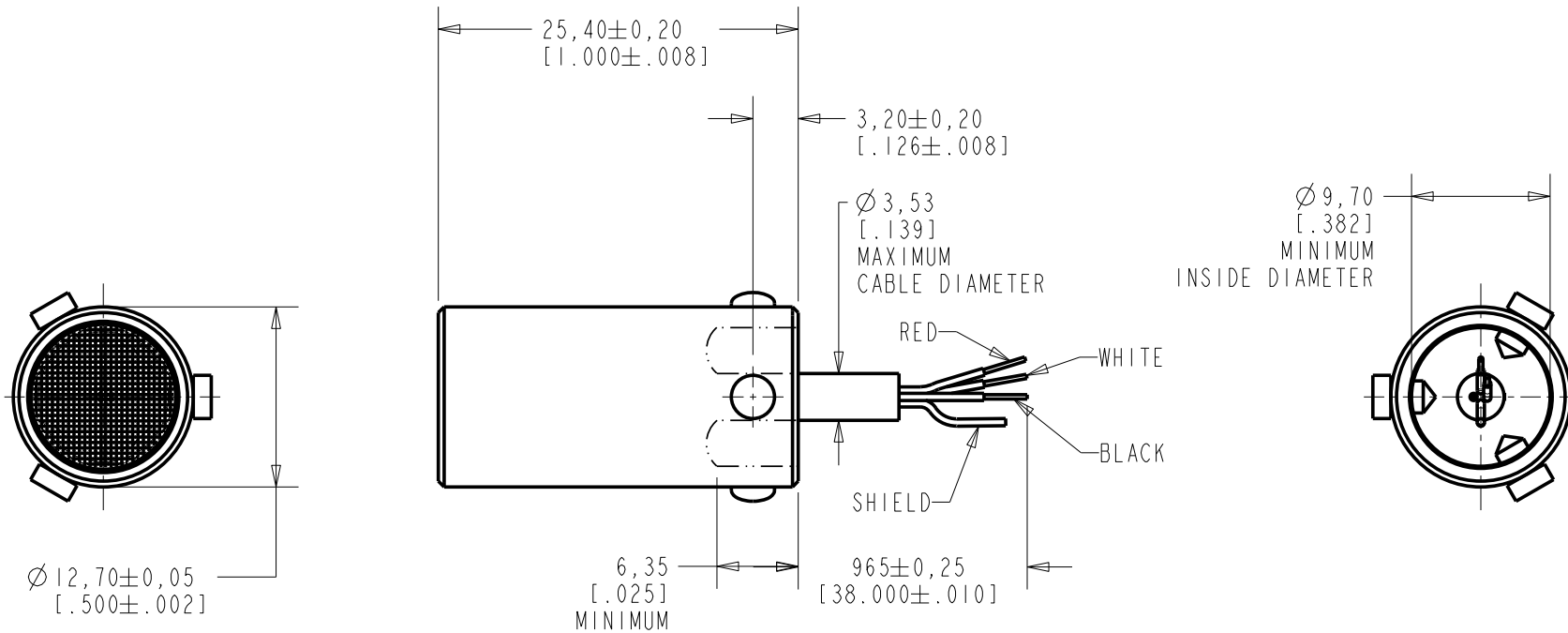


BL-21994-000
SHT 1.1



NOMINAL WEIGHT
27.0 GRAMS

DIMENSIONS IN MILLIMETERS [INCHES]

Revision	C.O. #	Implementation Date	RELEASE LEVEL	REVISION
C	MI0103141	11-09-09	Active	C
B	MI0103202	10-16-09		
A	MI0101208	10-30-06		

SCALE:	1:1		DR. BY	DATE
DO NOT SCALE DRAWING			MMM	10-30-06
TITLE:	MICROPHONE	BL-21994-000	GJP	11-6-06
	OUTLINE DRAWING	SHT 1.1	APP. BY	DATE
			GJP	11-6-06

KNOWLES ELECTRONICS
ITASCA, ILLINOIS U.S.A.

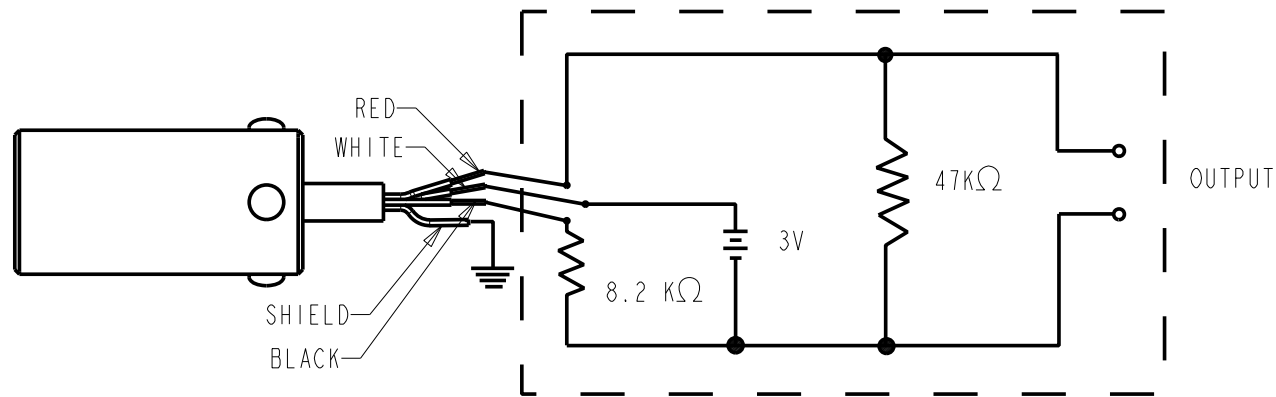
8000 --- --- --- -7.5 +4.5
 10000 --- --- --- --- +3.5

NOTES:

I. CASE CONNECTED TO NEGATIVE TERMINAL.

DC SUPPLY	BATTERY CURRENT DRAIN	"A" WEIGHTED NOISE (1 kHz EQUIV. SPL) IN 3 WIRE MODEL	OUTPUT IMPEDANCE OHMS			OUTER HOUSING TO SHIELD	
			MIN.	NOM.	MAX.	MIN.	MAX.
3.0 V	160 μ A MAX.	34 dB MAX.	---	4000	---	---	3.0 Ω

TEST CONDITIONS



Revision	C.O. #	Implementation Date	RELEASE LEVEL	REVISION
C	MI0103141	11-09-09	Active	C
B	MI0103202	10-16-09		
A	MI0101208	10-30-06		

KNOWLES ELECTRONICS
 ITASCA, ILLINOIS U.S.A.

WHEN TEST LIMITS ARE USED TO ESTABLISH INCOMING INSPECTION ACCEPTANCE/REJECTION CRITERIA, CORRELATION OF TEST EQUIPMENT WITH KNOWLES IS ALSO REQUIRED FOR ELIMINATION OF EQUIPMENT AND TEST METHOD VARIATION

TITLE: **MICROPHONE**
 PERFORMANCE SPECIFICATION

BL-21994-000
 SHT 2.1

DR. BY	DATE
MMM	10-30-06
CK. BY	DATE
GJP	11-6-06
APP. BY	DATE
GJP	11-6-06

X-ON Electronics

Largest Supplier of Electrical and Electronic Components

Click to view similar products for [Microphones](#) category:

Click to view products by [Knowles](#) manufacturer:

Other Similar products are found below :

[BCM4013OLFC-42-JST-ZHR-2](#) [TO38-30702-B20](#) [SPM04C-38/1186-T/R](#) [BCM4013OSBC-42 LF](#) [TOW-1242P-R](#) [BCM9745-44](#) [BCM9765](#)
[BCM9767P](#) [LD-MC-6035](#) [PMOF-9745S-42UQ](#) [ROM-2235L-HD-R](#) [DUM-4546L-C3310-R](#) [CMC-4015-130T](#) [CMC-6050-40T](#) [CMC-6035-](#)
[130T](#) [CMC-6015-47P](#) [BCM9745P-44](#) [BCM9767-42](#) [254-ECM644-RO](#) [LD-MC-4011](#) [LD-MC-6027](#) [LD-MC-6035W](#) [LD-MC-9765P](#) [LD-](#)
[MC-9765W](#) [FG-23629-D65](#) [254-FP270-RO](#) [BCM9765P-44](#) [CMC-5042PF-AC](#) [CMC-6010-42L100](#) [CMC-9745-L100](#) [CMC-3015-44T](#) [CMC-](#)
[4015-25T](#) [CMC-6013-38T](#) [CMC-6022-37L100](#) [CMC-6027-24T](#) [CMC-6027-32T](#) [GMI4522P-2C-30db](#) [GMI4522P-2C-50db](#) [GMI4522P-2C-](#)
[52db](#) [GMI6027P-2C66DB](#) [GMA3526H10-B26](#) [GMA4030H11-F26](#) [GMI4015-32DB](#) [GMI4015-40DB](#) [GMI4015P-36DB](#) [GMI4015P-46DB](#)
[GMI4015P-54DB](#) [GMI4015P-58DB](#) [GMI4022U-2C32DB](#) [GMI4022U-2C34DB](#)