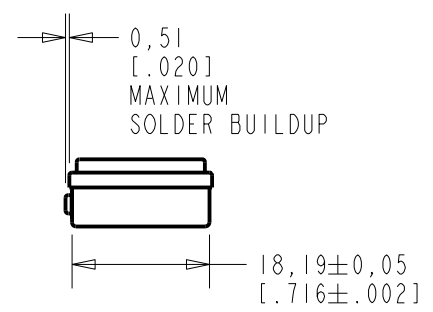
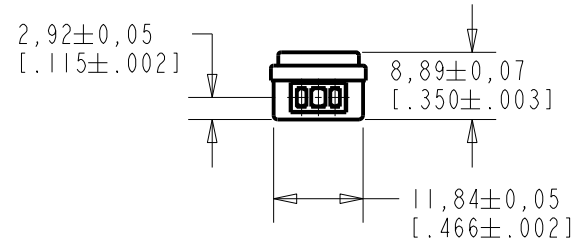
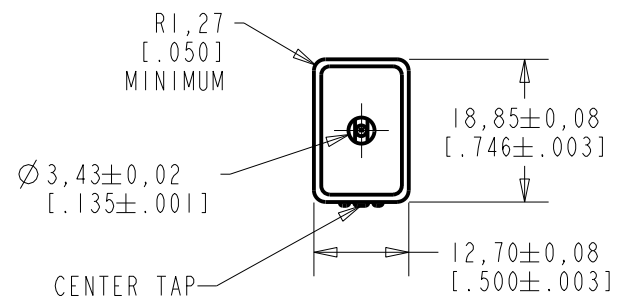


**BS-21740-000**  
SHT 1.1



SCALE 1:1  
NOMINAL WEIGHT  
5.1 GRAMS  
DIMENSIONS IN MILLIMETERS [INCHES]

Revision	C.O. #	Implementation Date	RELEASE LEVEL	REVISION
C	MI0104194	6-24-11	<b>Active</b>	<b>C</b>
B	MI0102962	7-30-09		
A	MI0101091	5-16-06		

SCALE: 1:1		DR. BY MMM	DATE 5-16-06
DO NOT SCALE DRAWING			
TITLE: <b>BEEPER - SPEAKER</b>		GJP 6-6-06	
<b>BS-21740-000</b>		APP. BY GJP	
OUTLINE DRAWING		DATE 6-6-06	
<b>SHT 1.1</b>		Rev: B	

**KNOWLES ELECTRONICS**  
ITASCA, ILLINOIS U.S.A.

NOTES:

1. SENSITIVITY IN dB RELATIVE TO .0002 MICROBAR ( $2 \times 10^{-5}$  N/m<sup>2</sup>) FOR THE CONDITIONS SHOWN IN "2 & 3" BELOW.
2. MEASUREMENTS MADE WITH UNIT MOUNTED FLUSH IN AN "INFINITE" BAFFLE FACING A FREE FIELD. A B & K 1" FREE FIELD MICROPHONE MOUNTED AT NORMAL INCIDENCE AT A DISTANCE 300mm FROM THE BAFFLE IS USED TO MONITOR THE SOUND PRESSURE. SEE FIG 1.
3. ELECTRICAL SIGNAL (ACROSS WINDINGS IN SERIES):  
 SOURCE RESISTANCE: <1 OHM  
 DC CURRENT: 0.0 mA  
 SIGNAL: 5.2 VOLTS PEAK-TO-PEAK SQUARE WAVE
4. NOMINAL IMPEDANCE (WINDINGS IN SERIES): 340 OHMS AT 1kHz
5. NOMINAL DC RESISTANCE (WINDINGS IN SERIES): 67 OHMS
6. SENSITIVITY:  
 85 dB MINIMUM AT SOME FREQUENCY BETWEEN 1800 AND 2200 Hz  
 83 dB MINIMUM AT SOME FREQUENCY BETWEEN 2800 AND 3200 Hz

NOTE: THE PEAKS OF OUTPUT MAY LIE JUST OUTSIDE THE FREQUENCY LIMITS.

Revision	C.O. #	Implementation Date	RELEASE LEVEL	REVISION
C	MI0104194	6-24-11	<b>Active</b>	<b>C</b>
B	MI0102962	7-30-09		
A	MI0101091	5-16-06		
WHEN TEST LIMITS ARE USED TO ESTABLISH INCOMING INSPECTION ACCEPTANCE/REJECTION CRITERIA, CORRELATION OF TEST EQUIPMENT WITH KNOWLES IS ALSO REQUIRED FOR ELIMINATION OF EQUIPMENT AND TEST METHOD VARIATION			DR. BY	DATE
			MMM	5-16-06
<b>TITLE: BEEPER - SPEAKER</b> PERFORMANCE SPECIFICATION			CK. BY	DATE
			GJP	6-6-06
<b>BS-21740-000</b> SHT 2.1			APP. BY	DATE
			GJP	6-6-06

**KNOWLES ELECTRONICS**  
 ITASCA, ILLINOIS U.S.A.

NOTES:

1. MEASUREMENTS MADE WITH 1000Ω RESISTANCE LOAD, AND 10 μBAR FIELD.
2. OUTPUT MEASURED BETWEEN OUTER TERMINAL PADS.

Revision	C.O. #	Implementation Date	RELEASE LEVEL	REVISION
C	MI0104194	6-24-11	<b>Active</b>	<b>C</b>
B	MI0102962	7-30-09		
A	MI0101091	5-16-06		

<b>KNOWLES ELECTRONICS</b> <b>ITASCA, ILLINOIS U.S.A.</b>	WHEN TEST LIMITS ARE USED TO ESTABLISH INCOMING INSPECTION ACCEPTANCE/REJECTION CRITERIA, CORRELATION OF TEST EQUIPMENT WITH KNOWLES IS ALSO REQUIRED FOR ELIMINATION OF EQUIPMENT AND TEST METHOD VARIATION		DR. BY	DATE
			MMM	5-16-06
			CK. BY	DATE
			GJP	6-6-06
TITLE:		<b>BEEPER - SPEAKER</b>	<b>BS-21740-000</b>	
		PERFORMANCE SPECIFICATION	<b>SHT 2.2</b>	
			APP. BY	DATE
			GJP	6-6-06

## X-ON Electronics

Largest Supplier of Electrical and Electronic Components

*Click to view similar products for [Speakers & Transducers](#) category:*

*Click to view products by [Knowles](#) manufacturer:*

Other Similar products are found below :

[FC-30814-P127](#) [PB-1220PE](#) [PB-2015PQ](#) [900-00001](#) [AB2025B-LW50-R](#) [SWFK-31736-000](#) [PT-2065FW](#) [PT-4175W](#) [AT-2830-TW-LW35-R](#)  
[ED-30761-000](#) [CI-30120-A42](#) [SMT-0440-T-2-R](#) [PB-0927PQ](#) [BF-7083-000](#) [BF-9778-000](#) [SMS2020-08H4.5](#) [LF](#) [BDT1717-08H6.5W56MLF](#)  
[BLS50-1-08H18.2B-03](#) [LF](#) [02094](#) [02097](#) [GSPK1003PN-8R0.2W-L100](#) [GSPK151103TN-8R0.2W](#) [GSPK2014035PN-8R0.5W-L100](#)  
[FS5353DS0830-H19.3](#) [TE082703-8](#) [XMLP040BD21F](#) [24520](#) [SMT-0540-S-2-R](#) [1450069](#) [9091653](#) [9091661](#) [IPS-G6000-5](#) [9090231](#)  
[FS50MS0820-H9.7](#) [FS4014-4-2W](#) [PBM4-13.B29R.A115.0663](#) [PBM4-13.B31R.A115.0663](#) [PBM4-13.B33R.A115.0663](#) [PBM4-](#)  
[13.B35R.A115.0663](#) [A-10-6-BG360-HD1Z-GA-M4Z-ZW](#) [A-10-6-BG410-HD1Z-AA-M4Z-ZW](#) [A-10-6-BG410-HD1Z-FC-AGZ-ZW](#) [A-10-6-](#)  
[BG410-HD1Z-GA-M4Z-ZW](#) [A-10-6-BG310-HD1Z-AA-AGZ-ZW](#) [A-10-6-BG310-HD1Z-AA-M4Z-ZW](#) [A-10-6-BG310-HD1Z-GA-M4Z-ZW](#)  
[A-10-6-BG316-HD1Z-AA-AGZ-ZW](#) [A-10-6-BG316-HD1Z-AA-M4Z-ZW](#) [A-10-6-BG325-HD1Z-AA-AGZ-ZW](#) [A-10-6-BG325-HD1Z-AA-](#)  
[M4Z-ZW](#)