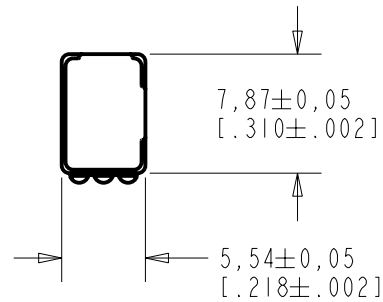
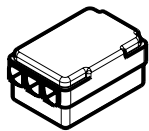
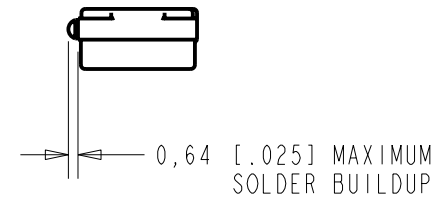
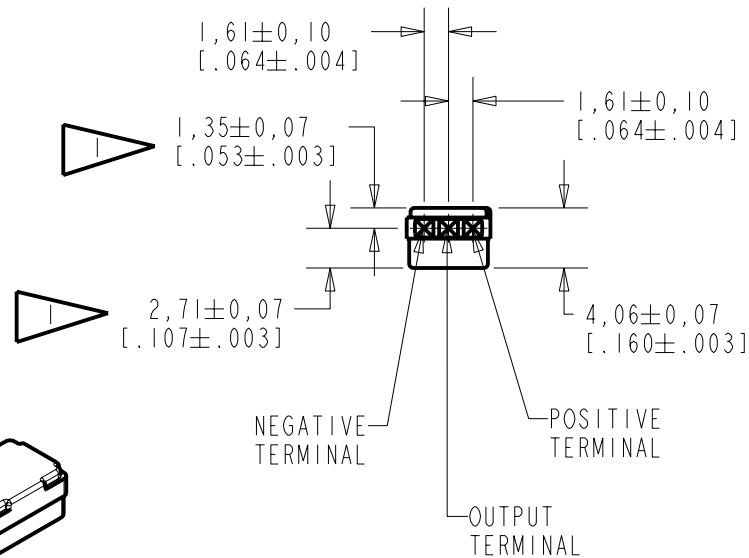


BU-21771-000
SHT 1.1



NOTE:

LOCATED FROM TWO SURFACES FOR CUSTOMER CONVENIENCE ONLY APPLICABLE FROM ONE SURFACE, NOT TO BE USED TOGETHER. HORIZONTAL LOCATION FOR TERMINAL CENTERED TO $\pm 0,17$ [0.007].



NOMINAL WEIGHT
.28 GRAM

DIMENSIONS IN MILLIMETERS [INCHES]

Revision	C.O. #	Implementation Date	RELEASE LEVEL	REVISION
B	MI0101515	7-16-07	Released	B
A	MI0101175	9-13-06		

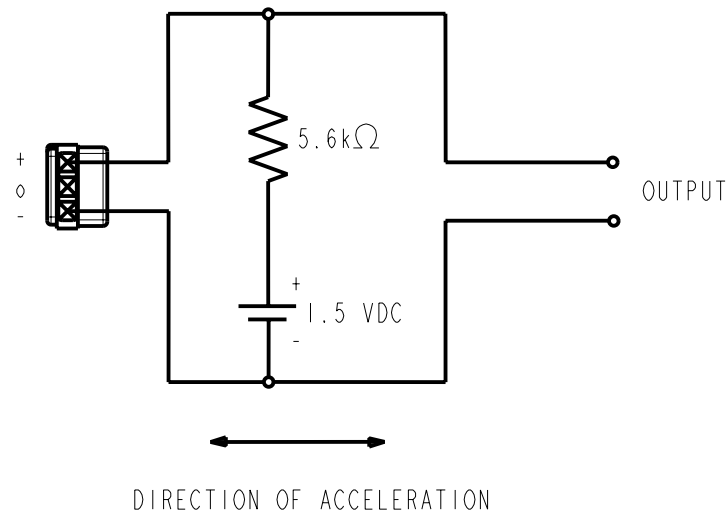
SCALE: 2:1		DR. BY	DATE
DO NOT SCALE DRAWING		AB	9-13-06
TITLE: VIBRATION TRANSDUCER		CK. BY	DATE
OUTLINE DRAWING		GJP	9-18-06
BU-21771-000		APP. BY	DATE
SHT 1.1		GJP	9-18-06

KNOWLES ELECTRONICS
ITASCA, ILLINOIS U.S.A.

1. ALL DATA MEASURED WITH CIRCUIT CONFIGURATION SHOWN BELOW.
 2. CASE CONNECTED TO NEGATIVE TERMINAL.

DC SUPPLY	BATTERY CURRENT DRAIN	"A" WEIGHTED NOISE (RE 1.0V)	OUTPUT IMPEDANCE OHMS (AT 1 kHz)		
			MIN.	NOM.	MAX.
1.5 V	50 μ A MAX.	-103 dB MAX.	4900	5200	5500

3. TEST CONDITIONS:



Revision	C.O. #	Implementation Date	RELEASE LEVEL	REVISION
B	MI0101515	7-16-07	Released	B
A	MI0101175	9-13-06		

KNOWLES ELECTRONICS
 ITASCA, ILLINOIS U.S.A.

WHEN TEST LIMITS ARE USED TO ESTABLISH INCOMING INSPECTION ACCEPTANCE/REJECTION CRITERIA, CORRELATION OF TEST EQUIPMENT WITH KNOWLES IS ALSO REQUIRED FOR ELIMINATION OF EQUIPMENT AND TEST METHOD VARIATION

TITLE: **VIBRATION TRANSDUCER** BU-21771-000
 PERFORMANCE SPECIFICATION SHT 2.1

DR. BY	DATE
AB	9-13-06
CK. BY	DATE
GJP	9-18-06
APP. BY	DATE
GJP	9-18-06

X-ON Electronics

Largest Supplier of Electrical and Electronic Components

Click to view similar products for [Vibration Sensors](#) category:

Click to view products by [Knowles](#) manufacturer:

Other Similar products are found below :

[D7H-A1](#) [SCA1000-N1000070-004](#) [LDTC-VERTICAL](#) [1005939-1](#) [1005940-1](#) [1007158-1](#) [1767](#) [3-1004346-0](#) [1005935-1](#) [1006015-1](#) [2384](#)
[1-1002608-0](#) [1-1003745-0](#) [1-1002150-0](#) [1-1002785-1](#) [1-1002786-1](#) [1-1002908-0](#) [1-1004346-0](#) [D7A1](#) [D7A2](#) [VBS040100](#) [VBS061100](#)
[VBS062100T](#) [SEN-09197](#) [D7S-A0001](#) [4081](#) [PCH420V-M12-HZ](#) [SR-3065W](#) [VS-BV203-B](#) [VS-JV10A-K03](#) [VS-JV10A](#) [VS-JV10A-K02](#)
[VS-JV10A-K04](#) [BU-21771-000](#) [BU-23173-000](#) [PKGS-00GXP1-R](#) [D6B-2](#) [D7E-1](#) [D7E-2](#) [29132](#) [605-00004](#) [RBS100602](#) [SEN-09196](#) [SEN-](#)
[09198](#) [VBS040200T](#) [3-1004347-0](#) [LDT1-028K](#) [1-1004347-0](#) [1-1003744-0](#) [1-1004696-0](#)