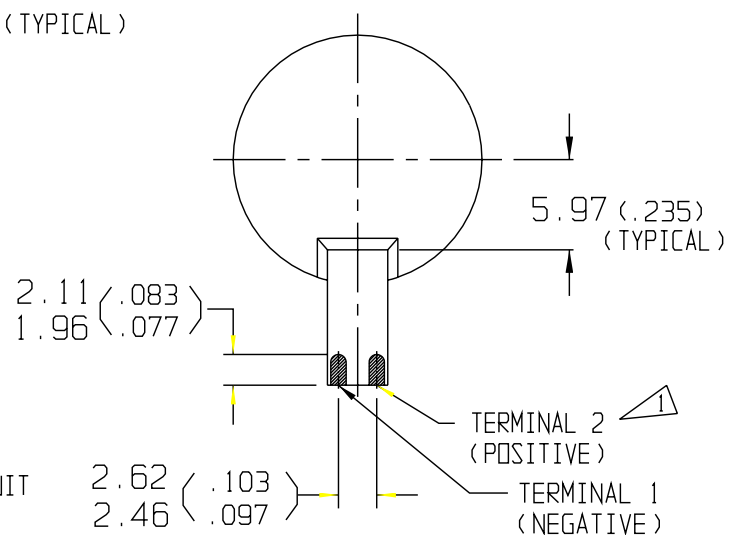
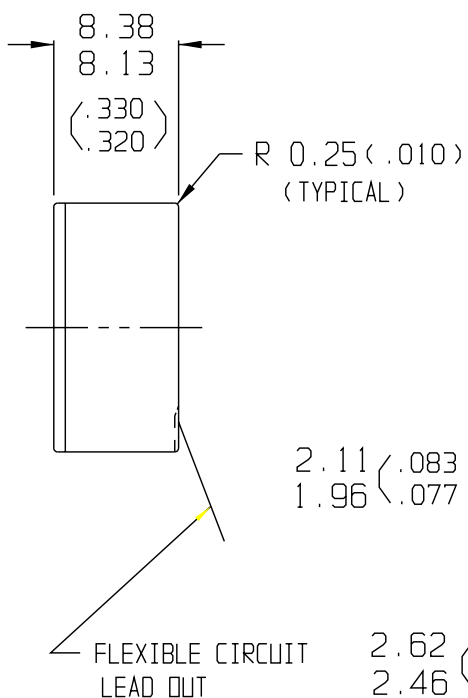
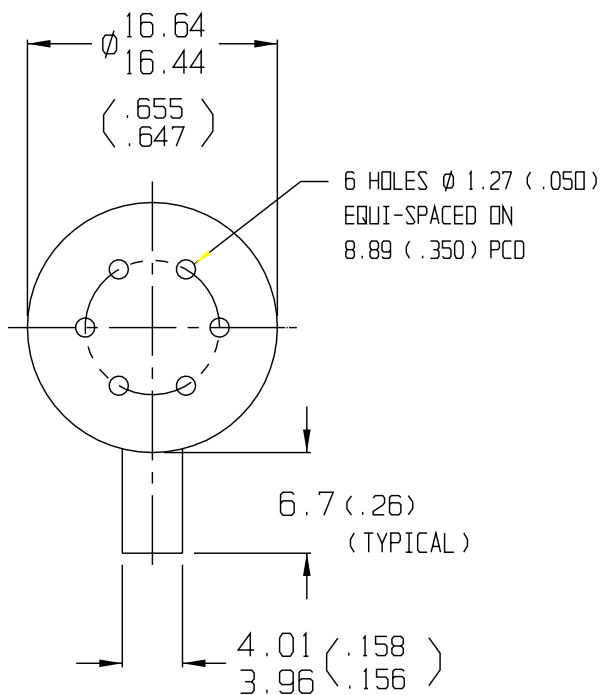


CM-23152-000

SHT 1.1

NOTE:

1 A POSITIVE GOING VOLTAGE AT TERMINAL 2  
RELATIVE TO TERMINAL 1 CAUSES AN INCREASE  
IN PRESSURE AT THE SOUND OUTLETS.



NOMINAL WEIGHT  
1.5 GRAMS

DIMENSIONS IN MILLIMETERS (INCHES)

ISSUE
B

KNOWLES ELECTRONICS

KNOWLES ELECTRONICS, INC., ITASCA, ILLINOIS U.S.A.

KNOWLES ELECTRONICS, CO., BURGESS HILL, SUSSEX, ENGLAND

SCALE: 2:1

DO NOT SCALE DRAWING

I

TITLE: EARPIECE  
OUTLINE DRAWING

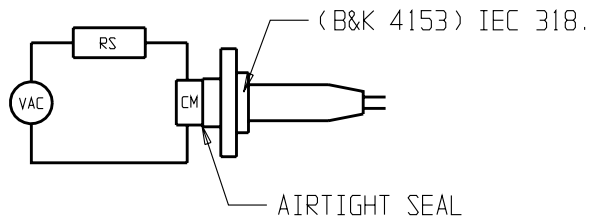
CM-23152-000  
SHT 1.1

DR. BY	DATE
AB	1-4-06
CK. BY	DATE
GJP	1-8-06
APP. BY	DATE
GJP	1-8-06

4. THERE WILL BE NO BUZZ OR RATTLE WHEN DRIVEN AT MAXIMUM DRIVE ( SEE # 6 BELOW ) & SWEPT FROM 300 Hz TO 4 KHz.
5. RESPONSE AND DISTORTION MEASUREMENTS MADE USING ELECTRICAL CONDITIONS SHOWN BELOW.
6. INDIVIDUAL SPECIFICATIONS.

STD DRIVE		DISTORTION		1 kHz IMP. ( $\pm 15\%$ )	D.C. RES @ 20°C ( $\pm 10\%$ )	MAX DRIVE	
VAC RMS	RS OHMS	MAX. %	FREQ Hz			VAC RMS	RS OHMS
0.20	300	2	300	150	69	1.0	300

7. TEST CONDITIONS.



ISSUE
B

KNOWLES ELECTRONICS

KNOWLES ELECTRONICS, INC., ITASCA, ILLINOIS U.S.A.

When test limits are used to establish incoming inspection acceptance/rejection criteria, correlation of test equipment with Knowles is also required for elimination of equipment and test method variations.

DR. BY	DATE
AB	1-4-06

CK. BY	DATE
GJP	1-8-06

APP. BY	DATE
GJP	1-8-06

TITLE: **EARPIECE**  
PERFORMANCE SPECIFICATION

**CM-23152-000**  
SHT 2.1

I

## X-ON Electronics

Largest Supplier of Electrical and Electronic Components

*Click to view similar products for [Speakers & Transducers](#) category:*

*Click to view products by [Knowles](#) manufacturer:*

Other Similar products are found below :

[FC-30814-P127](#) [PB-1220PE](#) [PB-2015PQ](#) [900-00001](#) [AB2025B-LW50-R](#) [SWFK-31736-000](#) [PT-2065FW](#) [PT-4175W](#) [AT-2830-TW-LW35-R](#)  
[ED-30761-000](#) [CI-30120-A42](#) [SMT-0440-T-2-R](#) [PB-0927PQ](#) [BF-7083-000](#) [BF-9778-000](#) [SMS2020-08H4.5](#) [LF](#) [BDT1717-08H6.5W56MLF](#)  
[BLS50-1-08H18.2B-03](#) [LF](#) [02094](#) [02097](#) [GSPK1003PN-8R0.2W-L100](#) [GSPK151103TN-8R0.2W](#) [GSPK2014035PN-8R0.5W-L100](#)  
[FS5353DS0830-H19.3](#) [TE082703-8](#) [XMLP040BD21F](#) [24520](#) [SMT-0540-S-2-R](#) [1450069](#) [9091653](#) [9091661](#) [IPS-G6000-5](#) [9090231](#)  
[FS50MS0820-H9.7](#) [FS4014-4-2W](#) [PBM4-13.B29R.A115.0663](#) [PBM4-13.B31R.A115.0663](#) [PBM4-13.B33R.A115.0663](#) [PBM4-](#)  
[13.B35R.A115.0663](#) [A-10-6-BG360-HD1Z-GA-M4Z-ZW](#) [A-10-6-BG410-HD1Z-AA-M4Z-ZW](#) [A-10-6-BG410-HD1Z-FC-AGZ-ZW](#) [A-10-6-](#)  
[BG410-HD1Z-GA-M4Z-ZW](#) [A-10-6-BG310-HD1Z-AA-AGZ-ZW](#) [A-10-6-BG310-HD1Z-AA-M4Z-ZW](#) [A-10-6-BG310-HD1Z-GA-M4Z-ZW](#)  
[A-10-6-BG316-HD1Z-AA-AGZ-ZW](#) [A-10-6-BG316-HD1Z-AA-M4Z-ZW](#) [A-10-6-BG325-HD1Z-AA-AGZ-ZW](#) [A-10-6-BG325-HD1Z-AA-](#)  
[M4Z-ZW](#)