

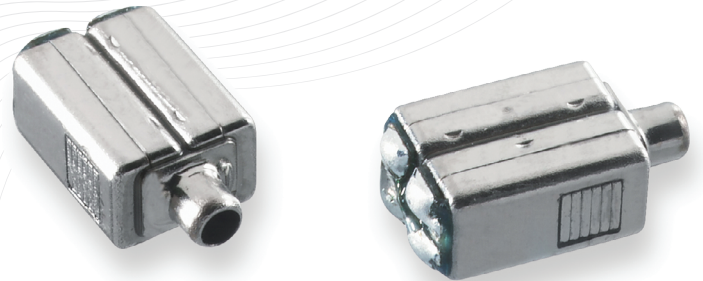
# Balanced Armature Driver

## DWFK-31785-000

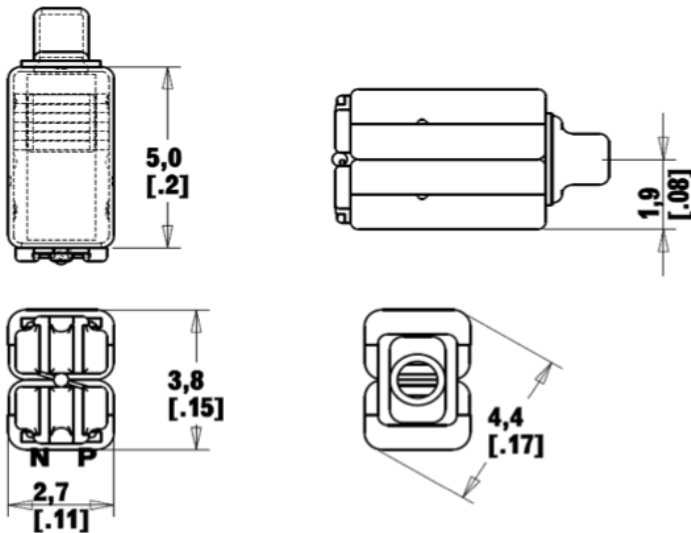
Dual Full-range

### Product Features:

- Small size
- More bass-oriented than TWFK
- High efficiency (SPL/size)
- RoHS compliant



### Outline Drawing mm (inches)



### Demonstrator Earphone Model Number

(standard sample in BOLD)

	without MIC	with MIC
Straight Cable	TC-32211-B101	<b>TC-32282-B101</b>

Ordering Information:  
Model Number: DWFK-31785-000

Phone: (630) 250-5100  
Fax: (630) 250-0575  
info@knowles.com

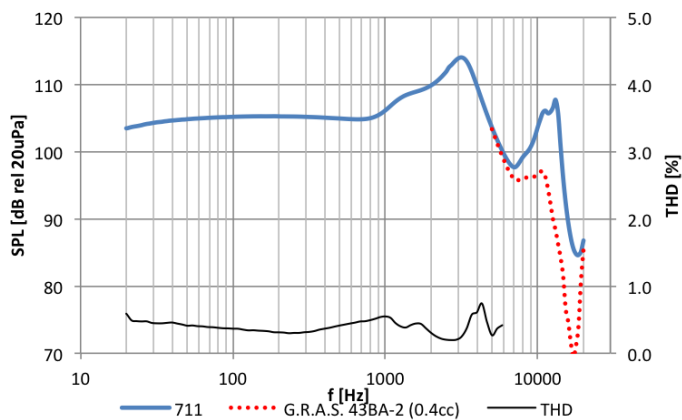
Knowles  
1151 Maplewood Drive  
Itasca, Illinois 60143

# Balanced Armature Driver

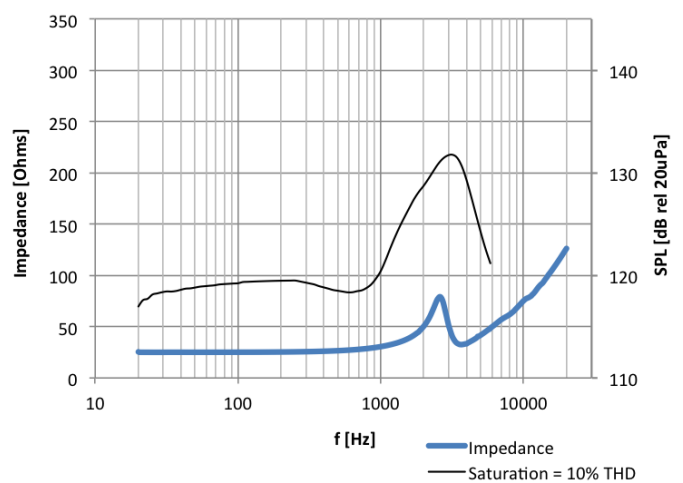
## DWFK-31785-000

Dual Full-range

### Frequency Response and THD



### Impedance and Saturation SPL



### Testing Conditions

- using 100mV rms drive signal
- IEC60318-4 (711) coupler
- ..... G.R.A.S. 43BA-2 (0.4cc)
- THD

### Typical Performance at 1kHz

Impedance	30	Ohms
Sensitivity to 100mV	106	dB SPL
Sensitivity to 1mW	111	dB SPL
Max SPL <sup>a</sup>	120	dB SPL
THD at 94dB SPL	0.4	%
THD at 100dB SPL	0.5	%

#### Footnotes:

<sup>a</sup> SPL at 10% THD

- Note:
- Ask about custom assembly options (lead wires, customer-specified materials, etc.)
  - To prevent heat damage, follow soldering guidelines in application note AN13 (knowles.com)
  - Measurement data for reference only. Refer to model specification for full dimensions and performance.

Ordering Information:  
Model Number: DWFK-31785-000

Phone: (630) 250-5100  
Fax: (630) 250-0575  
info@knowles.com

Knowles  
1151 Maplewood Drive  
Itasca, Illinois 60143

## X-ON Electronics

Largest Supplier of Electrical and Electronic Components

*Click to view similar products for [Speakers & Transducers](#) category:*

*Click to view products by [Knowles](#) manufacturer:*

Other Similar products are found below :

[FC-30814-P127](#) [PB-1220PE](#) [PB-2015PQ](#) [900-00001](#) [AB2025B-LW50-R](#) [SWFK-31736-000](#) [PT-2065FW](#) [PT-4175W](#) [AT-2830-TW-LW35-R](#)  
[ED-30761-000](#) [CI-30120-A42](#) [SMT-0440-T-2-R](#) [PB-0927PQ](#) [BF-7083-000](#) [BF-9778-000](#) [SMS2020-08H4.5](#) [LF](#) [BDT1717-08H6.5W56MLF](#)  
[BLS50-1-08H18.2B-03](#) [LF](#) [02094](#) [02097](#) [GSPK1003PN-8R0.2W-L100](#) [GSPK151103TN-8R0.2W](#) [GSPK2014035PN-8R0.5W-L100](#)  
[FS5353DS0830-H19.3](#) [TE082703-8](#) [XMLP040BD21F](#) [24520](#) [SMT-0540-S-2-R](#) [1450069](#) [9091653](#) [9091661](#) [IPS-G6000-5](#) [9090231](#)  
[FS50MS0820-H9.7](#) [FS4014-4-2W](#) [PBM4-13.B29R.A115.0663](#) [PBM4-13.B31R.A115.0663](#) [PBM4-13.B33R.A115.0663](#) [PBM4-](#)  
[13.B35R.A115.0663](#) [A-10-6-BG360-HD1Z-GA-M4Z-ZW](#) [A-10-6-BG410-HD1Z-AA-M4Z-ZW](#) [A-10-6-BG410-HD1Z-FC-AGZ-ZW](#) [A-10-6-](#)  
[BG410-HD1Z-GA-M4Z-ZW](#) [A-10-6-BG310-HD1Z-AA-AGZ-ZW](#) [A-10-6-BG310-HD1Z-AA-M4Z-ZW](#) [A-10-6-BG310-HD1Z-GA-M4Z-ZW](#)  
[A-10-6-BG316-HD1Z-AA-AGZ-ZW](#) [A-10-6-BG316-HD1Z-AA-M4Z-ZW](#) [A-10-6-BG325-HD1Z-AA-AGZ-ZW](#) [A-10-6-BG325-HD1Z-AA-](#)  
[M4Z-ZW](#)