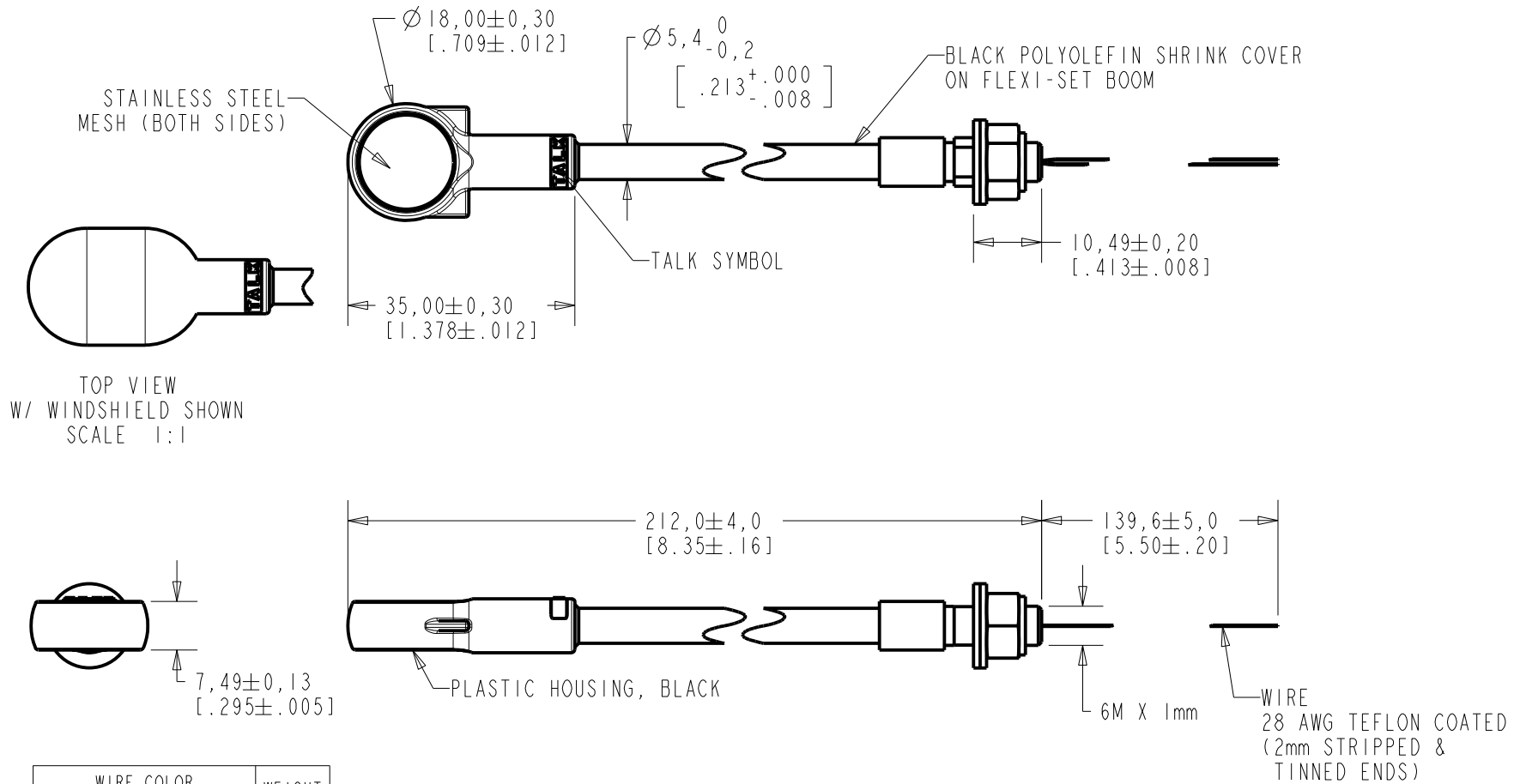


FB-EI-30026-000
SHT 1.1

NOTES:
1. LASER MARK, SEE WORK INSTRUCTION.



WIRE COLOR		WEIGHT GRAMS
+ve	OUTPUT	
RED	-	t.b.d.

DIMENSIONS IN MILLIMETERS [INCHES]

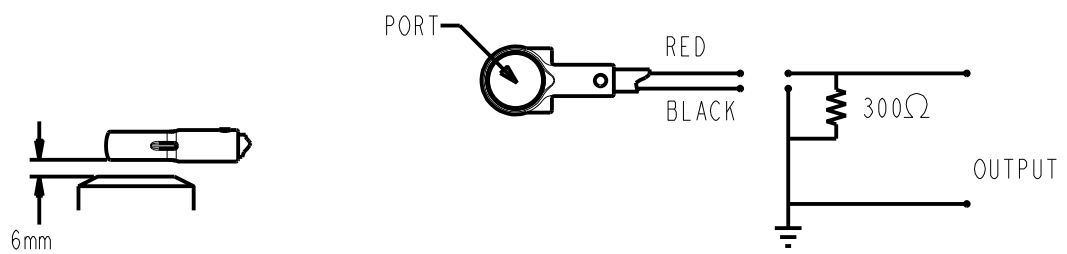
Revision	C.O. #	Implementation Date	RELEASE LEVEL	REVISION
H	C40101206	3-4-13	Active	H
G	C40100594	2-28-11		

KNOWLES ELECTRONICS
ITASCA, ILLINOIS U.S.A.

SCALE: 1:1	DR. BY: CRG	DATE: 4-28-08
DO NOT SCALE DRAWING	CK. BY: GJP	DATE: 8-4-06
TITLE: BOOM MICROPHONE	APP. BY: GJP	DATE: 8-4-06
OUTLINE DRAWING	FB-EI-30026-000 SHT 1.1	

1000	-92	-87	-82
1800	-88	-83	-78
3500	-95	-87.5	-78
4000	---	-86.5	---
4700	---	-76.5	-72

3. TEST CONDITIONS:
 HEAD OF BOOM EXPOSED TO 94 dB SPL SWEPT
 SOUND FIELD AT 6mm FROM VOICE APERTURE.
 ARTIFICIAL VOICE:
 B & k 4227 MOUTH SIMULATOR.
4. FOR MICROPHONE CAPSULE SPEC. SEE DRAWING BJ-28471-000 SHEET 2.1.



LEAD IDENTIFICATION
& TEST CIRCUIT

Revision	C.O. #	Implementation Date	RELEASE LEVEL	REVISION
H	C40101206	3-4-13	Active	H
G	C40100594	2-28-11		
WHEN TEST LIMITS ARE USED TO ESTABLISH INCOMING INSPECTION ACCEPTANCE/REJECTION CRITERIA, CORRELATION OF TEST EQUIPMENT WITH KNOWLES IS ALSO REQUIRED FOR ELIMINATION OF EQUIPMENT AND TEST METHOD VARIATION				
TITLE: BOOM MICROPHONE			FB-EI-30026-000	DR. BY: CRG DATE: 4-28-08
PERFORMANCE SPECIFICATION			SHT 2.1	CK. BY: GJP DATE: 8-4-06
				APP. BY: GJP DATE: 8-4-06

KNOWLES ELECTRONICS
ITASCA, ILLINOIS U.S.A.

X-ON Electronics

Largest Supplier of Electrical and Electronic Components

Click to view similar products for [Microphones](#) category:

Click to view products by [Knowles](#) manufacturer:

Other Similar products are found below :

[BCM4013OLFC-42-JST-ZHR-2](#) [TO38-30702-B20](#) [SPM04C-38/1186-T/R](#) [BCM4013OSBC-42 LF](#) [TOW-1242P-R](#) [BCM9745-44](#) [BCM9765](#)
[BCM9767P](#) [LD-MC-6035](#) [PMOF-9745S-42UQ](#) [ROM-2235L-HD-R](#) [DUM-4546L-C3310-R](#) [CMC-4015-130T](#) [CMC-6050-40T](#) [CMC-6035-](#)
[130T](#) [CMC-6015-47P](#) [BCM9745P-44](#) [BCM9767-42](#) [254-ECM644-RO](#) [LD-MC-4011](#) [LD-MC-6027](#) [LD-MC-6035W](#) [LD-MC-9765P](#) [LD-](#)
[MC-9765W](#) [FG-23629-D65](#) [254-FP270-RO](#) [BCM9765P-44](#) [CMC-5042PF-AC](#) [CMC-6010-42L100](#) [CMC-9745-L100](#) [CMC-3015-44T](#) [CMC-](#)
[4015-25T](#) [CMC-6013-38T](#) [CMC-6022-37L100](#) [CMC-6027-24T](#) [CMC-6027-32T](#) [GMI4522P-2C-30db](#) [GMI4522P-2C-50db](#) [GMI4522P-2C-](#)
[52db](#) [GMI6027P-2C66DB](#) [GMA3526H10-B26](#) [GMA4030H11-F26](#) [GMI4015-32DB](#) [GMI4015-40DB](#) [GMI4015P-36DB](#) [GMI4015P-46DB](#)
[GMI4015P-54DB](#) [GMI4015P-58DB](#) [GMI4022U-2C32DB](#) [GMI4022U-2C34DB](#)