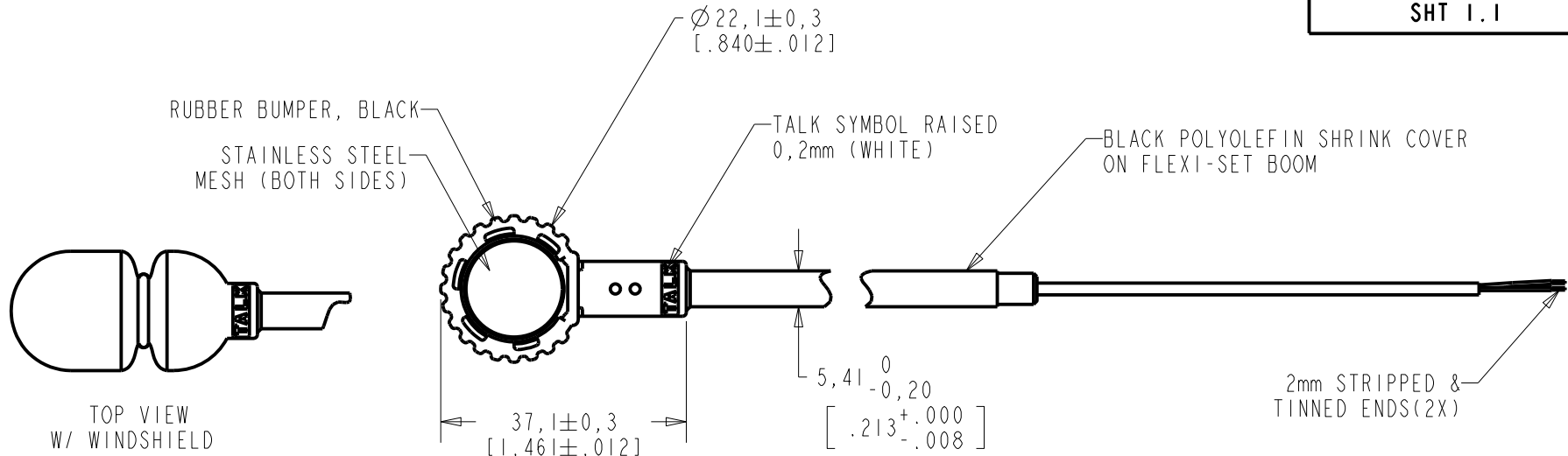
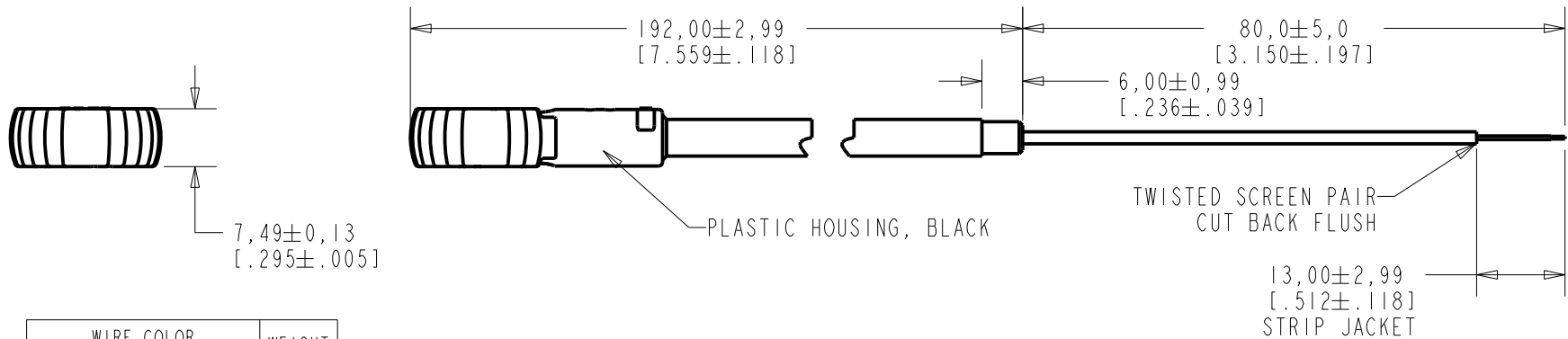


FB-EI-31552-000
SHT 1.1



TOP VIEW
W/ WINDSHIELD
SHOWN
SCALE 1:1



WIRE COLOR			WEIGHT GRAMS
+ve	-ve		
RED	GREEN	SHIELD	t.b.d.

DIMENSIONS IN MILLIMETERS [INCHES]

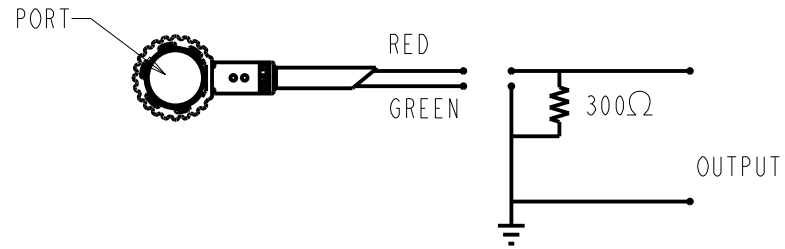
Revision	C.O. #	Implementation Date	RELEASE LEVEL	REVISION
B	C40101206	3-7-13	Active	B
A	C40101075	8-7-12		

SCALE:	1:1	DR. BY	DATE
DO NOT SCALE DRAWING		OO	8-7-12
TITLE: BOOM MICROPHONE FB-EI-31552-000		CK. BY	DATE
OUTLINE DRAWING		GJP	8-9-12
SHT 1.1		APP. BY	DATE
		GJP	8-9-12

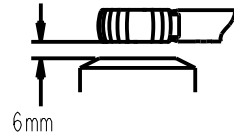
KNOWLES ELECTRONICS
ITASCA, ILLINOIS U.S.A.

1000	-92	-87.0	-82
1800	-88	-83.0	-78
3500	-95	-87.5	-78
4000	---	-86.5	---
4700	---	-76.5	-72

3. TEST CONDITIONS:
 HEAD OF BOOM EXPOSED TO 94 dBSPL SWEPT
 SOUND FIELD AT 6mm FROM VOICE APERTURE.
 ARTIFICIAL VOICE:
 B & k 4227 MOUTH SIMULATOR.
4. FOR MICROPHONE CAPSULE SPEC. SEE DRAWING BJ-28471-000 SHEET 2.1.
5. SURVIVES SUBMERSION IN 1m WATER FOR 30 MINUTES; SENSITIVITY WITHIN 3dB
 OF INITIAL SENSITIVITY AFTER DRIED FOR 30 MINUTES AT ROOM TEMPERATURE.



LEAD IDENTIFICATION
& TEST CIRCUIT



Revision	C.O. #	Implementation Date	RELEASE LEVEL	REVISION
B	C40101206	3-7-13	Active	B
A	C40101075	8-7-12		

KNOWLES ELECTRONICS
ITASCA, ILLINOIS U.S.A.

WHEN TEST LIMITS ARE USED TO ESTABLISH INCOMING INSPECTION ACCEPTANCE/REJECTION
 CRITERIA, CORRELATION OF TEST EQUIPMENT WITH KNOWLES IS ALSO REQUIRED FOR
 ELIMINATION OF EQUIPMENT AND TEST METHOD VARIATION

TITLE: **BOOM MICROPHONE** **FB-EI-31552-000**
PERFORMANCE SPECIFICATION **SHT 2.1**

DR. BY	DATE
OQ	8-7-12
CK. BY	DATE
GJP	8-9-12
APP. BY	DATE
GJP	8-9-12

X-ON Electronics

Largest Supplier of Electrical and Electronic Components

Click to view similar products for [Microphones](#) category:

Click to view products by [Knowles](#) manufacturer:

Other Similar products are found below :

[BCM4013OLFC-42-JST-ZHR-2](#) [TO38-30702-B20](#) [SPM04C-38/1186-T/R](#) [BCM4013OSBC-42 LF](#) [TOW-1242P-R](#) [BCM9745-44](#) [BCM9765](#)
[BCM9767P](#) [LD-MC-6035](#) [PMOF-9745S-42UQ](#) [ROM-2235L-HD-R](#) [DUM-4546L-C3310-R](#) [CMC-4015-130T](#) [CMC-6050-40T](#) [CMC-6035-](#)
[130T](#) [CMC-6015-47P](#) [BCM9745P-44](#) [BCM9767-42](#) [254-ECM644-RO](#) [LD-MC-4011](#) [LD-MC-6027](#) [LD-MC-6035W](#) [LD-MC-9765P](#) [LD-](#)
[MC-9765W](#) [FG-23629-D65](#) [254-FP270-RO](#) [BCM9765P-44](#) [CMC-5042PF-AC](#) [CMC-6010-42L100](#) [CMC-9745-L100](#) [CMC-3015-44T](#) [CMC-](#)
[4015-25T](#) [CMC-6013-38T](#) [CMC-6022-37L100](#) [CMC-6027-24T](#) [CMC-6027-32T](#) [GMI4522P-2C-30db](#) [GMI4522P-2C-50db](#) [GMI4522P-2C-](#)
[52db](#) [GMI6027P-2C66DB](#) [GMA3526H10-B26](#) [GMA4030H11-F26](#) [GMI4015-32DB](#) [GMI4015-40DB](#) [GMI4015P-36DB](#) [GMI4015P-46DB](#)
[GMI4015P-54DB](#) [GMI4015P-58DB](#) [GMI4022U-2C32DB](#) [GMI4022U-2C34DB](#)