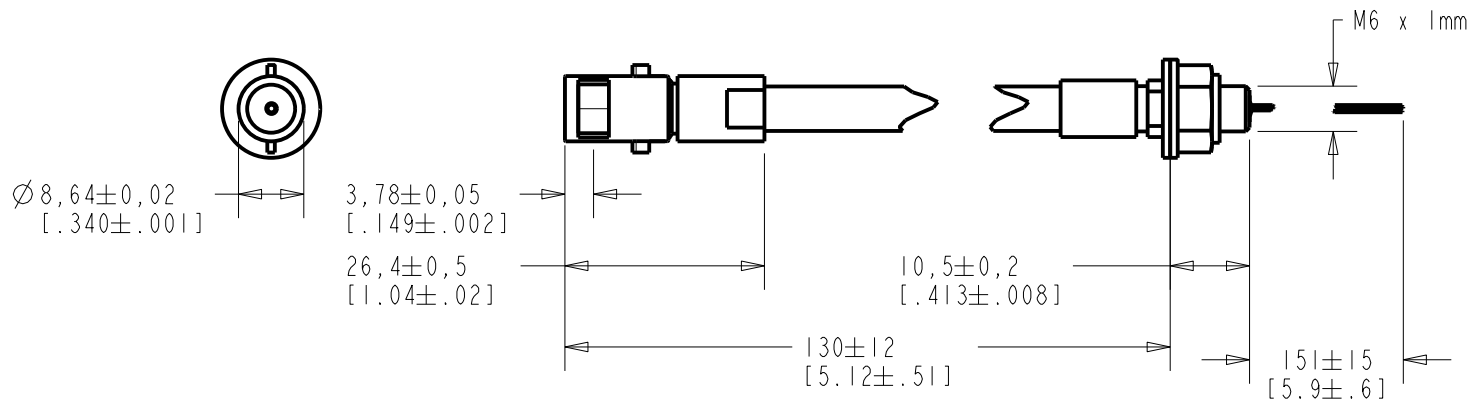
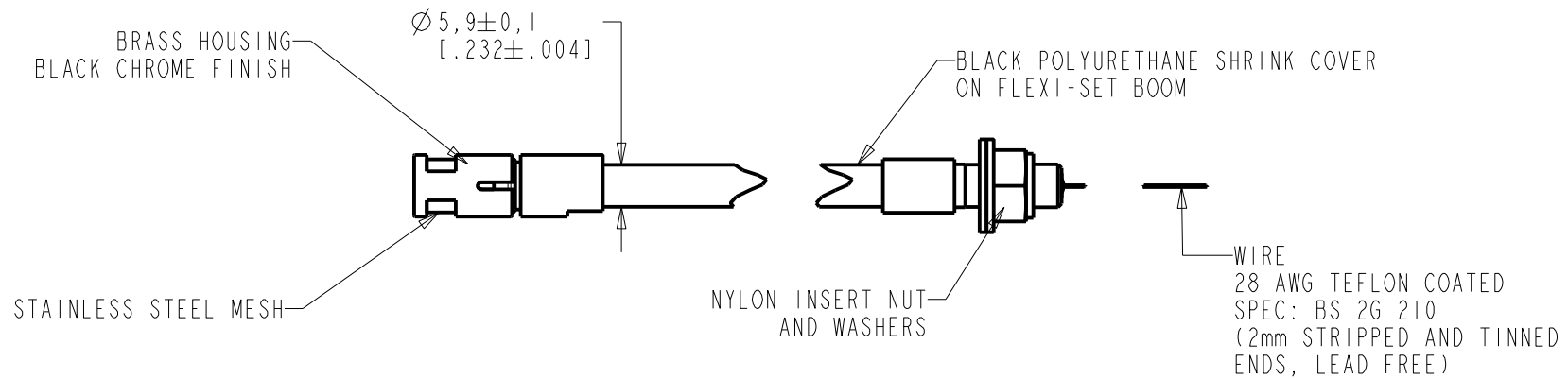


**FB-FO-25581-000**  
SHT 1.1



WIRE COLOR				WEIGHT GRAMS
+ve	OUTPUT	-ve	SCREEN	
RED	WHITE	BLACK	GREEN	29.1

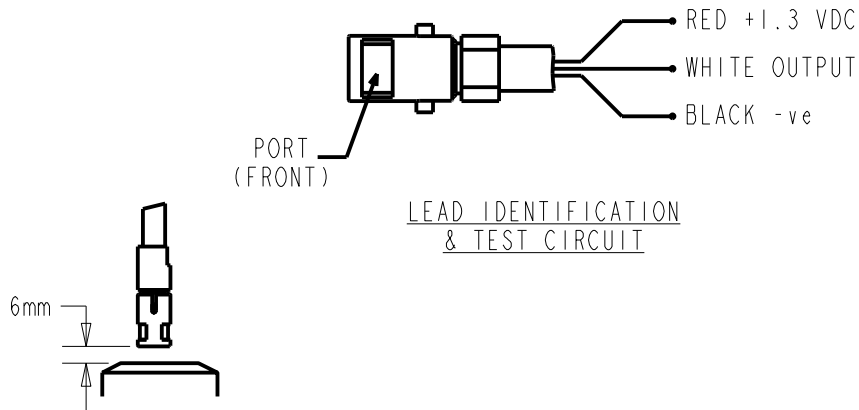
DIMENSIONS IN MILLIMETERS [INCHES]

**KNOWLES ELECTRONICS**  
ITASCA, ILLINOIS U.S.A.

Revision	C.O. #	Implementation Date	RELEASE LEVEL	REVISION
			<b>Active</b>	<b>D</b>
D	C40100632	4-21-11		

SCALE: <b>1:1</b>	DR. BY: SDZ	DATE: 5-22-07
DO NOT SCALE DRAWING	CK. BY: GJP	DATE: 6-05-07
TITLE: <b>BOOM MICROPHONE</b>	APP. BY: GJP	DATE: 6-05-07
<b>FB-FO-25581-000</b>		
OUTLINE DRAWING	<b>SHT 1.1</b>	

3. TEST CONDITIONS:  
 HEAD OF BOOM EXPOSED TO 94 dB SPL SWEPT  
 SOUND FIELD AT 6mm FROM VOICE APERTURE.  
 ARTIFICIAL VOICE:  
 B & K 4227 MOUTH SIMULATOR.
4. FOR MICROPHONE CAPSULE SPEC. SEE EK-23024-000 SHEET 2.1



Revision	C.O. #	Implementation Date	RELEASE LEVEL	REVISION
			<b>Active</b>	<b>D</b>
D	C40100632	4-21-11		

**KNOWLES ELECTRONICS**  
 ITASCA, ILLINOIS U.S.A.

WHEN TEST LIMITS ARE USED TO ESTABLISH INCOMING INSPECTION ACCEPTANCE/REJECTION CRITERIA, CORRELATION OF TEST EQUIPMENT WITH KNOWLES IS ALSO REQUIRED FOR ELIMINATION OF EQUIPMENT AND TEST METHOD VARIATION

TITLE: **BOOM MICROPHONE FB-FO-25581-000**  
 PERFORMANCE SPECIFICATION **SHT 2.1**

DR. BY	DATE
SDZ	5-22-07
CK. BY	DATE
GJP	6-05-07
APP. BY	DATE
GJP	6-05-07

## X-ON Electronics

Largest Supplier of Electrical and Electronic Components

*Click to view similar products for [Microphones](#) category:*

*Click to view products by [Knowles](#) manufacturer:*

Other Similar products are found below :

[BCM4013OLFC-42-JST-ZHR-2](#) [TO38-30702-B20](#) [SPM04C-38/1186-T/R](#) [BCM4013OSBC-42 LF](#) [TOW-1242P-R](#) [BCM9745-44](#) [BCM9765](#)  
[BCM9767P](#) [LD-MC-6035](#) [PMOF-9745S-42UQ](#) [ROM-2235L-HD-R](#) [DUM-4546L-C3310-R](#) [CMC-4015-130T](#) [CMC-6050-40T](#) [CMC-6035-](#)  
[130T](#) [CMC-6015-47P](#) [BCM9745P-44](#) [BCM9767-42](#) [254-ECM644-RO](#) [LD-MC-4011](#) [LD-MC-6027](#) [LD-MC-6035W](#) [LD-MC-9765P](#) [LD-](#)  
[MC-9765W](#) [FG-23629-D65](#) [254-FP270-RO](#) [BCM9765P-44](#) [CMC-5042PF-AC](#) [CMC-6010-42L100](#) [CMC-9745-L100](#) [CMC-3015-44T](#) [CMC-](#)  
[4015-25T](#) [CMC-6013-38T](#) [CMC-6022-37L100](#) [CMC-6027-24T](#) [CMC-6027-32T](#) [GMI4522P-2C-30db](#) [GMI4522P-2C-50db](#) [GMI4522P-2C-](#)  
[52db](#) [GMI6027P-2C66DB](#) [GMA3526H10-B26](#) [GMA4030H11-F26](#) [GMI4015-32DB](#) [GMI4015-40DB](#) [GMI4015P-36DB](#) [GMI4015P-46DB](#)  
[GMI4015P-54DB](#) [GMI4015P-58DB](#) [GMI4022U-2C32DB](#) [GMI4022U-2C34DB](#)