

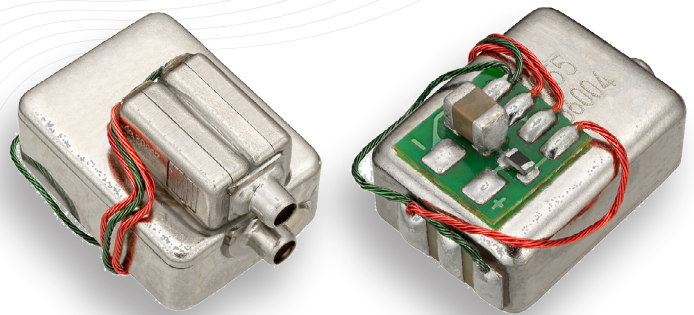
Balanced Armature Driver

GK-31732-000

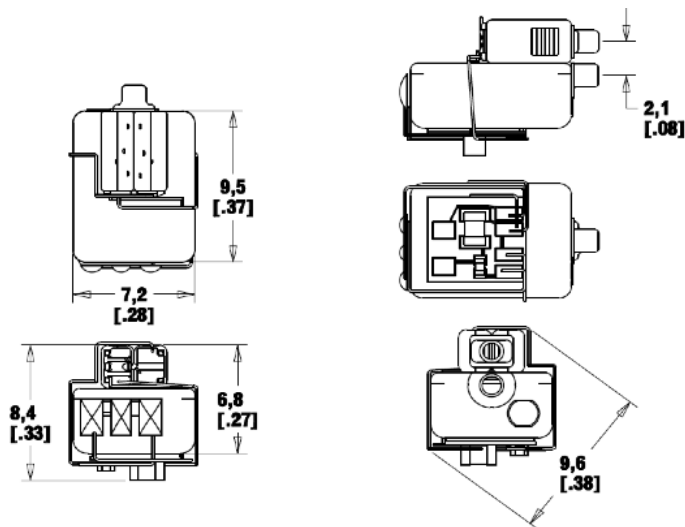
3-Way Woofer / Midrange / Tweeter

Product Features:

- Premium bandwidth
- High Output SPL
- Customization possible (crossover, damping, porting, etc.)
- RoHS compliant



Outline Drawing mm (inches)



Demonstrator Earphone Model Number

(standard sample in BOLD)

	without MIC	with MIC
Straight Cable	TC-7178-000	None

Ordering Information:
Model Number: GK-31732-000

Phone: (630) 250-5100
Fax: (630) 250-0575
info@knowles.com

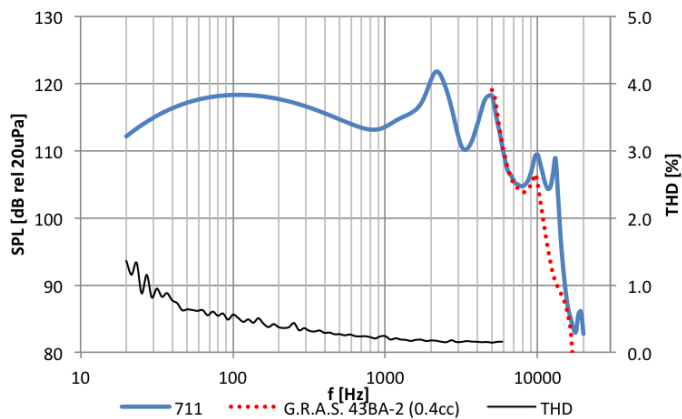
Knowles
1151 Maplewood Drive
Itasca, Illinois 60143

Balanced Armature Driver

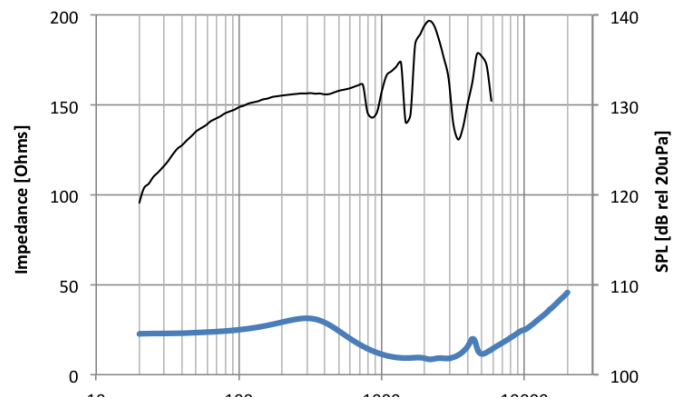
GK-31732-000

3-Way Woofer / Midrange / Tweeter

Frequency Response and THD



Impedance and Saturation SPL



Testing Conditions

using 100mV rms drive signal

— IEC60318-4 (711) coupler with DB2012 adapter

..... G.R.A.S. 43BA-2 (0.4cc) with baffle adapter

— THD

Typical Performance at 1kHz

Impedance	11	Ohms
Sensitivity to 100mV	113	dB SPL
Sensitivity to 1mW	113	dB SPL
Max SPL ^a	131	dB SPL
THD at 94dB SPL	0.1	%
THD at 100dB SPL	0.2	%

Footnotes:

^a SPL at 10% THD

Note: • Ask about custom assembly options (lead wires, customer-specified materials, etc.)
• To prevent heat damage, follow soldering guidelines in application note AN13 (knowles.com)
• Measurement data for reference only. Refer to model specification for full dimensions and performance.

Ordering Information:
Model Number: GK-31732-000

Phone: (630) 250-5100
Fax: (630) 250-0575
info@knowles.com

Knowles
1151 Maplewood Drive
Itasca, Illinois 60143

X-ON Electronics

Largest Supplier of Electrical and Electronic Components

Click to view similar products for [Speakers & Transducers](#) category:

Click to view products by [Knowles](#) manufacturer:

Other Similar products are found below :

[FC-30814-P127](#) [PB-1220PE](#) [PB-2015PQ](#) [900-00001](#) [AB2025B-LW50-R](#) [SWFK-31736-000](#) [PT-2065FW](#) [PT-4175W](#) [AT-2830-TW-LW35-R](#)
[ED-30761-000](#) [CI-30120-A42](#) [SMT-0440-T-2-R](#) [PB-0927PQ](#) [BF-7083-000](#) [BF-9778-000](#) [SMS2020-08H4.5](#) [LF](#) [BDT1717-08H6.5W56MLF](#)
[BLS50-1-08H18.2B-03](#) [LF](#) [02094](#) [02097](#) [GSPK1003PN-8R0.2W-L100](#) [GSPK151103TN-8R0.2W](#) [GSPK2014035PN-8R0.5W-L100](#)
[FS5353DS0830-H19.3](#) [TE082703-8](#) [XMLP040BD21F](#) [24520](#) [SMT-0540-S-2-R](#) [1450069](#) [9091653](#) [9091661](#) [IPS-G6000-5](#) [9090231](#)
[FS50MS0820-H9.7](#) [FS4014-4-2W](#) [PBM4-13.B29R.A115.0663](#) [PBM4-13.B31R.A115.0663](#) [PBM4-13.B33R.A115.0663](#) [PBM4-](#)
[13.B35R.A115.0663](#) [A-10-6-BG360-HD1Z-GA-M4Z-ZW](#) [A-10-6-BG410-HD1Z-AA-M4Z-ZW](#) [A-10-6-BG410-HD1Z-FC-AGZ-ZW](#) [A-10-6-](#)
[BG410-HD1Z-GA-M4Z-ZW](#) [A-10-6-BG310-HD1Z-AA-AGZ-ZW](#) [A-10-6-BG310-HD1Z-AA-M4Z-ZW](#) [A-10-6-BG310-HD1Z-GA-M4Z-ZW](#)
[A-10-6-BG316-HD1Z-AA-AGZ-ZW](#) [A-10-6-BG316-HD1Z-AA-M4Z-ZW](#) [A-10-6-BG325-HD1Z-AA-AGZ-ZW](#) [A-10-6-BG325-HD1Z-AA-](#)
[M4Z-ZW](#)