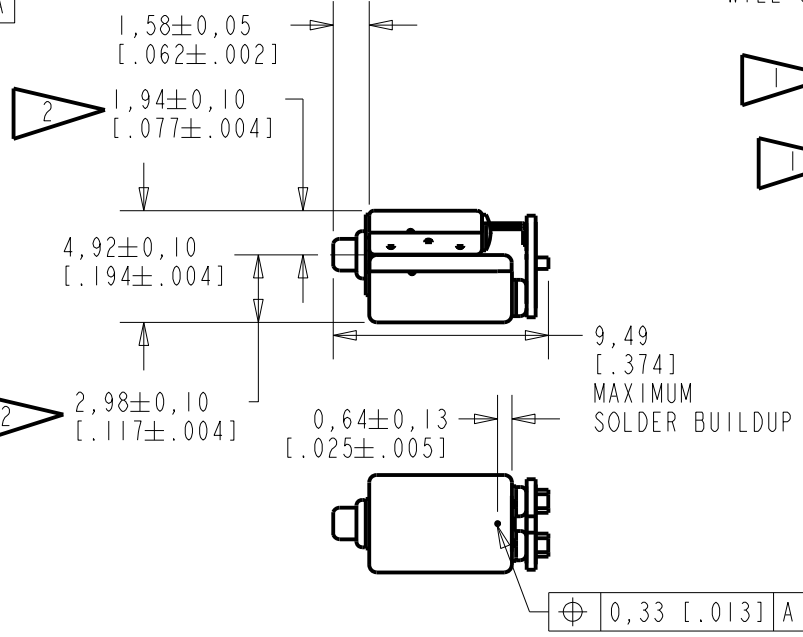
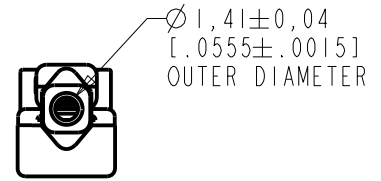
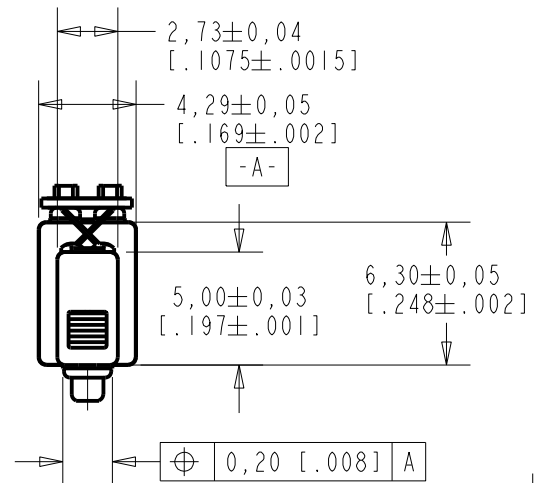
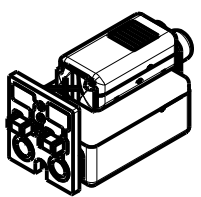
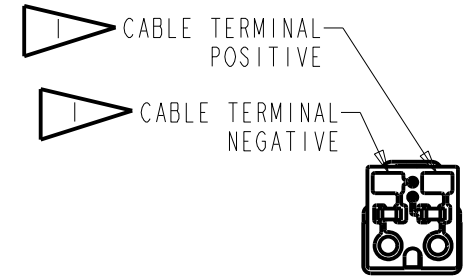


**GO-30710-000**  
SHT 1.1



NOTES:

- 1 A POSITIVE GOING VOLTAGE AT THE POSITIVE TERMINAL RELATIVE TO THE NEGATIVE TERMINAL CAUSES A DECREASE IN PRESSURE AT THE SOUND OUTLETS.
- 2 LOCATED FROM TWO SURFACES FOR CUSTOMER CONVENIENCE. ONLY APPLICABLE FROM ONE SURFACE, NOT TO BE USED TOGETHER.
- 3 IT IS IMPORTANT TO KEEP HOLE CLEAN AND CLEAR AT ALL TIMES. CLOGGING THE HOLE WILL CAUSE PERFORMANCE CHANGES.



NOMINAL WEIGHT  
.43 GRAM

DIMENSIONS IN MILLIMETERS [INCHES]

| Revision | C.O. #    | Implementation Date | RELEASE LEVEL | REVISION |
|----------|-----------|---------------------|---------------|----------|
| B        | C10112167 | 2-18-11             | <b>Active</b> | <b>B</b> |
| A        | C1011210  | 6-11-10             |               |          |

|   |  |                      |               |
|---|--|----------------------|---------------|
| SCALE: <b>3:1</b>                         |  | DR. BY: LSY          | DATE: 6-11-10 |
| TITLE: <b>RECEIVER</b><br>OUTLINE DRAWING |  | DO NOT SCALE DRAWING |               |
|   |  | CK. BY: GJP          |               |
| TITLE: <b>RECEIVER</b><br>OUTLINE DRAWING |  | DATE: 6-17-10        |               |
|   |  | APP. BY: GJP         |               |
| TITLE: <b>RECEIVER</b><br>OUTLINE DRAWING |  | DATE: 6-17-10        |               |
|   |  | APP. BY: GJP         |               |

**KNOWLES ELECTRONICS**  
ITASCA, ILLINOIS U.S.A.

**GO-30710-000**  
SHT 1.1

|               |      |     |     |
|---------------|------|-----|-----|
| 6900 - 9600   | -7.0 | --- | --- |
| 10000 - 13000 | -6.0 | --- | --- |

TABLE 1

TEST CONDITIONS

|                        |                           |
|------------------------|---------------------------|
| NOMINAL SOURCE VOLTAGE | 0.146 V rms, 0 V DC BIAS  |
| SOURCE IMPEDANCE       | <1 Ohm                    |
| TUBING                 | 7 X 2 mm + 0.188cc CAVITY |
| COUPLER CAVITY         | IEC 60318-4 ("711")       |
| TEST STATION           | FCART                     |

TABLE 2

ELECTRICAL

|                    |                 |
|--------------------|-----------------|
| DC RESISTANCE      | 25.4 Ohms ± 10% |
| IMPEDANCE @ 500 Hz | 51.7 Ohms ± 15% |
| IMPEDANCE @ 1kHz   | 90.0 Ohms ± 15% |

TABLE 3

MAXIMUM TOTAL HARMONIC DISTORTION  
6% AT 1000 Hz AT 100 dB SPL

MECHANICAL

PORT LOCATION: 12S  
SOLDER TYPE: SAC305 (LEAD FREE)

TEMPERATURE:

OPERATING: SENSITIVITY AT 1K Hz WILL NOT VARY  
MORE THAN +1/-3 dB FROM 17°C TO 63°C.

STORAGE: -40°C TO 63°C.

ISOLATION: CASE WILL BE ELECTRICALLY ISOLATED FROM THE COIL CIRCUIT.

| Revision   | C.O. #    | Implementation Date | RELEASE LEVEL                         | REVISION |
|--|-----------|---------------------|---------------------------------------|----------|
| B  | C10112167 | 2-18-11             | <b>Active</b>                         | <b>B</b> |
| A  | C10111210 | 6-11-10             |                                       |          |
| WHEN TEST LIMITS ARE USED TO ESTABLISH INCOMING INSPECTION ACCEPTANCE/REJECTION CRITERIA, CORRELATION OF TEST EQUIPMENT WITH KNOWLES IS ALSO REQUIRED FOR ELIMINATION OF EQUIPMENT AND TEST METHOD VARIATION |           |                     | DR. BY                                | DATE     |
| <b>KNOWLES ELECTRONICS</b><br><b>ITASCA, ILLINOIS U.S.A.</b>   |           |                     | LSY                                   | 6-11-10  |
|  |           |                     | CK. BY                                | DATE     |
| <b>RECEIVER</b><br>PERFORMANCE SPECIFICATION   |           |                     | GJP                                   | 6-17-10  |
|  |           |                     | <b>CO-30710-000</b><br><b>SHT 2.1</b> |          |
|  |           |                     | GJP                                   | 6-17-10  |

## X-ON Electronics

Largest Supplier of Electrical and Electronic Components

*Click to view similar products for [Speakers & Transducers](#) category:*

*Click to view products by [Knowles](#) manufacturer:*

Other Similar products are found below :

[FC-30814-P127](#) [PB-1220PE](#) [PB-2015PQ](#) [900-00001](#) [AB2025B-LW50-R](#) [SWFK-31736-000](#) [PT-2065FW](#) [PT-4175W](#) [AT-2830-TW-LW35-R](#)  
[ED-30761-000](#) [CI-30120-A42](#) [SMT-0440-T-2-R](#) [PB-0927PQ](#) [BF-7083-000](#) [BF-9778-000](#) [SMS2020-08H4.5](#) [LF](#) [BDT1717-08H6.5W56MLF](#)  
[BLS50-1-08H18.2B-03](#) [LF](#) [02094](#) [02097](#) [GSPK1003PN-8R0.2W-L100](#) [GSPK151103TN-8R0.2W](#) [GSPK2014035PN-8R0.5W-L100](#)  
[FS5353DS0830-H19.3](#) [TE082703-8](#) [XMLP040BD21F](#) [24520](#) [SMT-0540-S-2-R](#) [1450069](#) [9091653](#) [9091661](#) [IPS-G6000-5](#) [9090231](#)  
[FS50MS0820-H9.7](#) [FS4014-4-2W](#) [PBM4-13.B29R.A115.0663](#) [PBM4-13.B31R.A115.0663](#) [PBM4-13.B33R.A115.0663](#) [PBM4-](#)  
[13.B35R.A115.0663](#) [A-10-6-BG360-HD1Z-GA-M4Z-ZW](#) [A-10-6-BG410-HD1Z-AA-M4Z-ZW](#) [A-10-6-BG410-HD1Z-FC-AGZ-ZW](#) [A-10-6-](#)  
[BG410-HD1Z-GA-M4Z-ZW](#) [A-10-6-BG310-HD1Z-AA-AGZ-ZW](#) [A-10-6-BG310-HD1Z-AA-M4Z-ZW](#) [A-10-6-BG310-HD1Z-GA-M4Z-ZW](#)  
[A-10-6-BG316-HD1Z-AA-AGZ-ZW](#) [A-10-6-BG316-HD1Z-AA-M4Z-ZW](#) [A-10-6-BG325-HD1Z-AA-AGZ-ZW](#) [A-10-6-BG325-HD1Z-AA-](#)  
[M4Z-ZW](#)