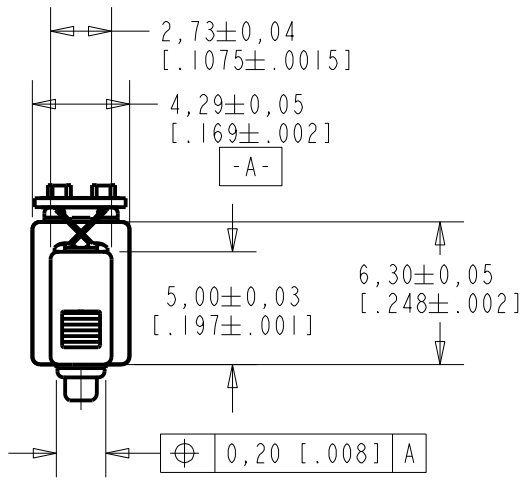


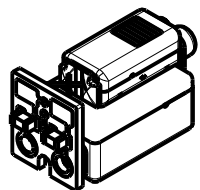
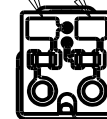
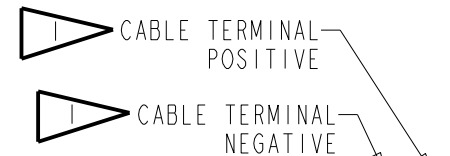
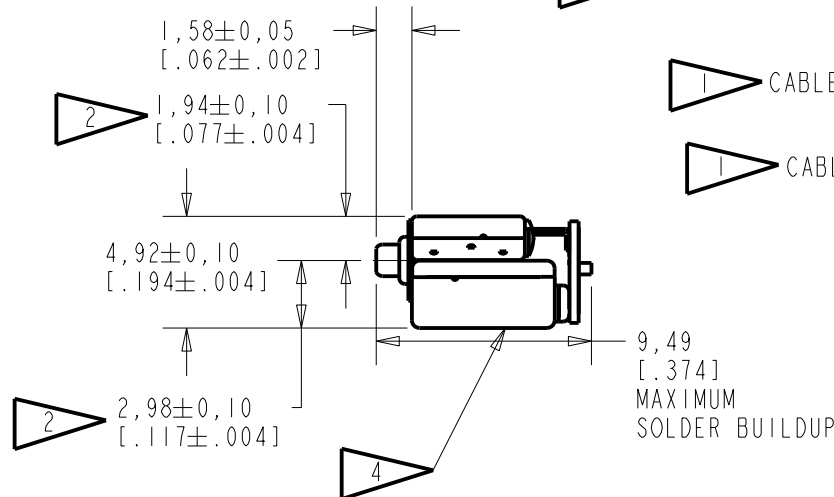
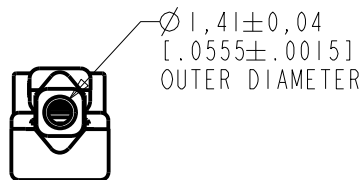
GO-30783-000

SHT 1.1



NOTES:

- 1 A POSITIVE GOING VOLTAGE AT THE POSITIVE TERMINAL RELATIVE TO THE NEGATIVE TERMINAL CAUSES A DECREASE IN PRESSURE AT THE SOUND OUTLET.
- 2 LOCATED FROM TWO SURFACES FOR CUSTOMER CONVENIENCE. ONLY APPLICABLE FROM ONE SURFACE, NOT TO BE USED TOGETHER.
- 3 BACK VENT HOLE TO BE CLEAN AND CLEAR OF DEBRIS.
- 4 LASER MARK ON OUTSIDE OF ED CUP.



DIMENSIONS IN MILLIMETERS [INCHES]

KNOWLES ELECTRONICS
ITASCA, ILLINOIS U.S.A.

Revision	C.O. #	Implementation Date	RELEASE LEVEL	REVISION
			Active	D
D	CI0116006	6-6-14		
SCALE: 3:1			DR. BY	DATE
DO NOT SCALE DRAWING			MMM	7-28-09
TITLE: RECEIVER			CK. BY	DATE
OUTLINE DRAWING			GJP	7-30-09
GO-30783-000			APP. BY	DATE
SHT 1.1			GJP	7-30-09

IN TABLE 1, NOMINAL SENSITIVITY AT 1kHz IS dB RELATIVE TO 20 μ Pd.
 ALL OTHER VALUES IN dB RELATIVE TO THE SENSITIVITY AT 1kHz.

STORAGE: 40 C TO 65 C.

FREQUENCY (Hz)	MINIMUM	NOMINAL	MAXIMUM
70	+0.5	+3.5	+6.5
200	+1.0	+3.0	+5.0
500	-1.0	+1.0	+3.0
1000	-2.0	109.5	+2.0
2200 - 2800	+2.5	+6.0	+8.5
3200 - 5500	-3.5	---	---
5500 - 6800	+3.5	+6.5	+9.5
7000 - 9700	-9.5	---	---
10000 - 13000	-11.5	---	---

TABLE 2

TOTAL HARMONIC DISTORTION
 DEVICE WILL NOT EXCEED TOTAL HARMONIC DISTORTION LEVELS LISTED BELOW.

FREQUENCY (Hz)	AC DRIVE (V rms)	DC BIAS (mA)	LIMIT (%)
500	0.202	0	8
830	0.101	0	5
1250	0.101	0	5

TABLE 3

ELECTRICAL

DC RESISTANCE	12.5 Ohms \pm 10%
IMPEDANCE @ 500 Hz	21.5 Ohms \pm 15%
IMPEDANCE @ 1kHz	39.4 Ohms \pm 15%

TABLE 4

ISOLATION: CASE WILL BE ELECTRICALLY ISOLATED FROM THE COIL CIRCUIT.

BUZZ TEST

LISTENING TEST CONDUCTED BETWEEN
 20Hz TO 3kHz TO DETECT BUZZ.

INPUT DRIVE SIGNAL	0.18V
--------------------	-------

TABLE 5

Revision	C.O. #	Implementation Date	RELEASE LEVEL	REVISION
			Active	D
D	CI0116006	6-6-14		
WHEN TEST LIMITS ARE USED TO ESTABLISH INCOMING INSPECTION ACCEPTANCE/REJECTION CRITERIA, CORRELATION OF TEST EQUIPMENT WITH KNOWLES IS ALSO REQUIRED FOR ELIMINATION OF EQUIPMENT AND TEST METHOD VARIATION				
KNOWLES ELECTRONICS ITASCA, ILLINOIS U.S.A.			DR. BY	DATE
			MMM	7-28-09
			CK. BY	DATE
			GJP	7-30-09
TITLE: RECEIVER PERFORMANCE SPECIFICATION			GO-30783-000	APP. BY
			SHT 2.1	DATE
			GJP	7-30-09

X-ON Electronics

Largest Supplier of Electrical and Electronic Components

Click to view similar products for [Speakers & Transducers](#) category:

Click to view products by [Knowles](#) manufacturer:

Other Similar products are found below :

[FC-30814-P127](#) [PB-1220PE](#) [PB-2015PQ](#) [900-00001](#) [AB2025B-LW50-R](#) [SWFK-31736-000](#) [PT-2065FW](#) [PT-4175W](#) [AT-2830-TW-LW35-R](#)
[ED-30761-000](#) [CI-30120-A42](#) [SMT-0440-T-2-R](#) [PB-0927PQ](#) [BF-7083-000](#) [BF-9778-000](#) [SMS2020-08H4.5](#) [LF](#) [BDT1717-08H6.5W56MLF](#)
[BLS50-1-08H18.2B-03](#) [LF](#) [02094](#) [02097](#) [GSPK1003PN-8R0.2W-L100](#) [GSPK151103TN-8R0.2W](#) [GSPK2014035PN-8R0.5W-L100](#)
[FS5353DS0830-H19.3](#) [TE082703-8](#) [XMLP040BD21F](#) [24520](#) [SMT-0540-S-2-R](#) [1450069](#) [9091653](#) [9091661](#) [IPS-G6000-5](#) [9090231](#)
[FS50MS0820-H9.7](#) [FS4014-4-2W](#) [PBM4-13.B29R.A115.0663](#) [PBM4-13.B31R.A115.0663](#) [PBM4-13.B33R.A115.0663](#) [PBM4-](#)
[13.B35R.A115.0663](#) [A-10-6-BG360-HD1Z-GA-M4Z-ZW](#) [A-10-6-BG410-HD1Z-AA-M4Z-ZW](#) [A-10-6-BG410-HD1Z-FC-AGZ-ZW](#) [A-10-6-](#)
[BG410-HD1Z-GA-M4Z-ZW](#) [A-10-6-BG310-HD1Z-AA-AGZ-ZW](#) [A-10-6-BG310-HD1Z-AA-M4Z-ZW](#) [A-10-6-BG310-HD1Z-GA-M4Z-ZW](#)
[A-10-6-BG316-HD1Z-AA-AGZ-ZW](#) [A-10-6-BG316-HD1Z-AA-M4Z-ZW](#) [A-10-6-BG325-HD1Z-AA-AGZ-ZW](#) [A-10-6-BG325-HD1Z-AA-](#)
[M4Z-ZW](#)