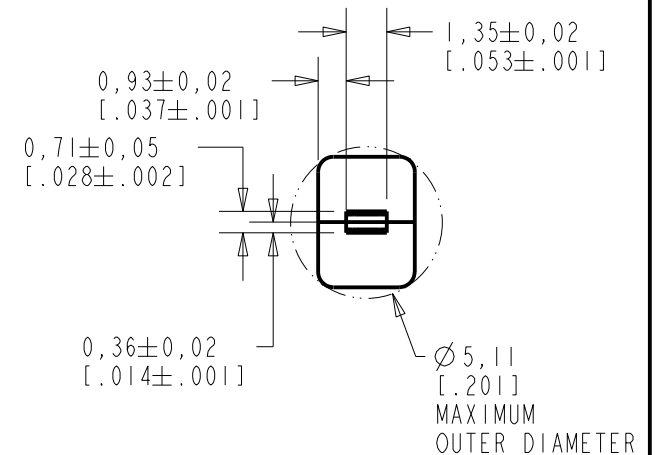
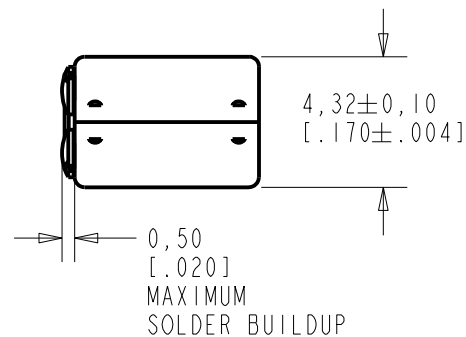
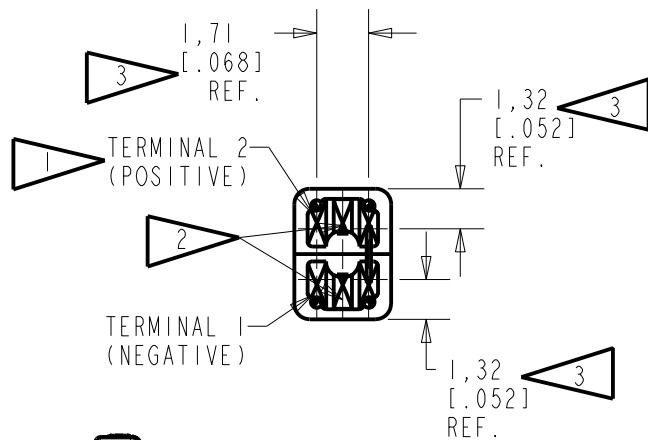
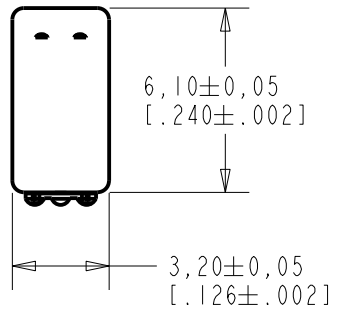


**GR-31711-000**

**SHT 1.1**

NOTES:

- 1 A POSITIVE GOING VOLTAGE AT TERMINAL 2, RELATIVE TO TERMINAL 1, CAUSES A DECREASE IN PRESSURE AT THE SOUND OUTLET.
- 2 TERMINAL ELECTRICALLY CONNECTED TO CASE.
- 3 DIMENSION TO APPROXIMATE CENTER OF TERMINAL PAD.



SCALE 2:1  
 NOMINAL WEIGHT 0.24 GRAMS  
 DIMENSIONS IN MILLIMETERS [INCHES]

Revision	C.O. #	Implementation Date	RELEASE LEVEL	REVISION
C	C10114167	9-21-12	<b>Active</b>	<b>C</b>
B	C10114045	8-29-12		
A	C10113749	7-18-12		

SCALE:	<b>4:1</b>	DR. BY	DATE
DO NOT SCALE DRAWING		LSY	7-18-12
TITLE:	<b>RECEIVER</b>	GJP	7-20-12
	OUTLINE DRAWING	APP. BY	DATE
		GJP	7-20-12
	<b>GR-31711-000</b>		
	<b>SHT 1.1</b>		

**KNOWLES ELECTRONICS**  
 ITASCA, ILLINOIS U.S.A.

REL	500	-1.2	+1.8	+4.8
REF	1000	-1.5	103.0	+1.5
PEAK1	1860 - 2510	+4.7	+7.7	+10.7
VALLEY1	3380 - 4580	-12.2	-9.2	-6.2
PEAK2	4125 - 5580	-7.5	-4.5	-1.5

TABLE 1

TOTAL HARMONIC DISTORTION  
 DEVICE WILL NOT EXCEED TOTAL HARMONIC DISTORTION LEVELS LISTED BELOW.

FREQUENCY (Hz)	AC DRIVE (Vrms)	DC BIAS (V)	LIMIT (%)
1/3 PEAK1 (TYP. 705)	0.094	0	3
1/2 PEAK1 (TYP. 1058)	0.094	0	3
1/3 PEAK1 (TYP. 705)	0.265	0	8
1/2 PEAK1 (TYP. 1058)	0.265	0	8

TABLE 2

MAXIMUM OUTPUT LEVEL

FREQUENCY	THD(%)	AC DRIVE (Vrms)	SPL MINIMUM (dB)
500Hz	5	1.305	114.0
PEAK	6	1.305	130.3

TABLE 3

**TEST CONDITIONS**

NOMINAL SOURCE VOLTAGE	0.094 Vrms, 0 mA DC BIAS
MAXIMUM DRIVE VOLTAGE	1.305 Vrms
SOURCE IMPEDANCE	<1 Ohm
TUBING	10 mm [.394"] LONG X 1 mm [.039"] I.D. ("ITE")
COUPLER CAVITY	2 CM <sup>3</sup> , SIMULATED ANSI S3.7 TYPE HA-3 (IEC 60318-5)

TABLE 4

CAPACITANCE @ 10 MHz	2.8 pF TYPICAL
----------------------	----------------

TABLE 5

ISOLATION: CASE WILL BE ELECTRICALLY ISOLATED FROM THE COIL CIRCUIT.

**MECHANICAL**

PORT LOCATION: 12N

SOLDER TYPE: SAC305

TEMPERATURE

OPERATING: SENSITIVITY WILL NOT VARY MORE THAN  
 +1/-3 dB AT 500 Hz FROM -17°C TO 63°C

STORAGE: -40°C TO 63°C

SHOCK RESISTANCE: 90% SURVIVAL RATE WITH THD @ 1/3  
 PEAK FREQUENCY LESS THAN 10%, THD @ 1/2 PEAK  
 FREQUENCY LESS THAN 20% AND LESS THAN 3dB CHANGE  
 IN SENSITIVITY AT 1kHz WHEN SUBJECTED TO 14,100 G.

Revision	C.O. #	Implementation Date	RELEASE LEVEL	REVISION
C	C10114167	9-21-12	<b>Active</b>	<b>C</b>
B	C10114045	8-29-12		
A	C10113749	7-18-12		
WHEN TEST LIMITS ARE USED TO ESTABLISH INCOMING INSPECTION ACCEPTANCE/REJECTION CRITERIA, CORRELATION OF TEST EQUIPMENT WITH KNOWLES IS ALSO REQUIRED FOR ELIMINATION OF EQUIPMENT AND TEST METHOD VARIATION			DR. BY	DATE
TITLE: <b>RECEIVER</b> PERFORMANCE SPECIFICATION			LSY	7-18-12
			<b>CR-31711-000</b>	
<b>SHT 2.1</b>			CK. BY	DATE
			GJP	7-20-12
			APP. BY	DATE
			GJP	7-20-12

**KNOWLES ELECTRONICS**  
 ITASCA, ILLINOIS U.S.A.

**KNOWLES ELECTRONICS**  
**ITASCA, ILLINOIS U.S.A.**

Revision	C.O. #	Implementation Date	RELEASE LEVEL	REVISION
C	C10114167	9-21-12	<b>Active</b>	<b>C</b>
B	C10114045	8-29-12		
A	C10113749	7-18-12		

<p>WHEN TEST LIMITS ARE USED TO ESTABLISH INCOMING INSPECTION ACCEPTANCE/REJECTION CRITERIA, CORRELATION OF TEST EQUIPMENT WITH KNOWLES IS ALSO REQUIRED FOR ELIMINATION OF EQUIPMENT AND TEST METHOD VARIATION</p>	DR. BY	DATE
	LSY	7-18-12
	CK. BY	DATE
	GJP	7-20-12
TITLE:		
	<b>RECEIVER</b>	<b>CR-31711-000</b>
	PERFORMANCE SPECIFICATION	<b>SHT 2.2</b>
	APP. BY	DATE
	GJP	7-20-12

## X-ON Electronics

Largest Supplier of Electrical and Electronic Components

*Click to view similar products for [Speakers & Transducers](#) category:*

*Click to view products by [Knowles](#) manufacturer:*

Other Similar products are found below :

[FC-30814-P127](#) [PB-1220PE](#) [PB-2015PQ](#) [900-00001](#) [AB2025B-LW50-R](#) [SWFK-31736-000](#) [PT-2065FW](#) [PT-4175W](#) [AT-2830-TW-LW35-R](#)  
[ED-30761-000](#) [CI-30120-A42](#) [SMT-0440-T-2-R](#) [PB-0927PQ](#) [BF-7083-000](#) [BF-9778-000](#) [SMS2020-08H4.5](#) [LF](#) [BDT1717-08H6.5W56MLF](#)  
[BLS50-1-08H18.2B-03](#) [LF](#) [02094](#) [02097](#) [GSPK1003PN-8R0.2W-L100](#) [GSPK151103TN-8R0.2W](#) [GSPK2014035PN-8R0.5W-L100](#)  
[FS5353DS0830-H19.3](#) [TE082703-8](#) [XMLP040BD21F](#) [24520](#) [SMT-0540-S-2-R](#) [1450069](#) [9091653](#) [9091661](#) [IPS-G6000-5](#) [9090231](#)  
[FS50MS0820-H9.7](#) [FS4014-4-2W](#) [PBM4-13.B29R.A115.0663](#) [PBM4-13.B31R.A115.0663](#) [PBM4-13.B33R.A115.0663](#) [PBM4-](#)  
[13.B35R.A115.0663](#) [A-10-6-BG360-HD1Z-GA-M4Z-ZW](#) [A-10-6-BG410-HD1Z-AA-M4Z-ZW](#) [A-10-6-BG410-HD1Z-FC-AGZ-ZW](#) [A-10-6-](#)  
[BG410-HD1Z-GA-M4Z-ZW](#) [A-10-6-BG310-HD1Z-AA-AGZ-ZW](#) [A-10-6-BG310-HD1Z-AA-M4Z-ZW](#) [A-10-6-BG310-HD1Z-GA-M4Z-ZW](#)  
[A-10-6-BG316-HD1Z-AA-AGZ-ZW](#) [A-10-6-BG316-HD1Z-AA-M4Z-ZW](#) [A-10-6-BG325-HD1Z-AA-AGZ-ZW](#) [A-10-6-BG325-HD1Z-AA-](#)  
[M4Z-ZW](#)