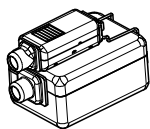
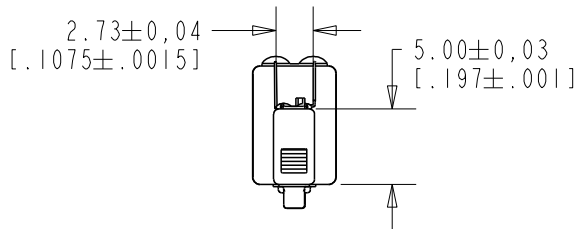
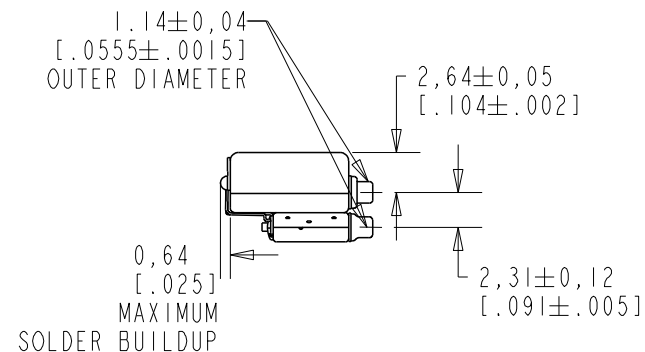
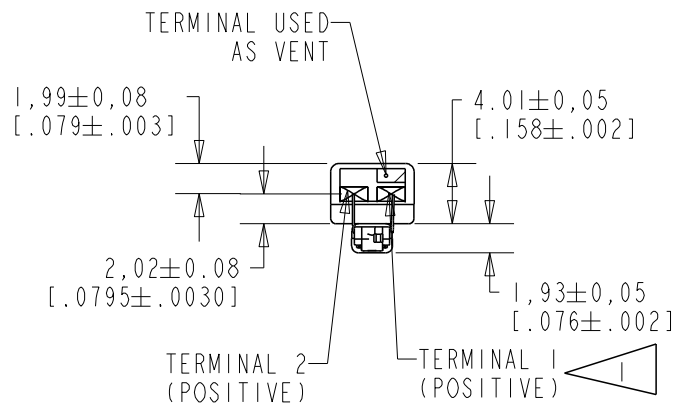
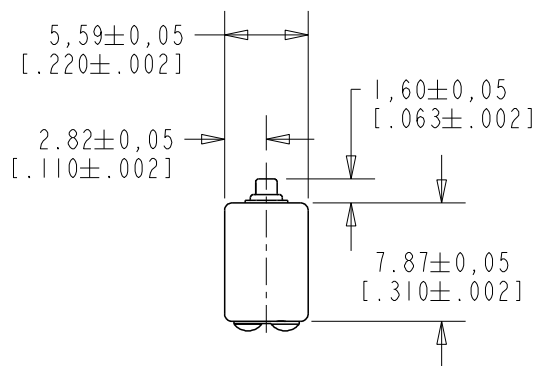


CU-32829-000

SHT 1.1

NOTES:

 A POSITIVE GOING VOLTAGE AT TERMINAL 2, RELATIVE TO TERMINAL 1, CAUSES A DECREASE IN PRESSURE AT THE SOUND OUTLET.



NOMINAL WEIGHT  
.66 GRAM

DIMENSIONS IN MILLIMETERS [INCHES]

Revision	C.O. #	Implementation Date	RELEASE LEVEL	REVISION
			Active	A
A	PI0000621	8-11-16		

SCALE:	2:1		DR. BY	DATE
DO NOT SCALE DRAWING			NANC	8-11-16
TITLE:	RECEIVER	CU-32829-000	CK. BY	DATE
	OUTLINE DRAWING	SHT 1.1	GJP	8-11-16
			APP. BY	DATE
			GJP	8-11-16

**KNOWLES CORPORATION**

TEMPERATURE  
 OPERATING: SENSITIVITY AT 1K Hz WILL NOT VARY MORE THAN  
 +1/-3 dB FROM 0°C TO 63°C  
 STORAGE: -40°C TO 63°C

FREQUENCY (Hz)	MINIMUM	NOMINAL	MAXIMUM
70	0.0	+3.0	+6.0
200	0.0	+2.0	+4.0
500	-2.0	+113.5	+2.0
700-950	-3.5	-1.0	+1.5
1100-1500	-2.0	0.0	+2.0
1700-2600	-4.25	--	--
2650-3400	-2.5	0.0	+2.5
6500-9000	-19.5	--	--
8200-9900	-19.75	-14.75	-9.75

TABLE 1.

TOTAL HARMONIC DISTORTION  
 DEVICE WILL NOT EXCEED TOTAL HARMONIC DISTORTION LEVELS  
 LISTED BELOW.

FREQUENCY (Hz)	AC DRIVE (V rms)	DC BIAS (mA)	LIMIT (%)
830	0.101	0	3
1130	0.101	0	3
500	0.3	0	3

TABLE 2.

TEST CONDITIONS

NOMINAL SOURCE VOLTAGE	0.101 Vrms, 0 Vdc BIAS
SOURCE IMPEDANCE	< 1 Ohm
TUBING	T-11959
COUPLER CAVITY	IEC 60318-4(711)

TABLE 3.

ELECTRICAL

DC RESISTANCE	16.0 OHMS ± 10%
IMPEDANCE @ 500 Hz	15.0 OHMS ± 20%
IMPEDANCE @ 1 k Hz	17.0 OHMS ± 23%

TABLE 4

ISOLATION: CASE WILL BE ELECTRICALLY ISOLATED FROM  
 THE COIL CIRCUIT.

Revision	C.O. #	Implementation Date	RELEASE LEVEL	REVISION
			Active	A
A	PI0000621	8-11-16		

**KNOWLES CORPORATION**

WHEN TEST LIMITS ARE USED TO ESTABLISH INCOMING INSPECTION ACCEPTANCE/REJECTION  
 CRITERIA, CORRELATION OF TEST EQUIPMENT WITH KNOWLES IS ALSO REQUIRED FOR  
 ELIMINATION OF EQUIPMENT AND TEST METHOD VARIATION

TITLE: RECEIVER  
 PERFORMANCE SPECIFICATION

CU-32829-000  
 SHT 2.1

DR. BY	DATE
NANC	8-11-16
CK. BY	DATE
GJP	8-11-16
APP. BY	DATE
GJP	8-11-16

## X-ON Electronics

Largest Supplier of Electrical and Electronic Components

*Click to view similar products for [Speakers & Transducers](#) category:*

*Click to view products by [Knowles](#) manufacturer:*

Other Similar products are found below :

[FC-30814-P127](#) [PB-1220PE](#) [PB-2015PQ](#) [900-00001](#) [AB2025B-LW50-R](#) [SWFK-31736-000](#) [PT-2065FW](#) [PT-4175W](#) [AT-2830-TW-LW35-R](#)  
[ED-30761-000](#) [CI-30120-A42](#) [SMT-0440-T-2-R](#) [PB-0927PQ](#) [BF-7083-000](#) [BF-9778-000](#) [SMS2020-08H4.5](#) [LF](#) [BDT1717-08H6.5W56MLF](#)  
[BLS50-1-08H18.2B-03](#) [LF](#) [02094](#) [02097](#) [GSPK1003PN-8R0.2W-L100](#) [GSPK151103TN-8R0.2W](#) [GSPK2014035PN-8R0.5W-L100](#)  
[FS5353DS0830-H19.3](#) [TE082703-8](#) [XMLP040BD21F](#) [24520](#) [SMT-0540-S-2-R](#) [1450069](#) [9091653](#) [9091661](#) [IPS-G6000-5](#) [9090231](#)  
[FS50MS0820-H9.7](#) [FS4014-4-2W](#) [PBM4-13.B29R.A115.0663](#) [PBM4-13.B31R.A115.0663](#) [PBM4-13.B33R.A115.0663](#) [PBM4-](#)  
[13.B35R.A115.0663](#) [A-10-6-BG360-HD1Z-GA-M4Z-ZW](#) [A-10-6-BG410-HD1Z-AA-M4Z-ZW](#) [A-10-6-BG410-HD1Z-FC-AGZ-ZW](#) [A-10-6-](#)  
[BG410-HD1Z-GA-M4Z-ZW](#) [A-10-6-BG310-HD1Z-AA-AGZ-ZW](#) [A-10-6-BG310-HD1Z-AA-M4Z-ZW](#) [A-10-6-BG310-HD1Z-GA-M4Z-ZW](#)  
[A-10-6-BG316-HD1Z-AA-AGZ-ZW](#) [A-10-6-BG316-HD1Z-AA-M4Z-ZW](#) [A-10-6-BG325-HD1Z-AA-AGZ-ZW](#) [A-10-6-BG325-HD1Z-AA-](#)  
[M4Z-ZW](#)