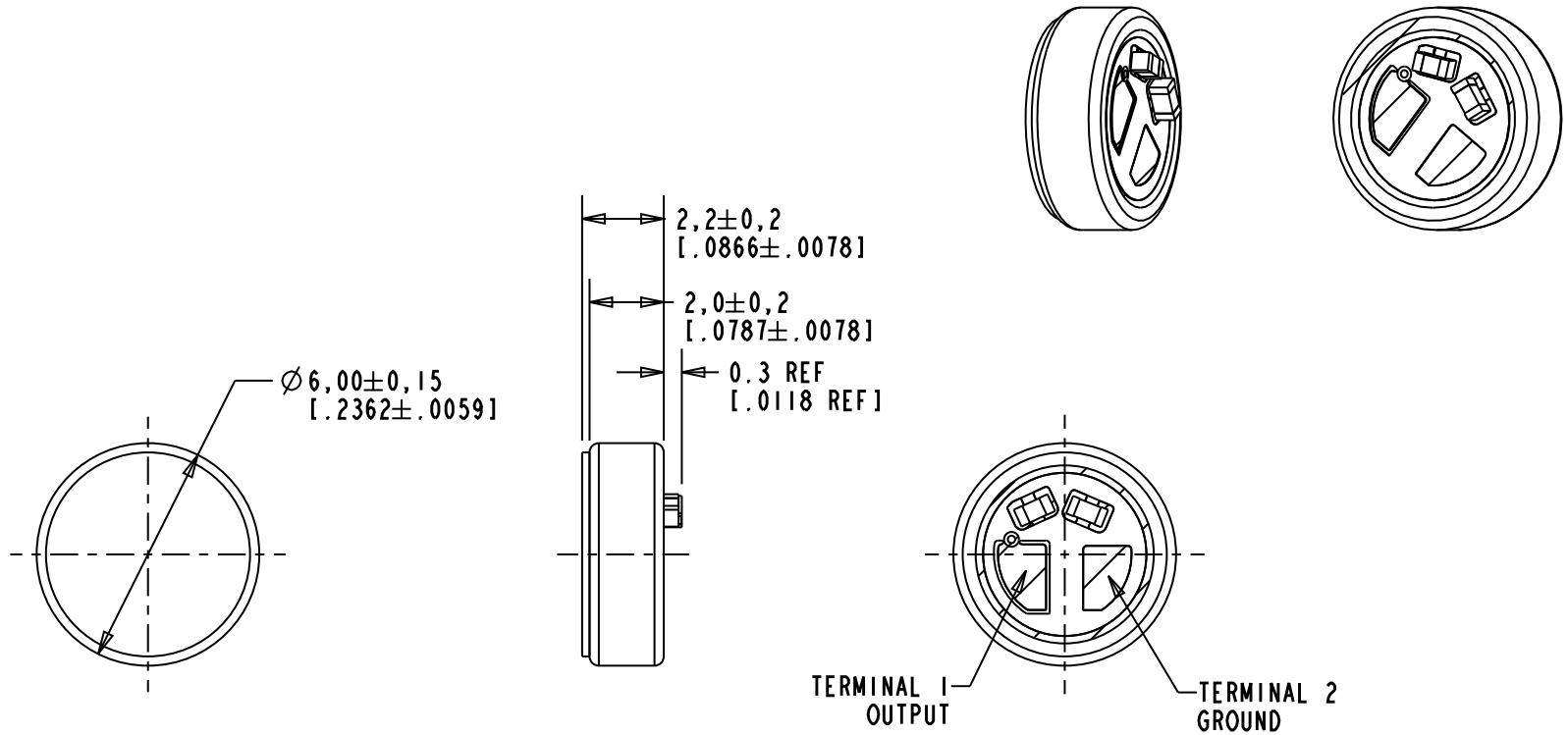


THE INFORMATION CONTAINED IN THIS LITERATURE IS BASED ON OUR EXPERIENCE TO DATE AND IS BELIEVED TO BE RELIABLE AND IT IS SUBJECT TO CHANGE WITHOUT NOTICE. IT IS INTENDED AS A GUIDE FOR USE BY PERSONS HAVING TECHNICAL SKILL AT THEIR OWN DISCRETION AND RISK. WE DO NOT GUARANTEE FAVORABLE RESULTS OR ASSUME ANY LIABILITY IN CONNECTION WITH ITS USE. DIMENSIONS CONTAINED HEREIN ARE FOR REFERENCE PURPOSES ONLY. FOR SPECIFIC DIMENSIONAL REQUIREMENTS CONSULT MANUFACTURER. THIS PUBLICATION IS NOT TO BE TAKEN AS A LICENSE TO OPERATE UNDER, OR RECOMMENDATION TO INFRINGE ANY EXISTING PATENTS. THIS SUPERSEDES AND VOIDS ALL PREVIOUS LITERATURE.

HM-31066-000

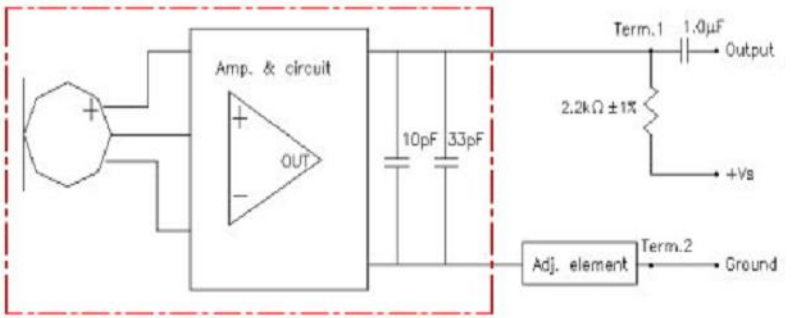
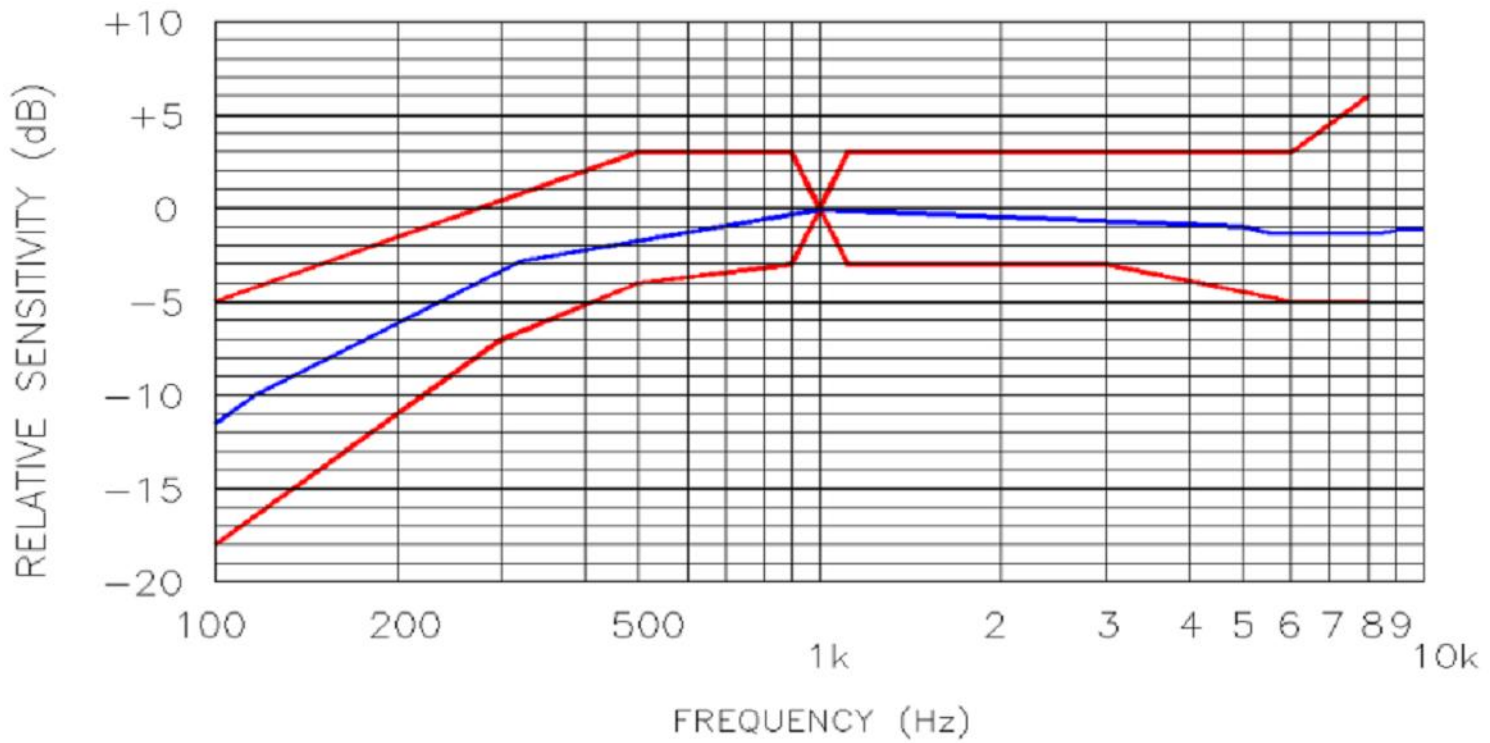
SHT 1.1



DIMENSIONS IN MILLIMETERS [INCHES]

KNOWLES ACOUSTICS
 ITASCA, ILLINOIS U.S.A.

Revision	C.O. #	Implementation Date	RELEASE LEVEL	REVISION
			Active	A
A	CI0110715	1-21-10		
SCALE: 5:1				
DO NOT SCALE DRAWING			DR. BY	DATE
TITLE: MICROPHONE			K.Z.	09-12-07
			HM-31066-000	
OUTLINE DRAWING			D.F.	09-12-07
			SHT 1.1	
			D.F.	09-12-07



NOTES:

1. SENSITIVITY: $-20 \pm 3\text{dB re } 1.0\text{V/Pa(N/m}^2\text{)}$ AT 1kHz $22 \pm 5^\circ\text{C}$.
2. IMPEDANCE: LESS THAN $0.5\text{k}\Omega$ (1kHz).
3. STANDARD VOLTAGE: 3.0V.
4. RANGE OF OPERATING VOLTAGE: 2.5V TO 5.5V.
5. CURRENT DRAIN: 0.5mA MAX.
6. S/N RATIO: GREATER THAN OR EQUAL TO 66dB.
7. MAXIMUM INPUT SOUND PRESSURE LEVEL: 100dB.
8. SENSITIVITY REDUCTION: WITHIN -3dB AT 1.5V.

Revision	C.O. #	Implementation Date	RELEASE LEVEL	REVISION
A	CI0110715	1-21-10	Active	A

KNOWLES ACOUSTICS
ITASCA, ILLINOIS U.S.A.

SCALE:	5:1	DR. BY	DATE
DO NOT SCALE DRAWING		K.Z.	09-12-07
TITLE:	MICROPHONE	CR. BY	DATE
OUTLINE DRAWING	HM-31066-000	D.F.	09-12-07
	SHT 2.1	APP. BY	DATE
		D.F.	09-12-07

X-ON Electronics

Largest Supplier of Electrical and Electronic Components

Click to view similar products for [Microphones](#) category:

Click to view products by [Knowles](#) manufacturer:

Other Similar products are found below :

[BCM4013OLFC-42-JST-ZHR-2](#) [TO38-30702-B20](#) [SPM04C-38/1186-T/R](#) [BCM4013OSBC-42 LF](#) [TOW-1242P-R](#) [BCM9745-44](#) [BCM9765](#)
[BCM9767P](#) [LD-MC-0905P](#) [LD-MC-6035](#) [PMOF-9745S-42UQ](#) [ROM-2235L-HD-R](#) [CMC-4015-130T](#) [CMC-6050-40T](#) [CMC-6035-130T](#)
[CMC-6015-47P](#) [BCM9745P-44](#) [BCM9767-42](#) [254-ECM644-RO](#) [LD-MC-4011](#) [LD-MC-6027](#) [LD-MC-6035W](#) [LD-MC-9765P](#) [LD-MC-](#)
[9765W](#) [FG-23629-D65](#) [254-FP270-RO](#) [BCM9765P-44](#) [CMC-5042PF-AC](#) [CMC-6010-42L100](#) [CMC-9745-L100](#) [CMC-3015-44T](#) [CMC-](#)
[4015-25T](#) [CMC-6013-38T](#) [CMC-6022-37L100](#) [CMC-6027-24T](#) [CMC-6027-32T](#) [GMI4522P-2C-30db](#) [GMI4522P-2C-50db](#) [GMI4522P-2C-](#)
[52db](#) [GMI6027P-2C66DB](#) [GMA3526H10-B26](#) [GMA4030H11-F26](#) [GMI4015-32DB](#) [GMI4015-40DB](#) [GMI4015P-36DB](#) [GMI4015P-46DB](#)
[GMI4015P-54DB](#) [GMI4015P-58DB](#) [GMI4022U-2C32DB](#) [GMI4022U-2C34DB](#)