

**HODTEC-31230-000**

**SHT 1.1**

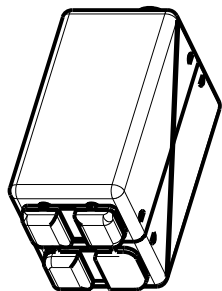
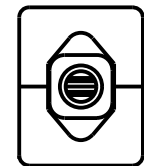
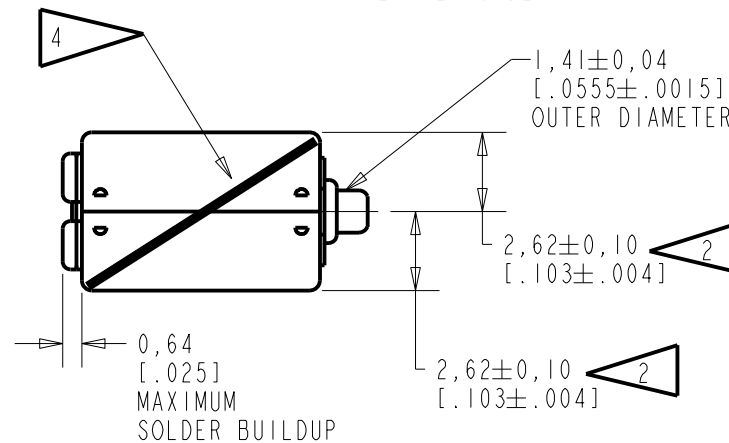
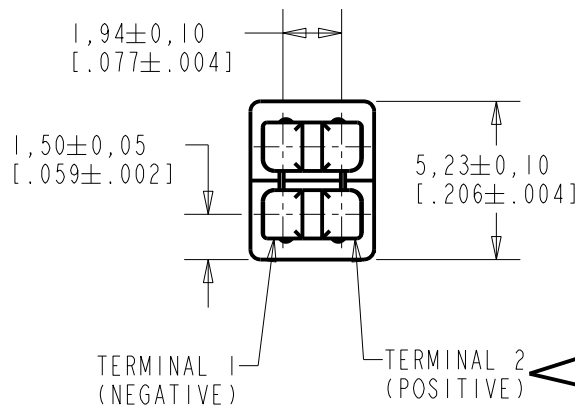
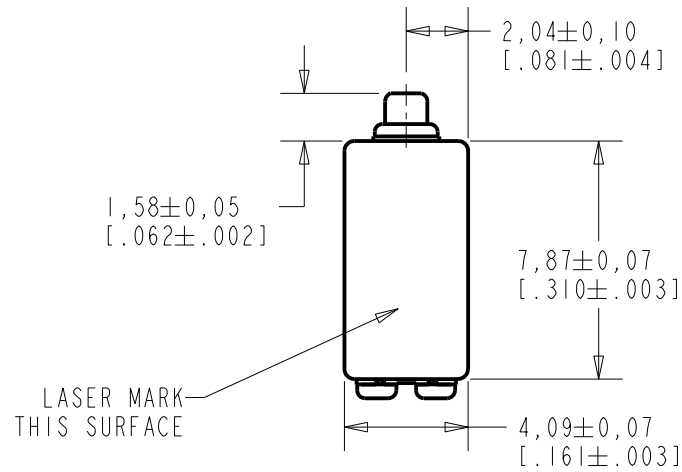
**NOTES:**

1. A POSITIVE GOING VOLTAGE AT TERMINAL 2, RELATIVE TO TERMINAL 1, CAUSES A DECREASE IN PRESSURE AT THE SOUND OUTLET.

2. LOCATED FROM TWO SURFACES FOR CUSTOMER CONVENIENCE. ONLY APPLICABLE FROM ONE SURFACE, NOT TO BE USED TOGETHER. HORIZONTAL LOCATION FOR TERMINAL CENTERED TO  $\pm 0,17$  [.007].

3. RECEIVERS WIRED IN ELECTRICAL PARALLEL WHEN CONNECTED TO TERMINAL 1 AND TERMINAL 2.

4. RED STRIP FROM CORNER TO CORNER, EITHER SIDE.



NOMINAL WEIGHT  
.71 GRAMS

DIMENSIONS IN MILLIMETERS [INCHES]

Revision	C.O. #	Implementation Date	RELEASE LEVEL	REVISION
C	CI0114023	8-30-12	<b>Active</b>	<b>C</b>
B	CI0112707	8-26-11		
A	CI0112225	4-13-11		

SCALE: <b>4:1</b>		DR. BY: KL	DATE: 4-13-11
DO NOT SCALE DRAWING			
TITLE: <b>RECEIVER</b>		HODTEC-31230-000	
OUTLINE DRAWING		SHT 1.1	
		APP. BY: GJP	DATE: 4-13-11

**KNOWLES ELECTRONICS**  
ITASCA, ILLINOIS U.S.A.

FREQUENCY (Hz)	MINIMUM	NOMINAL	MAXIMUM
200	-3.5	-0.5	+2.5
500	-2.0	114.7	+2.0
810-1010	+4.5	+7.5	+10.5
1895-2305	+0.8	+3.8	+6.8
3060-3740	-4.5	-1.5	+1.5
4030-4530	-10.1	-7.1	-4.1
5050-6170	-18.5	-15.5	-12.5

TABLE 1

TOTAL HARMONIC DISTORTION\*  
 DEVICE WILL NOT EXCEED TOTAL HARMONIC DISTORTION LEVELS LISTED BELOW.

FREQUENCY (Hz)	AC DRIVE (V rms)	DC BIAS (mA)	LIMIT (%)
1/3 PEAK	0.148	0	5
1/2 PEAK	0.148	0	5
1/3 PEAK	0.295	0	8
1/2 PEAK	0.295	0	8

TABLE 2

TEST CONDITIONS

NOMINAL SOURCE VOLTAGE	0.148 V rms, 0 mA DC BIAS
SOURCE IMPEDANCE	<1 Ohm
TUBING	8mm X 1mm ID + 28mm X 1.5mm ID EAR HOOK SIMULATOR + 25mm X 2mm ID TUBE + 18mm X 3mm ID TUBE
COUPLER CAVITY	2 cm <sup>3</sup> , SIMULATED ANSI S3.7 TYPE HA-3 (IEC 60318-5)

TABLE 3

CAPACITANCE @ 10 MHz	13.8 pF TYP.
----------------------	--------------

TABLE 4

ISOLATION: CASE WILL BE ELECTRICALLY ISOLATED FROM THE COIL CIRCUIT.\*

MECHANICAL

PORT LOCATION: 12S

SOLDER TYPE: SAC305

TEMPERATURE

OPERATING: SENSITIVITY WILL NOT VARY MORE THAN  
 +/-3 dB FROM -17°C TO 63°C

STORAGE: -40°C TO 63°C

Revision	C.O. #	Implementation Date	RELEASE LEVEL	REVISION
C	CI0114023	8-30-12	<b>Active</b>	<b>C</b>
B	CI0112707	8-26-11		
A	CI0112225	4-13-11		

**KNOWLES ELECTRONICS**  
 ITASCA, ILLINOIS U.S.A.

WHEN TEST LIMITS ARE USED TO ESTABLISH INCOMING INSPECTION ACCEPTANCE/REJECTION CRITERIA, CORRELATION OF TEST EQUIPMENT WITH KNOWLES IS ALSO REQUIRED FOR ELIMINATION OF EQUIPMENT AND TEST METHOD VARIATION

DR. BY DATE  
 KL 4-13-11

TITLE: **RECEIVER**  
 PERFORMANCE SPECIFICATION

**HODTEC-31230-000**  
**SHT 2.1**

CK. BY DATE  
 GJP 4-13-11  
 APP. BY DATE  
 GJP 4-13-11

## X-ON Electronics

Largest Supplier of Electrical and Electronic Components

*Click to view similar products for [Speakers & Transducers](#) category:*

*Click to view products by [Knowles](#) manufacturer:*

Other Similar products are found below :

[FC-30814-P127](#) [PB-1220PE](#) [PB-2015PQ](#) [900-00001](#) [AB2025B-LW50-R](#) [SWFK-31736-000](#) [PT-2065FW](#) [PT-4175W](#) [AT-2830-TW-LW35-R](#)  
[ED-30761-000](#) [CI-30120-A42](#) [SMT-0440-T-2-R](#) [PB-0927PQ](#) [BF-7083-000](#) [BF-9778-000](#) [SMS2020-08H4.5](#) [LF](#) [BDT1717-08H6.5W56MLF](#)  
[BLS50-1-08H18.2B-03](#) [LF](#) [02094](#) [02097](#) [GSPK1003PN-8R0.2W-L100](#) [GSPK151103TN-8R0.2W](#) [GSPK2014035PN-8R0.5W-L100](#)  
[FS5353DS0830-H19.3](#) [TE082703-8](#) [XMLP040BD21F](#) [24520](#) [SMT-0540-S-2-R](#) [1450069](#) [9091653](#) [9091661](#) [IPS-G6000-5](#) [9090231](#)  
[FS50MS0820-H9.7](#) [FS4014-4-2W](#) [PBM4-13.B29R.A115.0663](#) [PBM4-13.B31R.A115.0663](#) [PBM4-13.B33R.A115.0663](#) [PBM4-](#)  
[13.B35R.A115.0663](#) [A-10-6-BG360-HD1Z-GA-M4Z-ZW](#) [A-10-6-BG410-HD1Z-AA-M4Z-ZW](#) [A-10-6-BG410-HD1Z-FC-AGZ-ZW](#) [A-10-6-](#)  
[BG410-HD1Z-GA-M4Z-ZW](#) [A-10-6-BG310-HD1Z-AA-AGZ-ZW](#) [A-10-6-BG310-HD1Z-AA-M4Z-ZW](#) [A-10-6-BG310-HD1Z-GA-M4Z-ZW](#)  
[A-10-6-BG316-HD1Z-AA-AGZ-ZW](#) [A-10-6-BG316-HD1Z-AA-M4Z-ZW](#) [A-10-6-BG325-HD1Z-AA-AGZ-ZW](#) [A-10-6-BG325-HD1Z-AA-](#)  
[M4Z-ZW](#)