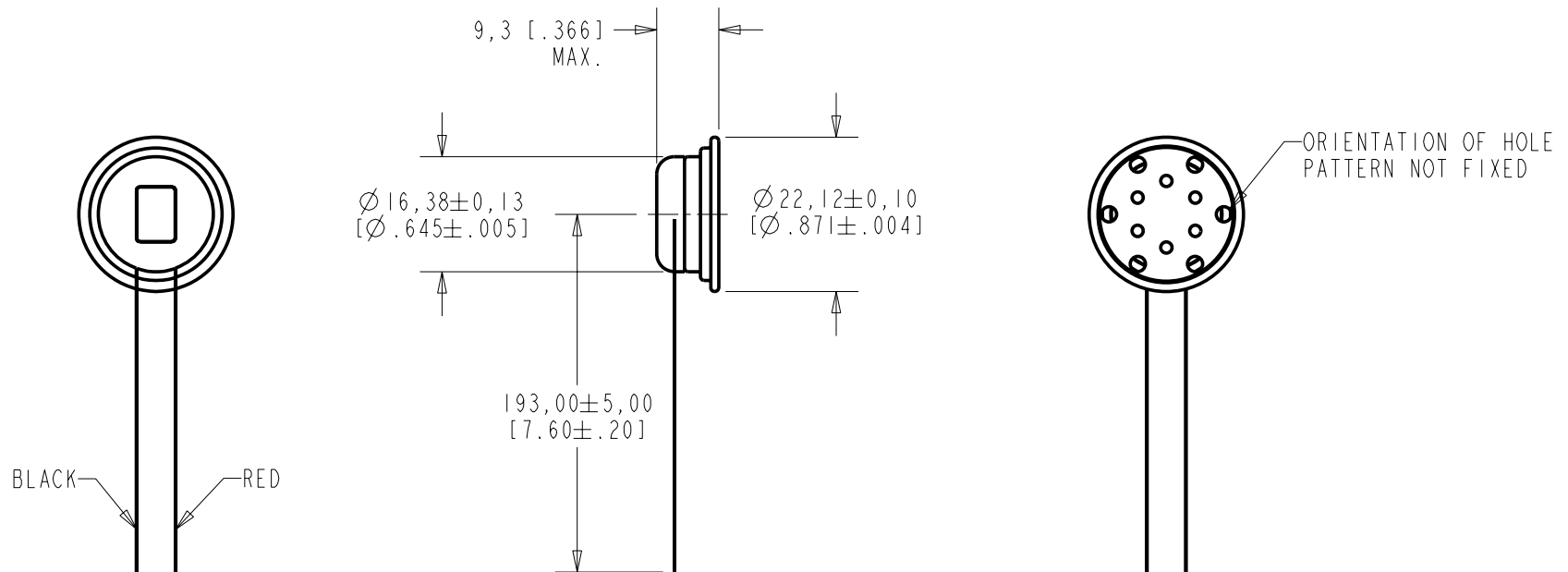


MR-23151-000
SHT 1.1



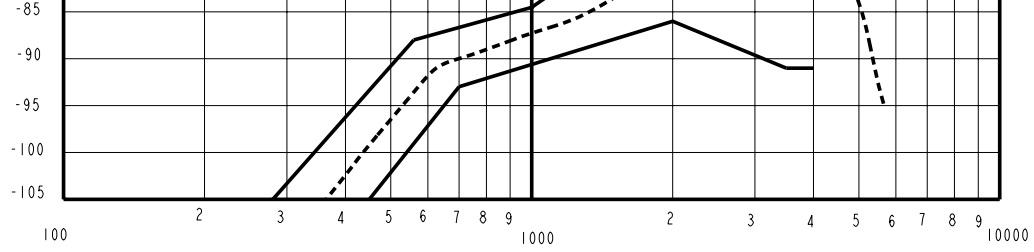
DIMENSIONS IN MILLIMETERS [INCHES]

Revision	C.O. #	Implementation Date	RELEASE LEVEL	REVISION
			Released	A
A	MI0101178	8-21-06		

SCALE: 1:1		DR. BY LSY	DATE 8-21-06
DO NOT SCALE DRAWING			
TITLE: WATERPROOF MICROPHONE		MR-23151-000	
OUTLINE DRAWING		SHT 1.1	
		APP. BY GJP	DATE 8-25-06
		GJP	8-25-06

KNOWLES ELECTRONICS
ITASCA, ILLINOIS U.S.A.

SENSITIVITY IN dB RELATIVE TO 1 VOLT FOR CONDITIONS SHOWN BELOW



NOTES:
1.

FREQUENCY	SENSITIVITY	
	MIN.	MAX.
280	---	-105.0
450	-105.0	---
560	---	-88.0
700	-93.0	---
1000	-90.5	-84.5
2000	-86.0	-74.0
3000	---	-74.0
3500	-91.0	-69.0
4000	-91.0	---
5000	---	-69.0

2. INDIVIDUAL SPECIFICATIONS.

LOAD RESISTANCE ON OUTPUT FOR SENSITIVITY MEASUREMENT OHMS	DCR @ 20°C ±10% OHMS	OUTPUT IMPEDANCE @1kHz OHMS
300	75.5	300

Revision	C.O. #	Implementation Date	RELEASE LEVEL	REVISION
			Released	A
A	M10101178	8-21-06		

WHEN TEST LIMITS ARE USED TO ESTABLISH INCOMING INSPECTION ACCEPTANCE/REJECTION CRITERIA, CORRELATION OF TEST EQUIPMENT WITH KNOWLES IS ALSO REQUIRED FOR ELIMINATION OF EQUIPMENT AND TEST METHOD VARIATION		DR. BY	DATE
		LSY	8-21-06
TITLE: WATERPROOF MICROPHONE		CK. BY	DATE
MR-23151-000		GJP	8-25-06
PERFORMANCE SPECIFICATION		APP. BY	DATE
SHT 2.1		GJP	8-25-06

KNOWLES ELECTRONICS
ITASCA, ILLINOIS U.S.A.

X-ON Electronics

Largest Supplier of Electrical and Electronic Components

Click to view similar products for [knowles](#) manufacturer:

Other Similar products are found below :

[SR-31843-000](#) [FG-23652-D65](#) [BK-28562-000](#) [ED-26821-000](#) [SPH1611LR5H-1](#) [FG-23453-C05](#) [KAS-700-0145](#) [UL-0603-KITSET34-AB](#)
[AUTO-AECQ-HV-KIT45](#) [8131M5000274MXC42](#) [KAS-700-0152](#) [KAS-700-0151](#) [SR-32453-000](#) [2900-253091](#) [EH-27479-000](#) [FED-30048-](#)
[I04](#) [SBSGC5000102MXB](#) [FG-23329-C05](#) [5100-253444](#) [KAS-700-0148](#) [KAS-700-0150](#) [BK-21613-000](#) [BF-3163-000](#) [GU-32829-000](#) [2800-](#)
[253325](#) [1812Y1K00103KST](#) [FED-30027-I24](#) [VFG-30747-000](#) [KAS-700-0137](#) [5100-253441](#) [FED-27926-I04](#) [BF-3034-000](#) [WBFK-30000-](#)
[000](#) [SBSMC0500474MXB](#) [KAS-700-0146](#) [CI-30050-000](#) [TO38-30702-B20](#) [BK-21610-000](#) [FB-FO-23225-000](#) [EH-27233-000](#) [EK-23024-](#)
[000](#) [BK-26824-000](#) [EM-24446-C36](#) [KAS-33100-0004](#) [SPH0642HT5H-1](#) [EC-27817-000](#) [ED-27305-000](#) [GV-32830-000](#)
[1812Y2K00472KXT](#) [2800-253788](#)