

RAQ-33862-000
Full-Range Driver

Balanced Armature Driver

Premium Audio



Typical Performance at 1kHz

Impedance	53	Ohms
Sensitivity to 100mV	106	dB SPI
Sensitivity to 1mW	112	dB SPL
Max SPL ^a	119	dB SPL
THD at 94dB SPL	0.4	%
THD at 100dB SPL	06	%

Testing Condition

using 100mV rms drive signal

— 711 Hi-RES GRAS 403
— THD

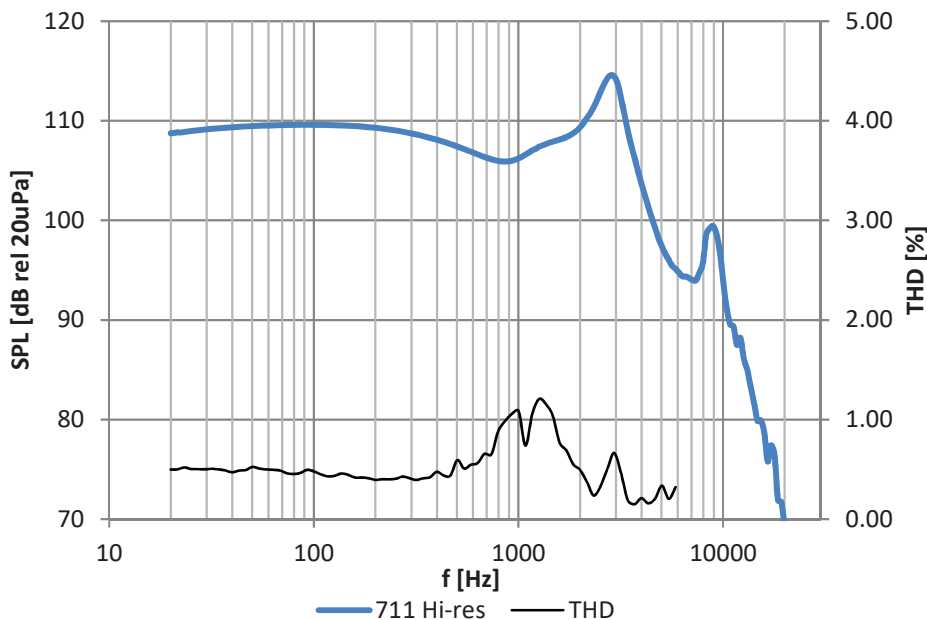


Product Features

- Highly automated assembly for consistent volume production
- Full traceability at unit level
- Exceptionally small full-range driver
- Ideal for TWS hearables and OTC hearing aids where small size is critical

a) SPL at 10% THD

Frequency Response and THD



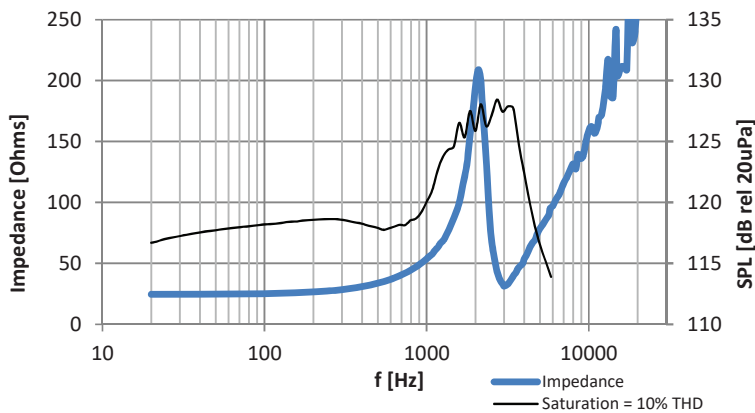
RAQ-33862-000
Full-Range Driver

Balanced Armature Driver

Premium Audio

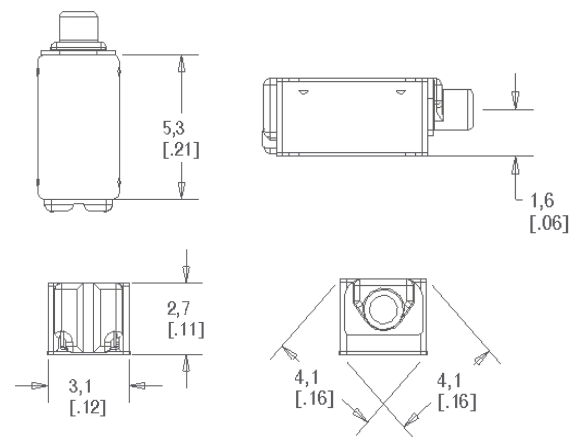


Impedance and Saturation SPL

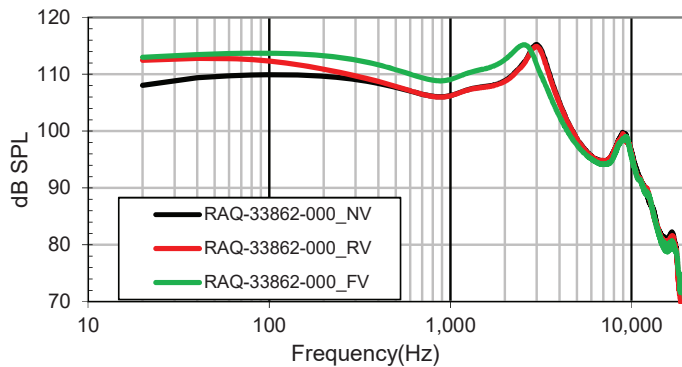


Outline Drawing

mm (inches)



Venting Options



Notes

- Ask about custom assembly options (lead wires, customer specified materials, etc.)
- To prevent heat damage, follow soldering guidelines in application note AN13 (knowles.com)
- Measurement data for reference only. Refer to model specification for full dimensions and performance.



X-ON Electronics

Largest Supplier of Electrical and Electronic Components

Click to view similar products for [Speakers & Transducers](#) category:

Click to view products by [Knowles](#) manufacturer:

Other Similar products are found below :

[FC-30814-P127](#) [AS02832MR-2-R](#) [PB-1220PE](#) [PB-2015PQ](#) [SWFK-31736-000](#) [PT-2065FW](#) [PT-4175W](#) [PB-0927PQ](#) [MBS 3000-1811-A1AB08-0](#) [SMS2020-08H4.5 LF](#) [BDT1717-08H6.5W56MLF](#) [AS03608MR-LW100-R](#) [SP570445-4](#) [GSPK5010TN-4R2W](#) [GSPK5010TN-4R3W](#) [KLJ-1504R8W0.5-L44](#) [FS7423NB0430-H10.0](#) [FS50DS0430-H12.7 PEI](#) [FS3511NB0808-H6.7-R01](#) [FS66W04100-H31](#) [FS45DS0880-H24.8-R02](#) [FS32NS0820-H5.8-R01](#) [FS2112NB0807-H7.0-R01](#) [FS50DS0430-H13.3-R24](#) [FS3411P08-H4.0](#) [FS26NS0820-H4.9-R01](#) [FS14430NB0880-H30-R01](#) [FS5835DS0850-H19.4-R01](#) [FS2011NB0807-H3.9-R01](#) [FS28DS0820-H9.4-R01](#) [FS66W0850-H22](#) [FS40DS0830-H11.2-P2.0-L100](#) [FS28DS0830-H15.3](#) [FS102W0480-H35](#) [FS3525NS0820-H5.5-R01](#) [FS5035NB0820-H26.8-R01](#) [FS27DS0830-H10.8-R01](#) [FS3915NB0808-H11.5-R01](#) [FS3020NB0808-H4.0-R01](#) [FS3616NB0808-H10-R01](#) [FS3514NB0808-H6.0-R01](#) [FS40DS0450-H18.3](#) [FS77W0450-H23.5](#) [FS77W0850-H25.5](#) [FS78W0850-H34](#) [FS102W04200-H40](#) [FS3411P04-H4.0](#) [FS3232NB0820-H15.3-R01](#) [FS50DS0830-H12.7 PEI](#) [FS5630NB0830-H9.4-R01](#)