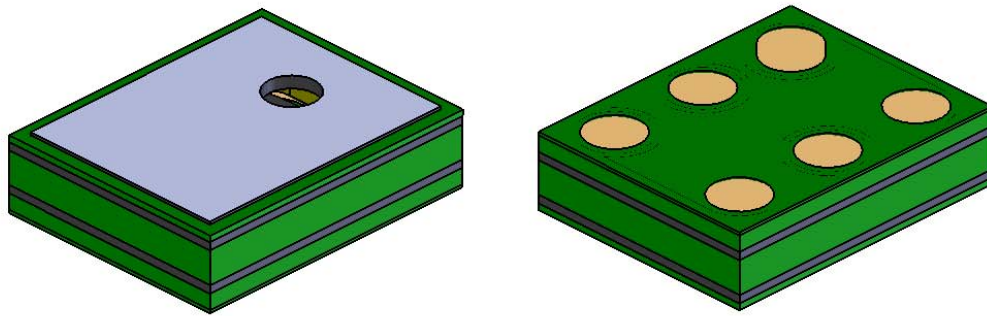


Digital "Mini" SiSonic™ Microphone
Specification - *Halogen Free*



Knowles Acoustics
1151 Maplewood Drive
Itasca, IL 60143

1. DESCRIPTION AND APPLICATION

1.1 DESCRIPTION Digital "Mini" Surface Mount Silicon Microphone -
Halogen Free

1.2 APPLICATION Consumer electronics

2. PART MARKING

Identification Number Convention

S
1
2
3

4
5
6
7

S: Manufacturing Location

"S" - Knowles Electronics Suzhou
Suzhou, China

"No Alpha Character" - Knowles Electronics
Itasca, IL USA

"E" - Engineering Samples

Digits 1-7: Job Identification Number

3. TEMPERATURE RANGE

3.1 Operating Temperature Range: -40 °C to +100 °C

3.2 Storage Temperature Range: -40 °C to +100 °C

4. ABSOLUTE MAXIMUM RATINGS

Parameter	Absolute Maximum Rating	Unit
Supply Voltage, V _{DD} to Ground	-0.5, +5.0	V
L/R, CLOCK, DATA to Ground	-0.3, V _{DD} +0.3	V
Input Current	±5	mA
DATA Output Short Circuit	Indefinite to Ground or V _{DD}	

Stresses at these Absolute Maximum Ratings may cause permanent damage to the device. These are stress ratings only. The device may not function when operated at these or any other conditions beyond those indicated under "Acoustic & Electrical Specifications". Exposure beyond those indicated under "Acoustic & Electrical Specifications" for extended periods may affect device reliability.

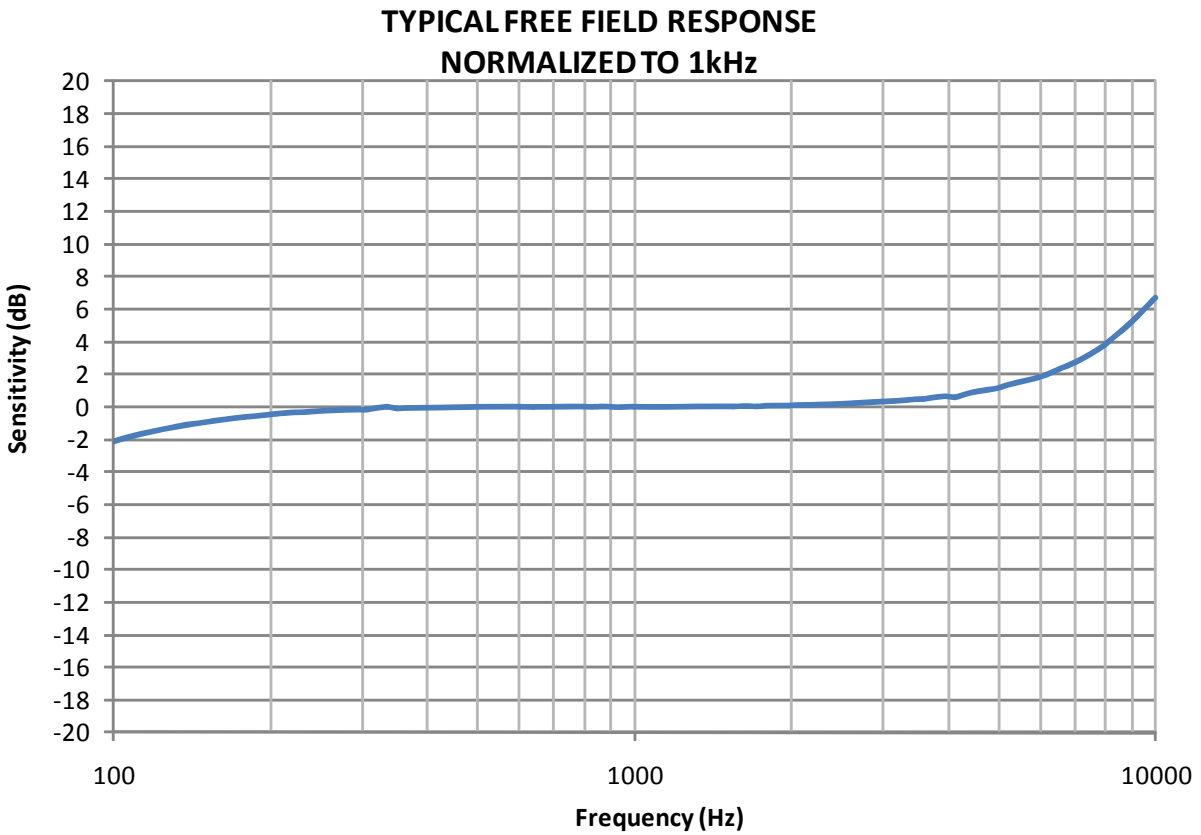
5. ACOUSTIC & ELECTRICAL SPECIFICATIONS

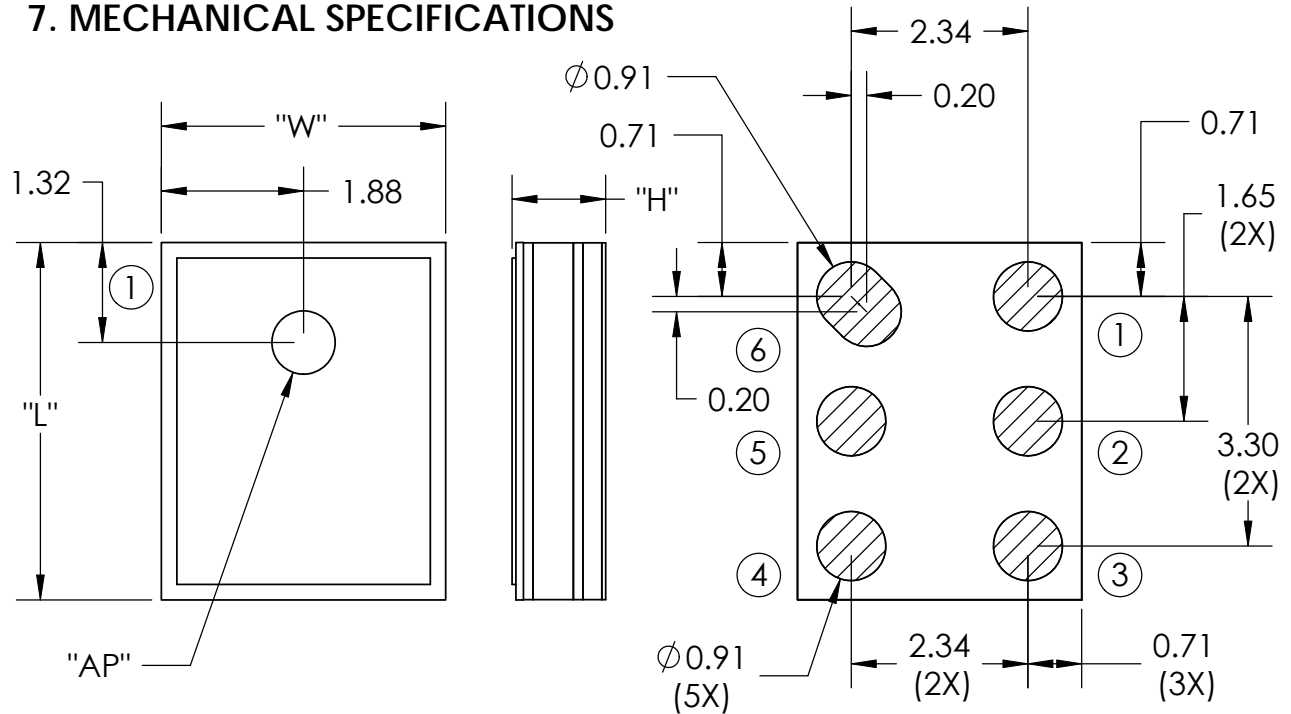
TEST CONDITIONS: 23 ±2°C, 60-70% R.H., $V_{DD}(\min) \leq V_{DD} \leq V_{DD}(\max)$, $f_{clock}=2.4\text{MHz}$, no load, unless otherwise specified

Parameter	Symbol	Condition	Limits			Unit
			Min.	Nom.	Max.	
Supply Voltage ¹	V_{DD}		1.6	---	3.6	V
Current Consumption ¹	I_{DD}		---	---	600	μA
Standby Current (sleep mode)	$I_{STANDBY}$	$f_{clock} < 1\text{kHz}$	---	25	50	μA
Directivity			Omni-directional			
Sensitivity ¹	S	94 dB SPL @ 1kHz	-29	-26	-23	dBFS
Signal to Noise Ratio	SNR	94 dB SPL @ 1kHz, A-weighted	---	56	---	dB(A)
Total Harmonic Distortion + Noise	THD+N	100 dB SPL @ 1kHz	---	---	1	%
		115 dB SPL @ 1kHz	---	---	10	%
Polarity		Increasing sound pressure	Decreasing density of 1's			
Fall-asleep Time		$f_{clock} < 1\text{kHz}$	---	---	10	msec
Wake-up Time		$f_{clock} \geq 1\text{MHz}$	---	---	10	msec
Short Circuit Output Current	I_{SC}	Grounded output pin	---	1	10	mA
Output Load	C_{LOAD}		---	---	100	pF
Data Format			1/2 Cycle PDM			
Clock Frequency	f_{clock}		1.0	---	3.25	MHz
Clock Duty Cycle			40	---	60	%
Clock Rise Time	t_{cr}		---	---	10	nsec
Clock Fall Time	t_{cf}		---	---	10	nsec
Logic Input/Output Low	V_{IOL}	$I_{out} = 1\text{ma}$	-0.3	---	$0.35 \times V_{DD}$	V
Logic Input/Output High	V_{IOH}	$I_{out} = 1\text{ma}$	$0.65 \times V_{DD}$	---	$V_{DD} + 0.3$	V
Delay Time for Valid Data	t_{dv}		18	---	60	nsec
Delay time for High Z	t_{dz}		0	---	16	nsec

¹ 100% tested

6. FREQUENCY RESPONSE CURVE



7. MECHANICAL SPECIFICATIONS


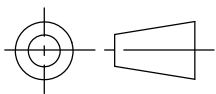
ITEM	DIMENSION	TOLERANCE	UNITS
LENGTH (L)	4.72	±0.10	mm
WIDTH (W)	3.76	±0.10	mm
HEIGHT (H)	1.25	±0.10	mm
ACOUSTIC PORT (AP)	Ø0.84	±0.10	mm

PIN OUTPUT	
PIN #	FUNCTION
1	GROUND (GND)
2	SELECT
3	GROUND (GND)
4	CLOCK (CLK)
5	DATA
6	POWER (V _{DD})

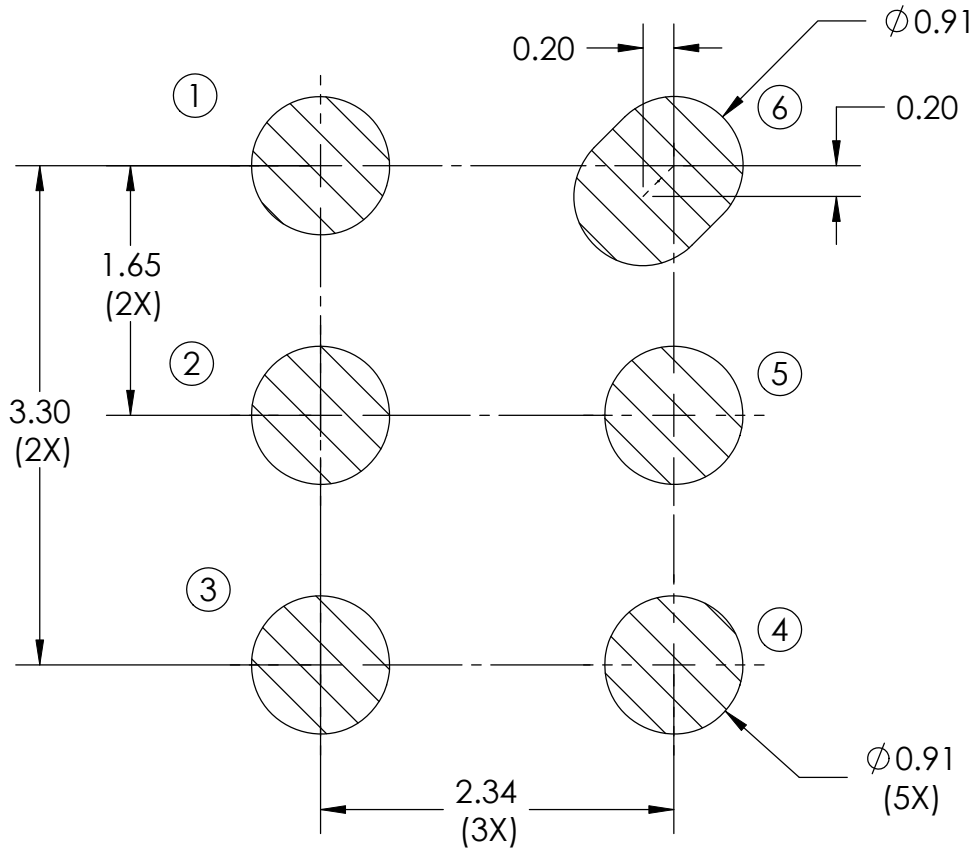
Note:

Dimensions are in millimeters unless otherwise specified.

Tolerance ±0.15mm unless otherwise specified.



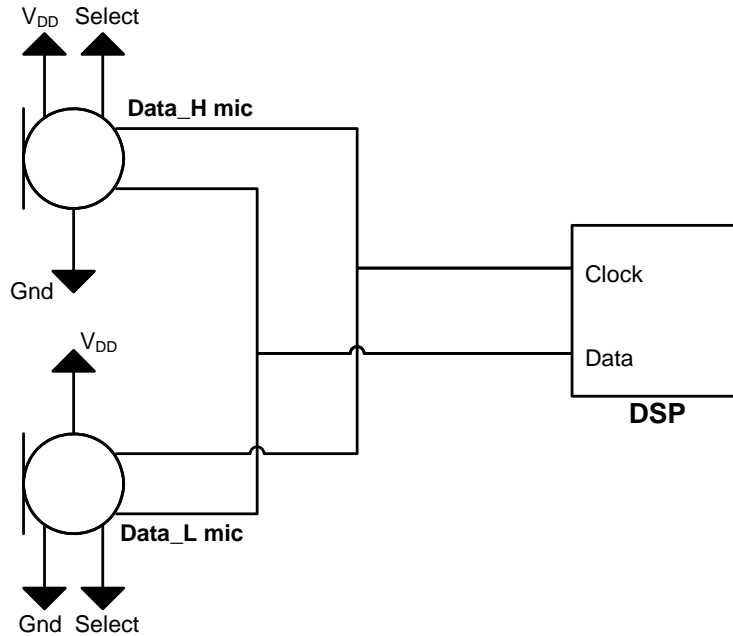
8. RECOMMENDED CUSTOMER LAND PATTERN



9. RECOMMENDED SOLDER STENCIL PATTERN

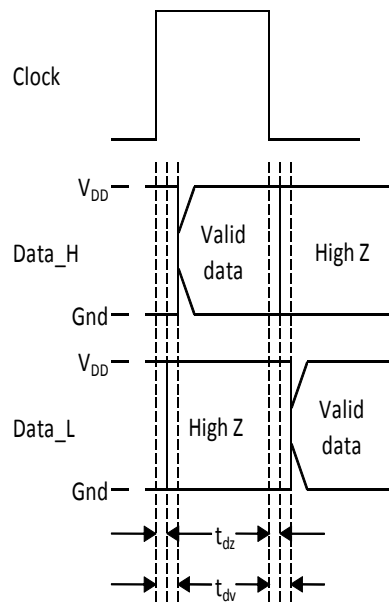
N/A

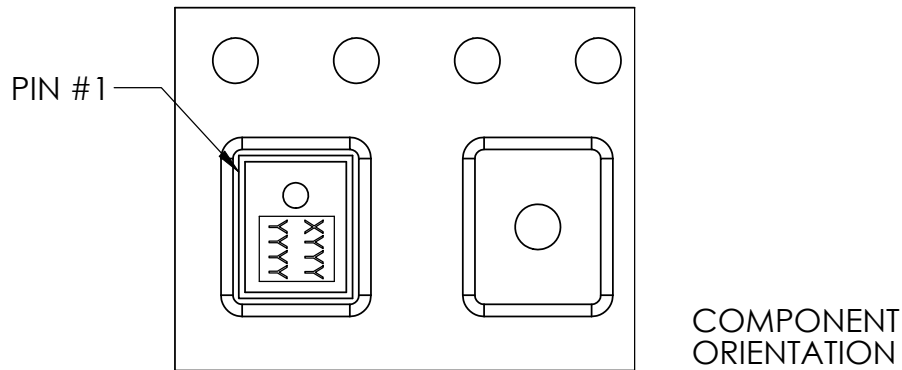
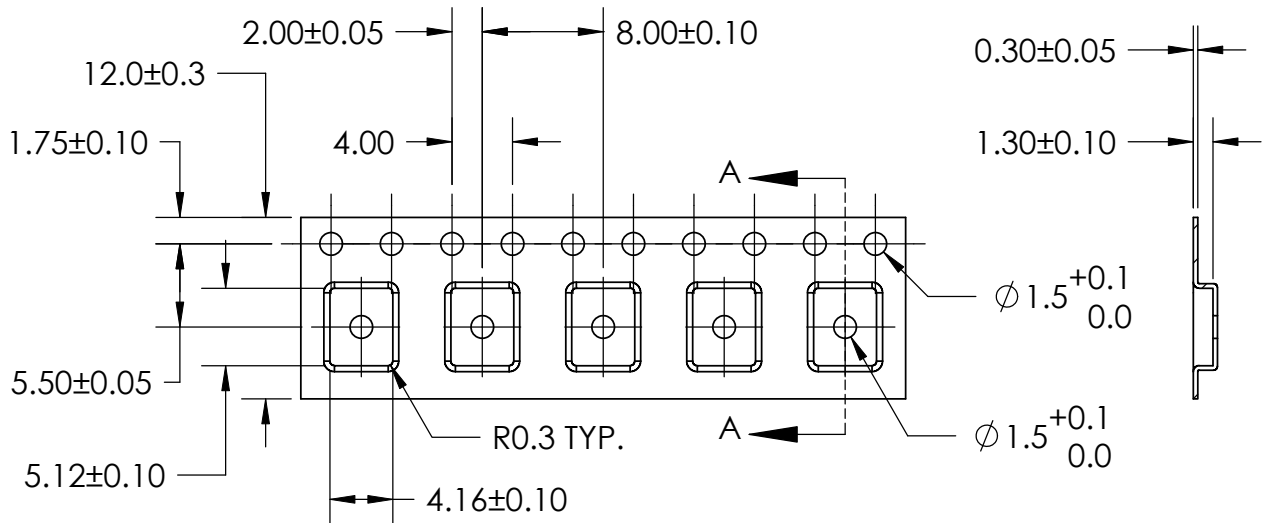
10. RECOMMENDED INTERFACE CIRCUIT & TIMING DIAGRAM



LABEL	Select	Drives data after	High-Z after
Data_H	High	Rising clock edge	Falling clock edge
Data_L	Low	Falling clock edge	Rising clock edge

TIMING DIAGRAM



11. PACKAGING DETAIL


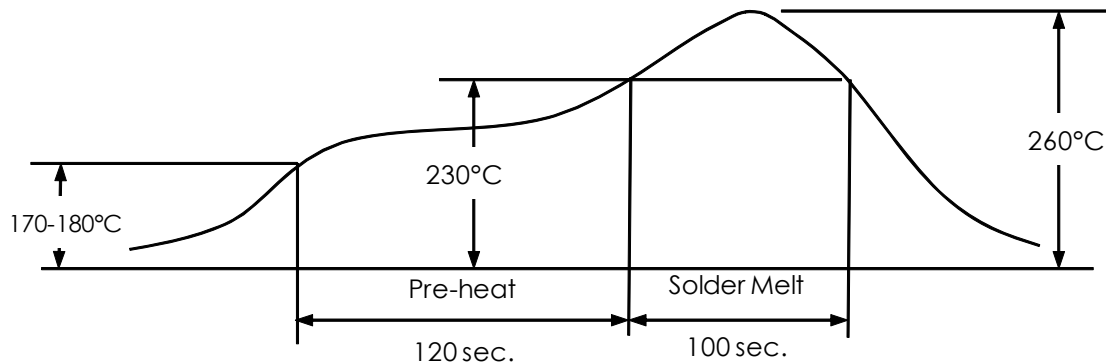
MODEL NUMBER	SUFFIX	REEL DIAMETER	QUANTITY PER REEL
SPM0423HD4H-WB	-2	7"	1,200
	-6	13"	4,800

TAPE & REEL	PER EIA-481
LABEL	LABEL APPLIED TO EXTERNAL PACKAGE & DIRECT TO REEL.

Note:

Dimensions are in millimeters unless otherwise specified.

12. SOLDER FLOW PROFILE



Stage	Temperature Profile	Time (maximum)
Pre-heat	170 ~ 180°C	120 sec.
Solder Melt	Above 230°C	100 sec.
Peak	260°C maximum	30 sec.

13. ADDITIONAL NOTES

- (A) Shelf life: Twelve (12) months when devices are to be stored in factory supplied, unopened ESD moisture sensitive bag under maximum environmental conditions of 30°C, 70% R.H.
- (B) MSL (moisture sensitivity level) Class 2a.
- (C) Do not pull a vacuum over port hole of the microphone. Pulling a vacuum over the port hole can damage the device.
- (D) Do not board wash after the reflow process. Board washing and cleaning agents can damage the device. Do not expose to ultrasonic processing or cleaning.
- (E) Do not brush board after the reflow process. Brushing the board with/without solvents can damage the device.
- (F) Do not insert any object in port hole of device at any time as this can damage the device.
- (G) Number of reflow - Recommend no more than 3 cycles.

14. RELIABILITY SPECIFICATIONS

Note: After test conditions are performed, the sensitivity of the microphone shall not deviate more than 3dB from its initial value.

Test	Description
Thermal Shock	100 cycles of air-air thermal shock from -40°C to +125°C with 15 minute soaks. (IEC 68-2-4)
High Temperature Storage	+105°C environment for 1,000 hours. (IEC 68-2-2 Test Ba)
Low Temperature Storage	-40°C environment for 1,000 hours. (IEC 68-2-2 Test Aa)
High Temperature Bias	+105°C environment while under bias for 1,000 hours. (IEC 68-2-2 Test Ba)
Low Temperature Bias	-40°C environment while under bias for 1,000 hours. (IEC 68-2-2 Test Aa)
Temperature / Humidity Bias	+85°C/85% R.H. environment while under bias for 1,000 hours. (JESD22-A101A-B)
Vibration	4 cycles lasting 12 minutes from 20 TO 2,000 Hz in X, Y and Z direction with peak acceleration of 20g. (MIL 883E, Method 2007.2, A)
Electrostatic Discharge	3 discharges at +/-8kV direct contact to lid when unit is grounded (IEC 61000-4-2) and 3 discharges at +/-2kV direct contact to I/O pins. (MIL 883E, Method 3015.7)
Reflow	5 reflow cycles with peak temperature of +260°C.
Mechanical Shock	3 pulses of 10,000g in the X, Y and Z direction. (IEC 68-2-27, Test Ea)

15. SPECIFICATION REVISIONS

Revision	Detailed Specification Changes	Date
A	Specification Release (C10111410)	06/30/10
B	Typographical error and format fixes not changing content.	10/20/10

The information contained in this literature is based on our experience to date and is believed to be reliable and it is subject to change without notice. It is intended as a guide for use by persons having technical skill at their own discretion and risk. We do not guarantee favorable results or assume any liability in connection with its use. Dimensions contained herein are for reference purposes only. For specific dimensional requirements consult factory. This publication is not to be taken as a license to operate under, or recommendation to infringe any existing patents. This supersedes and voids all previous literature.

X-ON Electronics

Largest Supplier of Electrical and Electronic Components

Click to view similar products for [MEMS Microphones](#) category:

Click to view products by [Knowles](#) manufacturer:

Other Similar products are found below :

[8103AC8333S25.00000X](#) [S-VM2020-C](#) [SPK0838HT4H-1](#) [MMICT4076-00-908](#) [MMICT4078-00-908](#) [ICS-41352](#) [ASFLM1-25.000MHZ-C](#)
[5000AC-8E-25E0-25.000000X](#) [ICS-40300](#) [ICS-40618](#) [ICS-43432](#) [INMP504ACEZ-R7](#) [3807ACTC3-33EG-8.19200](#) [SIT9120AC-2C2-](#)
[25E125.000000](#) [SIT9120AC-2C2-25E200.000000](#) [SIT9121AI-2C3-33E100.000000](#) [9120AI-2C3-25E100.0000](#) [MP34DB01TR](#) [8002AI-13-](#)
[33E16.00000](#) [5001AI-2D-18N0-20.000000](#) [MM042602-4](#) [MM042602-5](#) [MM033802-1](#) [ICS-43434](#) [ASFLM2-28.224MHZ-LR-T](#) [ICS-40310](#)
[ICS-40720](#) [INMP621ACEZ-R7](#) [9003AC-14-33EQ25.00000](#) [SIT9120AC-2C2-33E125.000000](#) [1618AA-13-33S-16.000000G](#) [PMM-3738-](#)
[VM1000-R](#) [64-8801](#) [IM69D120V01XTSA1](#) [IM69D130V01XTSA1](#) [SPA1687LR5H-1](#) [SPG08P4HM4H-1](#) [SPH0611LR5H-1](#)
[SPH0641LM4H-1](#) [SPH0644LM4H-1](#) [SPH0645LM4H-B](#) [SPH0690LM4H-1](#) [SPH1642HT5H-1](#) [SPH1668LM4H-1](#) [SPH6611LR5H-1](#)
[SPK0415HM4H-B](#) [SPK0641HT4H-1](#) [SPM0687LR5H-1](#) [SPM1423HM4H-B](#) [SPQ1410HR5H-B](#)