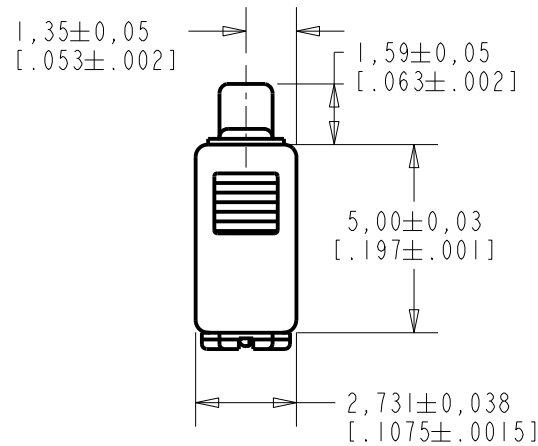
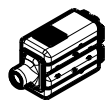
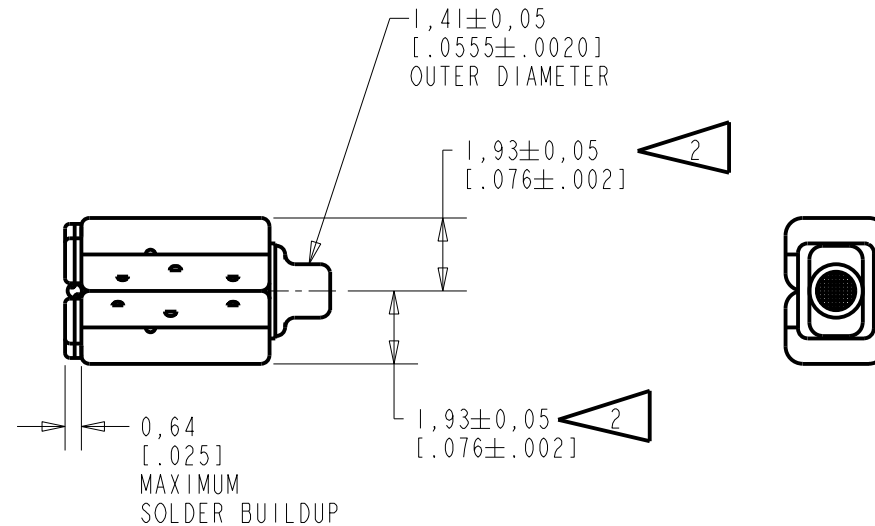
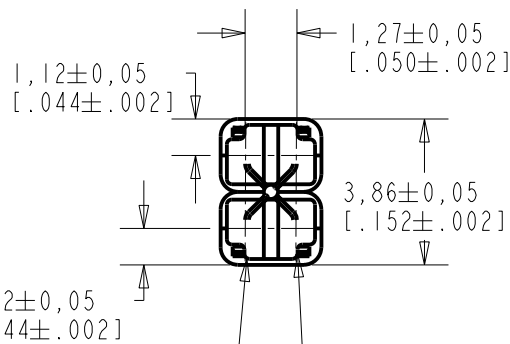


**SWFK-32254-000**  
SHT 1.1



NOTES:

- 1 A POSITIVE GOING VOLTAGE AT TERMINAL 2, RELATIVE TO TERMINAL 1, CAUSES A DECREASE IN PRESSURE AT THE SOUND OUTLET.
- 2 LOCATED FROM TWO SURFACES FOR CUSTOMER CONVENIENCE. ONLY APPLICABLE FROM ONE SURFACE, NOT TO BE USED TOGETHER.



1 TERMINAL 1 (NEGATIVE)  
2 TERMINAL 2 (POSITIVE)

SCALE 2:1  
NOMINAL WEIGHT 0.19 GRAMS  
DIMENSIONS IN MILLIMETERS [INCHES]

**KNOWLES ELECTRONICS**  
ITASCA, ILLINOIS U.S.A.

Revision	C.O. #	Implementation Date	RELEASE LEVEL	REVISION
A	PI0000067	7-14-15	Active	A

SCALE: 5:1		DR. BY	DATE
DO NOT SCALE DRAWING		LW	7-14-15
TITLE: RECEIVER		CK. BY	DATE
OUTLINE DRAWING		GJP	7-16-15
SWFK-32254-000		APP. BY	DATE
SHT 1.1		GJP	7-16-15

1000	-2.0	97.0	+2.0
3000-4000 PEAK	+5.0	+8.0	+11.0
6600-7600 PEAK	0.0	+3.0	+6.0

TEMPERATURE  
 OPERATING: SENSITIVITY WILL NOT VARY MORE  
 THAN +1 / -3 dB FROM -17°C TO 63°C.  
 STORAGE: -40°C TO 63°C.

TABLE 1

TOTAL HARMONIC DISTORTION  
 DEVICE WILL NOT EXCEED TOTAL HARMONIC DISTORTION LEVELS LISTED BELOW.

FREQUENCY (Hz)	AC DRIVE (V rms)	DC BIAS (V)	LIMIT (%)
1166	.094	0	5
1750	.094	0	5
1750	.265	0	10

TABLE 2

TEST CONDITIONS

NOMINAL SOURCE VOLTAGE	0.94 V rms, 0 mA DC BIAS
SOURCE IMPEDANCE	<0.2 Ohm
TUBING	10 mm [.394"] LONG, 1mm [.039"] I.D.
COUPLER CAVITY	2 CM <sup>3</sup> , SIMULATED ANSI S3.7 TYPE HA-3 (IEC 60318-5)

TABLE 3

ELECTRICAL

DC RESISTANCE	6.3 Ohms ± 10%	
IMPEDANCE @ 500 Hz	6.8 Ohms ± 20%	MEASURED WITH 5.8 mArms, 0dc DRIVE
IMPEDANCE @ 1kHz	7.2 Ohms ± 20%	MEASURED WITH 5.8 mArms, 0dc DRIVE

TABLE 4

ISOLATION: CASE WILL BE ELECTRICALLY ISOLATED FROM THE COIL CIRCUIT.

Revision	C.O. #	Implementation Date	RELEASE LEVEL	REVISION
			<b>Active</b>	<b>A</b>
A	PI0000067	7-14-15		

**KNOWLES ELECTRONICS**  
 ITASCA, ILLINOIS U.S.A.

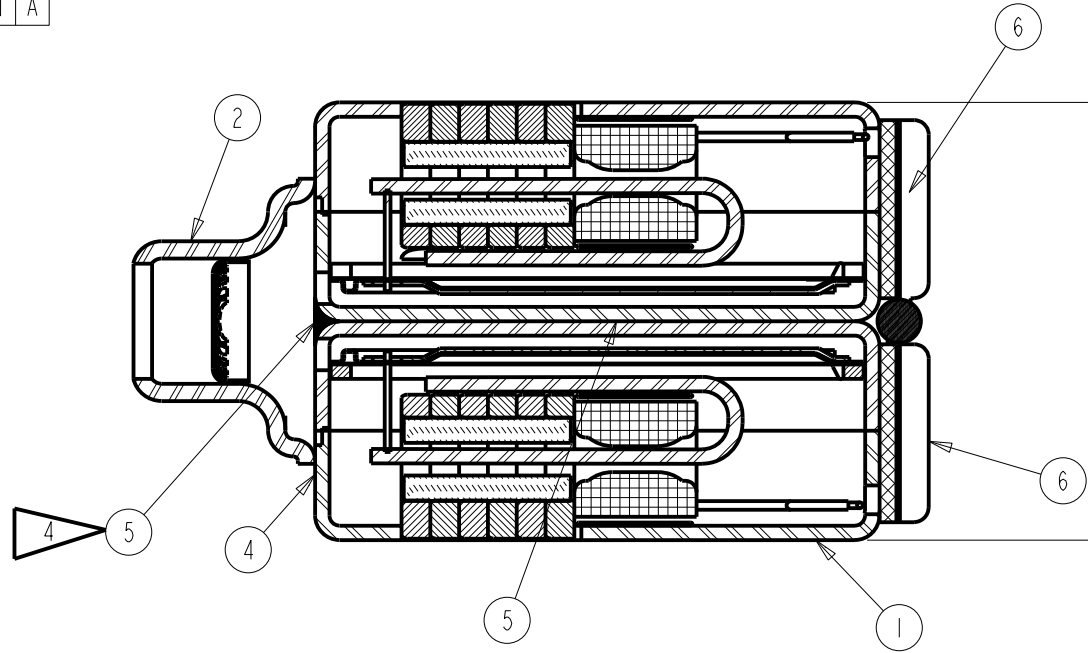
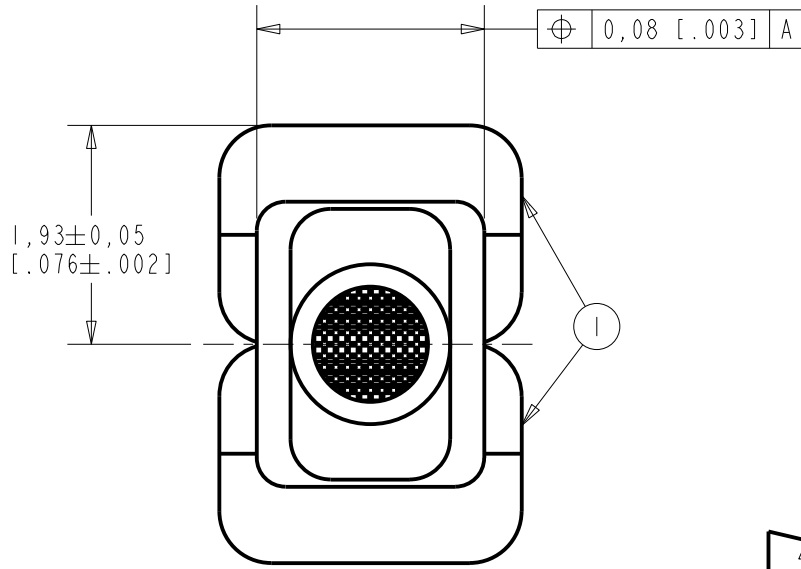
WHEN TEST LIMITS ARE USED TO ESTABLISH INCOMING INSPECTION ACCEPTANCE/REJECTION CRITERIA, CORRELATION OF TEST EQUIPMENT WITH KNOWLES IS ALSO REQUIRED FOR ELIMINATION OF EQUIPMENT AND TEST METHOD VARIATION

DR. BY DATE  
 LW 7-14-15

TITLE: **RECEIVER** **SWFK-32254-000**  
 PERFORMANCE SPECIFICATION **SHT 2.1**

CK. BY DATE  
 GJP 7-16-15  
 APP. BY DATE  
 GJP 7-16-15

PROPRIETARY NOTE: THIS DOCUMENT CONTAINS INFORMATION WHICH IS THE PROPRIETARY PROPERTY OF KNOWLES ELECTRONICS, LLC, OR ITS AFFILIATED ENTITIES. IT IS ISSUED IN STRICT CONFIDENCE AND SHALL NOT BE REPRODUCED, COPIED, USED, OR DISCLOSED TO ANY THIRD PARTY PARTIALLY OR WHOLLY IN ANY MANNER WITHOUT PRIOR WRITTEN PERMISSION OF, AND MUST BE RETURNED UPON REQUEST BY, KNOWLES ELECTRONICS, LLC.



SECTION A-A

DIMENSIO

MATERIAL		SEE BILL OF MATERIAL	
REF.	NONE	A	c.o. P10000067
UNLESS OTHERWISE SPECIFIED, DIMENSIONS ARE IN INCHES			
THIRD ANGLE PROJECTION			

8

7

6

5

4

FH-172-022	I	TUBE ASSEMBLY		2	2
103-012	A/R	WIRE		3	3
13-825-3145	A/R	CEMENT		4	4
13-637	I	LOCTITE 496 CEMENT		5	5
285-007-221	I	SOLDER LEAD FREE		6	6

REVISION	A	P10000067

SWFK-32254-000  
Sheet 4.1

PROPRIETARY NOTE: THIS DOCUMENT CONTAINS INFORMATION WHICH IS THE PROPRIETARY PROPERTY OF KNOWLES ELECTRONICS, LLC. OR ITS AFFILIATED ENTITIES. IT IS ISSUED IN STRICT CONFIDENCE AND SHALL NOT BE REPRODUCED, COPIED, USED, OR DISCLOSED TO ANY THIRD PARTY PARTIALLY OR WHOLLY IN ANY MANNER WITHOUT PRIOR WRITTEN PERMISSION OF, AND MUST BE RETURNED UPON REQUEST BY, KNOWLES ELECTRONICS, LLC.

REV: D

**KNOWLES ELECTRONICS**  
**ITASCA, ILLINOIS U.S.A.**

Revision	C.O. #	Implementation Date	RELEASE LEVEL	REVISION
			<b>Active</b>	<b>A</b>
A	PI0000067	7-14-15		
<small>WHEN TEST LIMITS ARE USED TO ESTABLISH INCOMING INSPECTION ACCEPTANCE/REJECTION CRITERIA, CORRELATION OF TEST EQUIPMENT WITH KNOWLES IS ALSO REQUIRED FOR ELIMINATION OF EQUIPMENT AND TEST METHOD VARIATION</small>				
<small>TITLE:</small>		<b>RECEIVER</b>	<b>SWFK-32254-000</b>	<small>DR. BY</small> <small>DATE</small> LW              7-14-15
		PERFORMANCE SPECIFICATION	<b>SHT 5.1</b>	<small>CK. BY</small> <small>DATE</small> GJP             7-16-15 <small>APP. BY</small> <small>DATE</small> GJP             7-16-15

## X-ON Electronics

Largest Supplier of Electrical and Electronic Components

*Click to view similar products for [Speakers & Transducers](#) category:*

*Click to view products by [Knowles](#) manufacturer:*

Other Similar products are found below :

[FC-30814-P127](#) [PB-1220PE](#) [PB-2015PQ](#) [900-00001](#) [AB2025B-LW50-R](#) [SWFK-31736-000](#) [PT-2065FW](#) [PT-4175W](#) [AT-2830-TW-LW35-R](#)  
[ED-30761-000](#) [CI-30120-A42](#) [SMT-0440-T-2-R](#) [PB-0927PQ](#) [BF-7083-000](#) [BF-9778-000](#) [SMS2020-08H4.5](#) [LF](#) [BDT1717-08H6.5W56MLF](#)  
[BLS50-1-08H18.2B-03](#) [LF](#) [02094](#) [02097](#) [GSPK1003PN-8R0.2W-L100](#) [GSPK151103TN-8R0.2W](#) [GSPK2014035PN-8R0.5W-L100](#)  
[FS5353DS0830-H19.3](#) [TE082703-8](#) [XMLP040BD21F](#) [24520](#) [SMT-0540-S-2-R](#) [1450069](#) [9091653](#) [9091661](#) [IPS-G6000-5](#) [9090231](#)  
[FS50MS0820-H9.7](#) [FS4014-4-2W](#) [PBM4-13.B29R.A115.0663](#) [PBM4-13.B31R.A115.0663](#) [PBM4-13.B33R.A115.0663](#) [PBM4-](#)  
[13.B35R.A115.0663](#) [A-10-6-BG360-HD1Z-GA-M4Z-ZW](#) [A-10-6-BG410-HD1Z-AA-M4Z-ZW](#) [A-10-6-BG410-HD1Z-FC-AGZ-ZW](#) [A-10-6-](#)  
[BG410-HD1Z-GA-M4Z-ZW](#) [A-10-6-BG310-HD1Z-AA-AGZ-ZW](#) [A-10-6-BG310-HD1Z-AA-M4Z-ZW](#) [A-10-6-BG310-HD1Z-GA-M4Z-ZW](#)  
[A-10-6-BG316-HD1Z-AA-AGZ-ZW](#) [A-10-6-BG316-HD1Z-AA-M4Z-ZW](#) [A-10-6-BG325-HD1Z-AA-AGZ-ZW](#) [A-10-6-BG325-HD1Z-AA-](#)  
[M4Z-ZW](#)