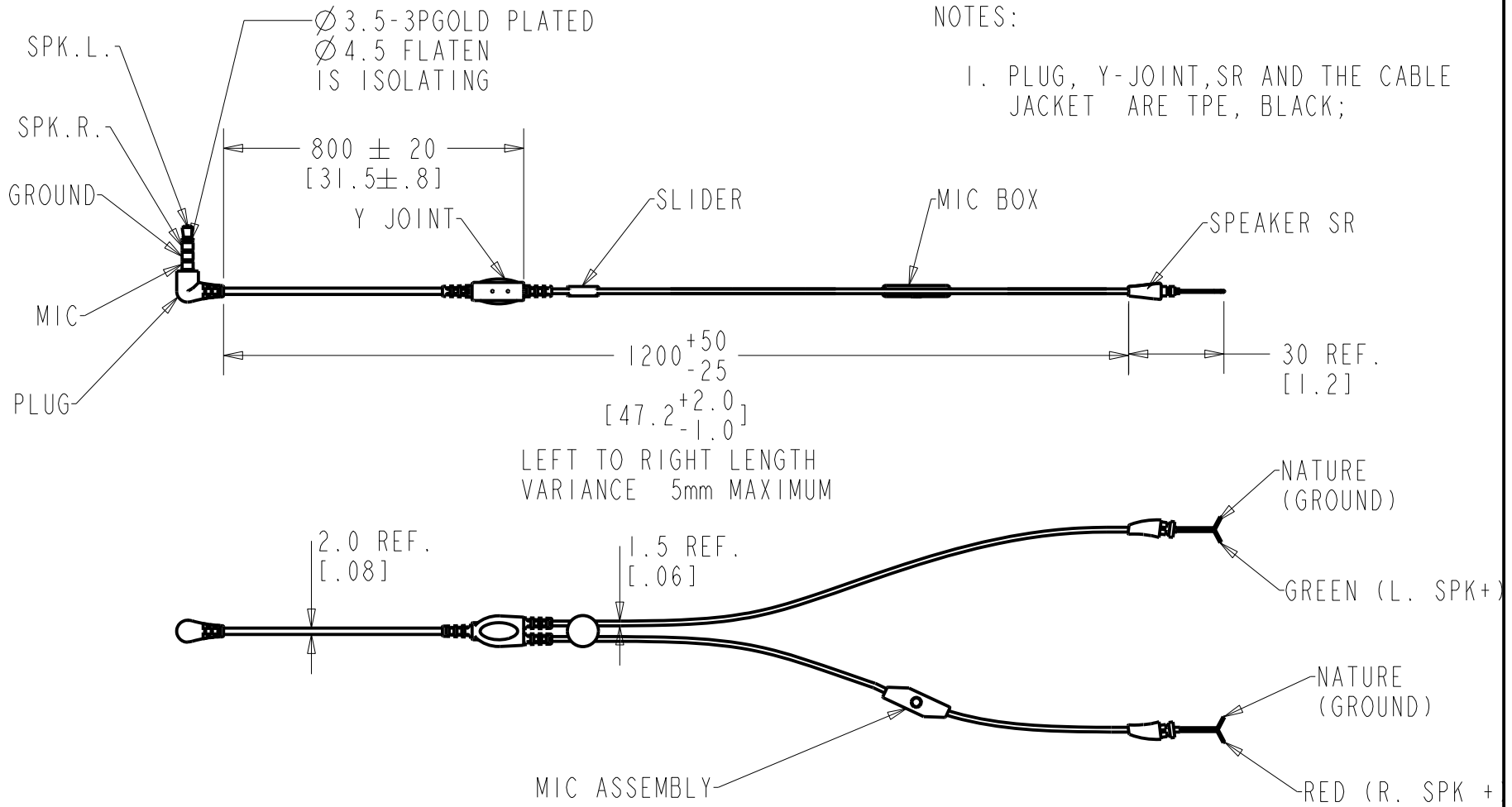


THE INFORMATION CONTAINED IN THIS LITERATURE IS BASED ON OUR EXPERIENCE TO DATE AND IS BELIEVED TO BE RELIABLE AND IT IS SUBJECT TO CHANGE WITHOUT NOTICE. IT IS INTENDED AS A GUIDE FOR USE BY PERSONS HAVING TECHNICAL SKILL AT THEIR OWN DISCRETION AND RISK. WE DO NOT GUARANTEE FAVORABLE RESULTS OR ASSUME ANY LIABILITY IN CONNECTION WITH ITS USE. DIMENSIONS CONTAINED HEREIN ARE FOR REFERENCE PURPOSES ONLY. FOR SPECIFIC DIMENSIONAL REQUIREMENTS CONSULT MANUFACTURER. THIS PUBLICATION IS NOT TO BE TAKEN AS A LICENSE TO OPERATE UNDER, OR RECOMMENDATION TO INFRINGE ANY EXISTING PATENTS. THIS SUPERSEDES AND VOIDS ALL PREVIOUS LITERATURE.

TC-32349-000
SHT 1.1



Revision	C.O. #	Implementation Date	RELEASE LEVEL	REVISION
			Active	A
A	C40101526	10-11-14		

KNOWLES ACOUSTICS
ITASCA, ILLINOIS U.S.A.

SCALE: 1:2		DR. BY: JL	DATE: 10-11-14
DO NOT SCALE DRAWING			
TITLE: CABLE ASSEMBLY		GJP	10-24-14
OUTLINE DRAWING		APP. BY: GJP	DATE: 10-24-14
TC-32349-000		SHT 1.1	

100	---	-44.5	---
200	---	-41.5	---
800	---	-39.0	---
1000	-43.0	-40.0	-37.0
1500	---	-39.5	---
5000	---	-38.5	---
6000	---	-41.5	---
10000	---	-40.0	---

100	-9.5	0.5
200	-6.5	3.5
800	-4.0	4.0
1000	-3.0	3.0
1500	-4.5	4.5
4000	-5.0	6.5
6000	-9.0	6.5

SENSITIVITY OF FINISHED GOODS. -40 dB RE 1.0V/Pa AT 1KHz

TEST CONTITION:

INLINE MIC EXPOSED TO 94dBSPL SWEPT.

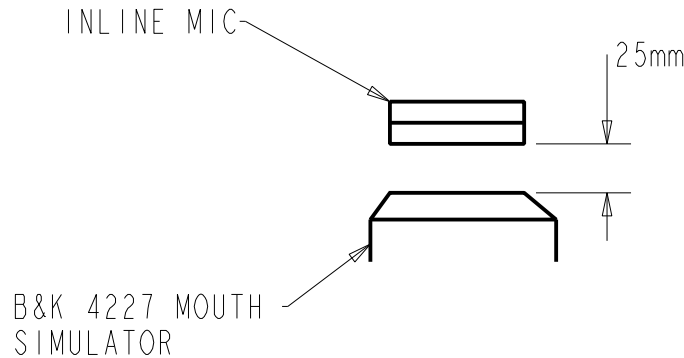
SOUND FIELD AT 25mm FROM VOICE APERTURE.

ARTIFICIAL VOICE: B&K 4227 MOUTH SIMULATOR

SOURCE VOLTAGE: 2.0V

RESISTANCE: 2.2K ohm

CURRENT DRAIN: 0.5 mA MAX.



Revision	C.O. #	Implementation Date	RELEASE LEVEL	REVISION
			Active	A
A	C40101526	10-11-14		

KNOWLES ACOUSTICS
ITASCA, ILLINOIS U.S.A.

WHEN TEST LIMITS ARE USED TO ESTABLISH INCOMING INSPECTION ACCEPTANCE/REJECTION CRITERIA, CORRELATION OF TEST EQUIPMENT WITH KNOWLES IS ALSO REQUIRED FOR ELIMINATION OF EQUIPMENT AND TEST METHOD VARIATION

DR. BY	DATE
JL	10-11-14
CK. BY	DATE
GJP	10-24-14
APP. BY	DATE
GJP	10-24-14

TITLE:	CABLE ASSEMBLY	TC-32349-000
	PERFORMANCE SPECIFICATION	SHT 2.1

X-ON Electronics

Largest Supplier of Electrical and Electronic Components

Click to view similar products for [Audio Cables](#) / [Video Cables](#) / [RCA Cables](#) category:

Click to view products by [Knowles](#) manufacturer:

Other Similar products are found below :

[59384500100E](#) [RCA10RCA](#) [DB25M05DB25MY](#) [DB25M10DB25MY](#) [DB25M10XLRMXLRFY](#) [1-3737-600-3216](#) [15AK25X](#) [CA19](#) [CA20](#)
[CAG34](#) [25FK25](#) [LF3BLX](#) [30-513](#) [28-511-0](#) [30-419](#) [30AR30](#) [30AK30](#) [30AN30](#) [RCA05RCA](#) [RCA05RCAB](#) [RCA05TS](#) [RCA10RCAB](#)
[420001400-3](#) [426058900-3](#) [427493000-3](#) [49152A-010-S2](#) [TT6RX](#) [TT7BKX](#) [TT93602](#) [32-3766](#) [32HR07284X](#) [CA25B](#) [CA39](#)
[DB25M02XLRMXLRFY](#) [LF1BKX](#) [LF3RX](#) [49442 010S2](#) [DVI-I-VGA/DVI-D-CBL-MATRIX](#) [VMP3YX](#) [VMP2YX](#) [TT746](#) [TT744](#) [CN13B](#)
[MDC4P13](#) [MDC8P53](#) [LF4GNX](#) [LF2GYX](#) [426494200-3](#) [49153A 010S2](#) [LF1RX](#)