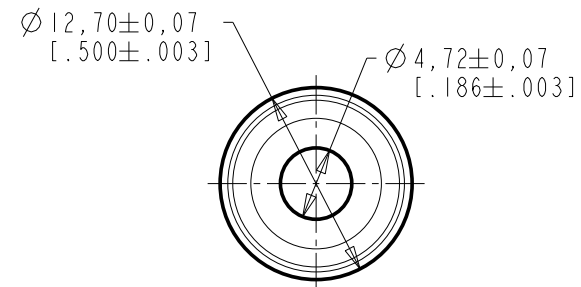
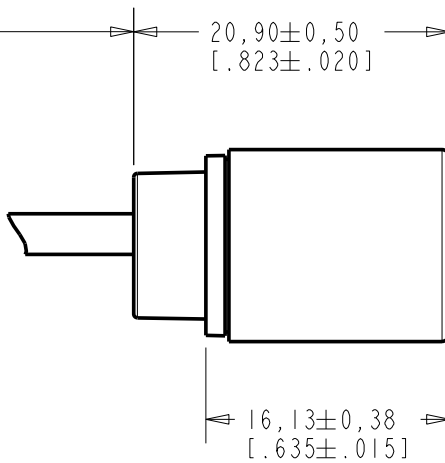
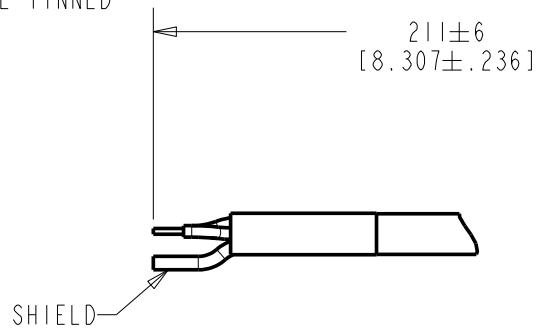
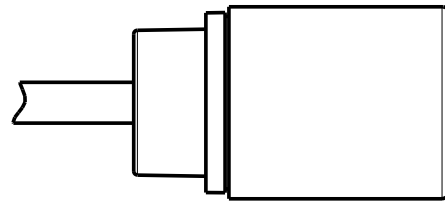
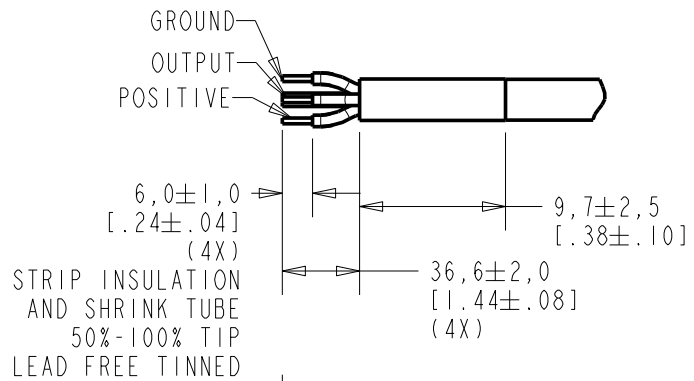


VEK-H-30320-000
SHT 1.1



WIRE COLOR				WEIGHT GRAMS
+ve	OUTPUT	-ve	SHIELD	
RED	WHITE	BLACK	HEATSHRINK	4.6

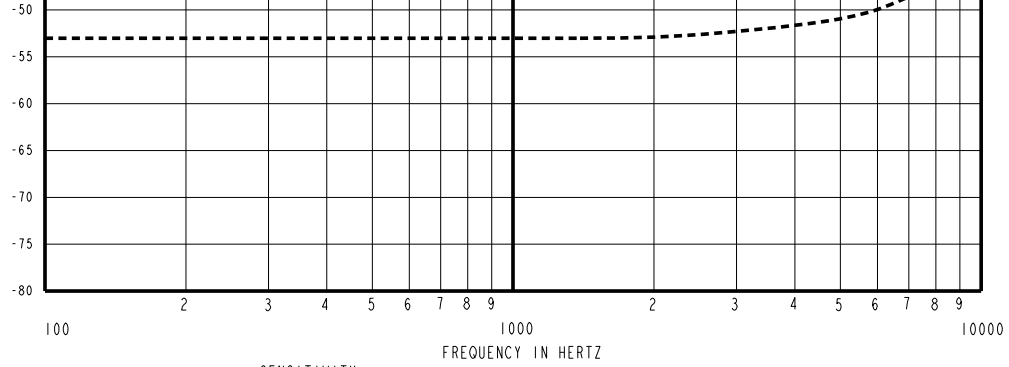
DIMENSIONS IN MILLIMETERS [INCHES]

Revision	C.O. #	Implementation Date	RELEASE LEVEL	REVISION
B	C10107751	8-19-08	Active	B
A	C10107375	7-7-08		

SCALE:	2:1		DR. BY	DATE
DO NOT SCALE DRAWING			TT	7-7-08
TITLE:	MICROPHONE	VEK-H-30320-000	CK. BY	DATE
OUTLINE DRAWING		SHT 1.1	GJP	7-15-08
			APP. BY	DATE
			GJP	7-15-08

KNOWLES ELECTRONICS
ITASCA, ILLINOIS U.S.A.

SENSITIVITY IN dB RELATIVE TO 1.0 VOLT
FOR CONDITIONS SHOWN BELOW.

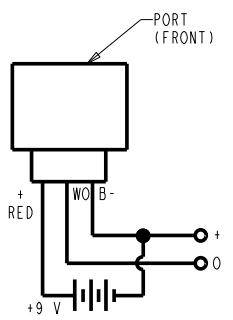


FREQUENCY	SENSITIVITY			DEVICE CONFORMITY	
	MIN.	NOM.	MAX.	RANGE OF DEVIATION FROM 1KHZ	
100	---	-53.0	---	-3.0	+3.0
1000	-56.0	-53.0	-50.0	0.0	0.0
10000	---	-46.0	---	+3.0	+11.0

NOTES:

- MICROPHONE TO BE FUNCTIONAL WITH 10 VDC SUPPLY.
- CONFORMS TO REQUIREMENTS SHOWN ON 'ELECTRET MICROPHONE ENVIRONMENTAL QUALIFICATIONS TEST, EK-PA SHEET 2.2' WITH REF. FREQ. 1000 Hz.
- TYPICAL SENSITIVITY TO HUMIDITY AT 1000 Hz IS 0.02 dB/%RH.
- SENSITIVITY AND NOISE VALUES INDICATED ON THIS SPECIFICATION ARE VALID AT 50% HUMIDITY..
- TEST CONDITIONS:
SEAL PRODUCT TO 74 dB SPL SWEPT
SOUND FIELD CREATED BY VOICE APERTURE.
B & K 4227 MOUTH SIMULATOR.
- FOR MICROPHONE CAPSULE SPEC. SEE EK-30436-000

DC SUPPLY	AMPLIFIER CURRENT DRAIN	"A" WEIGHTED NOISE (1 kHz EQUIV. SPL)	OUTPUT IMPEDANCE OHMS		
			MIN.	NOM.	MAX.
9.0V	N/A	26.0 dB MAX.	N/A	N/A	N/A



KNOWLES ELECTRONICS
ITASCA, ILLINOIS U.S.A.

Revision	C.O. #	Implementation Date	RELEASE LEVEL	REVISION
B	C10107751	8-19-08	Active	B
A	C10107375	7-7-08		
<small>WHEN TEST LIMITS ARE USED TO ESTABLISH INCOMING INSPECTION ACCEPTANCE/REJECTION CRITERIA, CORRELATION OF TEST EQUIPMENT WITH KNOWLES IS ALSO REQUIRED FOR ELIMINATION OF EQUIPMENT AND TEST METHOD VARIATION</small>			DR. BY	DATE
TITLE: MICROPHONE VEK-H-30320-000 PERFORMANCE SPECIFICATION SHT 2.1			TT	7-7-08
			CK. BY	DATE
			GJP	7-15-08
			APP. BY	DATE
			GJP	7-15-08

X-ON Electronics

Largest Supplier of Electrical and Electronic Components

Click to view similar products for [Microphones](#) category:

Click to view products by [Knowles](#) manufacturer:

Other Similar products are found below :

[BCM4013OLFC-42-JST-ZHR-2](#) [TO38-30702-B20](#) [SPM04C-38/1186-T/R](#) [BCM4013OSBC-42 LF](#) [TOW-1242P-R](#) [BCM9745-44](#) [BCM9765](#)
[BCM9767P](#) [LD-MC-6035](#) [PMOF-9745S-42UQ](#) [ROM-2235L-HD-R](#) [DUM-4546L-C3310-R](#) [CMC-4015-130T](#) [CMC-6050-40T](#) [CMC-6035-](#)
[130T](#) [CMC-6015-47P](#) [BCM9745P-44](#) [BCM9767-42](#) [254-ECM644-RO](#) [LD-MC-4011](#) [LD-MC-6027](#) [LD-MC-6035W](#) [LD-MC-9765P](#) [LD-](#)
[MC-9765W](#) [FG-23629-D65](#) [254-FP270-RO](#) [BCM9765P-44](#) [CMC-5042PF-AC](#) [CMC-6010-42L100](#) [CMC-9745-L100](#) [CMC-3015-44T](#) [CMC-](#)
[4015-25T](#) [CMC-6013-38T](#) [CMC-6022-37L100](#) [CMC-6027-24T](#) [CMC-6027-32T](#) [GMI4522P-2C-30db](#) [GMI4522P-2C-50db](#) [GMI4522P-2C-](#)
[52db](#) [GMI6027P-2C66DB](#) [GMA3526H10-B26](#) [GMA4030H11-F26](#) [GMI4015-32DB](#) [GMI4015-40DB](#) [GMI4015P-36DB](#) [GMI4015P-46DB](#)
[GMI4015P-54DB](#) [GMI4015P-58DB](#) [GMI4022U-2C32DB](#) [GMI4022U-2C34DB](#)