

KNSCHA[®]

全球 高 端 电 容 器 制 造 商

东莞市科尼盛电子有限公司

DONGGUAN KNSCHA ELECTRONICS CO., LTD.

规格承认书

Specification for approval

客户名称:

(Customer Name)

产品名称:

(Product Name)

客户料号:

(Customer part number)

科尼盛料号:

(KNSCHA number)

型号规格:

(Specifications)

铝电解电容

Aluninum Electrolytic Capacitor

01EC4311

01EC4311

KNSCHA 50V22 μ F Φ 5*11 SHCKNSCHA 50V22 μ F Φ 5*11 SHC制 造
(Manufacture)

Approval

拟 制
(Fiction)审 核
(Chief)核 准
(Approval)

吴玉凤

刘军军

徐贵南

客 户
(Customer)

Approval

检 验
(Inspect)审 核
(Chief)核 准
(Approval)**东莞市科尼盛电子有限公司**

DONG GUAN KNSCHA ELECTRONICS CO.,LTD.

No. 8th floor, A3 building, R&D center (Phase I),

Songshan Lake Intelligent Valley, Liaobu Town, Dongguan City.

TEL:0769-83698067 81035570

FAX: 0769-83861559

Email : sales@knscha.com Website: http://www.knscha.com



SHC Series

Aluminum Electrolytic Capacitors

| Item Name | Rating | Case size | KNSCHA Lifetime |
|-----------|-------------------|--------------|-----------------|
| 01EC4311 | SHC 50V22 μ F | Φ 5*11L | 2000 hours |

1. Operating Temp. Range

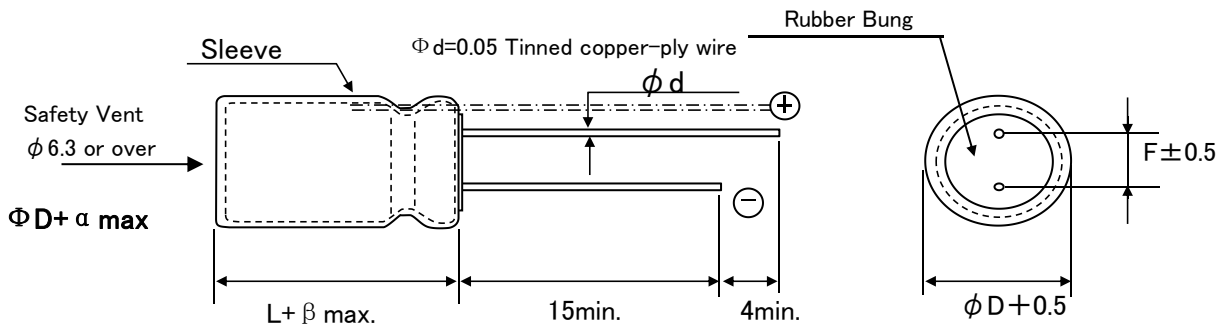
-40°C ~ +105°C

2. Electrical Characteristics

【Table 1】

| Rated Voltage VDC | Surge Voltage VDC | Nominal Static Capacitance (μ F) | Tolerance on Capacitance(%) 20°C 120Hz | Dissipation Factor ($\tan \delta$)max 20°C 120Hz | Leakage Current 2min. 20°C (μ A)max |
|-------------------|-------------------|---------------------------------------|----------------------------------------|----------------------------------------------------|------------------------------------------|
| 50 | 63 | 22 | -20~+20 | 0.12 | 11 |

3. Dimensions



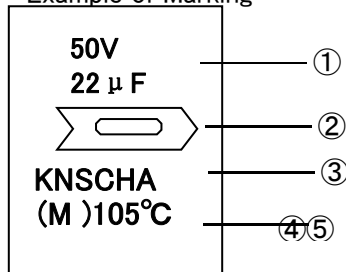
Unit(mm)

| | | | |
|--------------------|-------------|-------------|--------------|
| $\phi D + 0.5$ Max | $L + 2$ Max | $F \pm 0.5$ | $d \pm 0.05$ |
| 5 | 11 | 2.0 | 0.5 |

4. Marking

Following items are printed with white color on black color sleeve

Example of Marking



- ① Rated voltage & Nominal Capacitance
- ② Polarity (negative)
- ③ Trade Mark
- ④ Symbol of Capacitance Tolerance (M)
- ⑤ Max Operating Temp.

5. MULTIPLIER FOR RIPPLE CURRENT

①. Frequency Coefficient

| Freq.(Hz) | 60 (50) | 120 | 300 | 1K | 10K |
|------------|---------|------|------|------|------|
| 0.1-47 | 0.75 | 1.00 | 1.35 | 1.55 | 2.00 |
| 68-680 | 0.80 | 1.00 | 1.25 | 1.34 | 1.50 |
| 1000-22000 | 0.85 | 1.00 | 1.10 | 1.13 | 1.15 |

②. Temperature Coefficient

| Ambient Temperature(°C) | 40 | 60 | 70 | 85 | 105 |
|-------------------------|------|------|------|------|------|
| Coefficient | 2.40 | 2.10 | 1.78 | 1.65 | 1.00 |

6. Characteristics

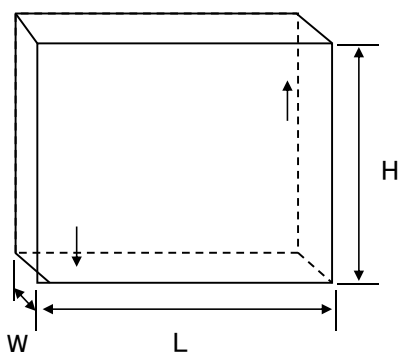
| No. | Item | Performance | Test Method | | | | | | | | |
|---------------|--------------------------------------|----------------------------------------------------------------------------------------------------------------------------------------------------------------------------------------------------------------------------|----------------------------------------------------------------------------------------------------------|----------------------------------------------------------------------------------------------------------------------------------------------------------------------------------------------------|---------------|---------------|---------------|---|--|---|--|
| 1 | Leakage Current | $I = 11.0 \mu A$ ($I=0.01CV$) I = Max Leakage Current C =Ctatic Capacitor: V =Rated Voltage | Protection Resistor : $1000 \pm 10 \Omega$ Applied Volt : Rated Voltage Mesasuring time : 2minutes | | | | | | | | |
| 2 | Static Capacitance | $17.6 \sim 26.4 \mu F$ | Measured Frequency : $120Hz \pm 20\%$ Measured Voltage $\leq 0.5V_{rms}, 1.5 \sim 2.0VDC$ | | | | | | | | |
| 3 | Dissipation Factor ($\tan \delta$) | 0.12 and Under | Same as condition of Capacitors | | | | | | | | |
| 4 | High Temp. Load Charac-teristics | Leakage Current | \leq the value specified in Table 1 | Test Temp. : $105 \pm 2^\circ C$ Applied voltage: Rated voltage Test Time :2,000 hours $+72, -0$ hours | | | | | | | |
| | | Cap. Change | $\leq \pm 20\%$ of initial value | | | | | | | | |
| | | Dissipation Factor | $\leq 200\%$ of value specified in Table | | | | | | | | |
| | | Appearance | No remarkable abnormality | | | | | | | | |
| 5 | High Temp. no load Charac-teristics | Leakage Current | \leq the value specified in Table 1 | Test Temp. : $105 \pm 2^\circ C$ No voltage applied Test Time :1000 hours $+24, -0$ hurs | | | | | | | |
| | | Cap. Change | $\leq \pm 20\%$ of initial value | | | | | | | | |
| | | Dissipation Factor | $\leq 200\%$ of value specified in Table | | | | | | | | |
| | | Appearance | No remarkable abnormality | | | | | | | | |
| 6 | Terminal Strength | Tensile Strength | 45N {4.5kg} | Keeping time Tensile $1 \sim 5$ sec Bending 30 ± 5 sec | | | | | | | |
| | | Bending Strength | 25N {2.5kg} | | | | | | | | |
| | | | | | | | | | | | |
| 7 | Impedance Ratio | <table border="1"> <thead> <tr> <th>W V</th> <th></th> </tr> </thead> <tbody> <tr> <td>Z-25°C/Z+20°C</td> <td>50</td> </tr> <tr> <td>Z-40°C/Z+20°C</td> <td>2</td> </tr> <tr> <td></td> <td>3</td> </tr> </tbody> </table> | W V | | Z-25°C/Z+20°C | 50 | Z-40°C/Z+20°C | 2 | | 3 | |
| W V | | | | | | | | | | | |
| Z-25°C/Z+20°C | 50 | | | | | | | | | | |
| Z-40°C/Z+20°C | 2 | | | | | | | | | | |
| | 3 | | | | | | | | | | |
| 8 | Temperature Charac -teristics | Stage | Item | Performance | Stage | Test Temp(°C) | | | | | |
| | | 2,3 | Impedance Ratio | less than the value mentioned in 5-7, | 1 | 20 ± 2 | | | | | |
| | | 5 | Cap. Change | $\leq \pm 25\%$ against value in stage 4 | 2 | -25 ± 3 ; | | | | | |
| | | | | | 3 | -25 ± 3 ; | | | | | |
| | | | | | 4 | 20 ± 2 | | | | | |
| | | | | | 5 | 105 ± 2 | | | | | |
| | | After the capacitor is held at tempereture of each stage and reaches temperature stability, measure performance. | 6 | 20 ± 2 | | | | | | | |
| 9 | Surge Voltage | Item | Perforemance | Test Temp. $15 \sim 35^\circ C$ Test volt. Surge Volt.Specified in 2 Voltage apply. 1,000times of chage for 30 ± 5 sec, under frequency of 6 ± 0.5 sec, and discharge for 5min30sec. | | | | | | | |
| | | Leakage Current | \leq the initial specified value | | | | | | | | |
| | | Cap. Change | $\leq \pm 15\%$ against value before test | | | | | | | | |
| | | Dissipation Factor | \leq the initial specified value | | | | | | | | |
| | | Appearance | No remakable abnormality | | | | | | | | |

6-2. Characteristics

| No. | Item | Performance | Test Method | | | | | | | | |
|--------------------|---------------------------------------|----------------------------------------------------------------------------------------------------------------------------------------------------------------------------------------------------------------------------------------------------------------------------------------------------------------------------------------------------------------------------------|---------------------------------------------------------------------------------------------------------------------------------------------------------------------------------------|---------------------------|-------------|-------------------------------------|--------------------|------------------------------|------------|---------------------------|----------------------------------------------------------------------------------------------------------------------------------------------|
| 10 | Vibration Resistance | <table border="1"> <tr> <td>Capacitance</td> <td>Stability required</td> </tr> <tr> <td>Cap. Change</td> <td>≤±5% of the initial specified value</td> </tr> <tr> <td>Appearance</td> <td>No remarkable abnormality</td> </tr> </table> <p>Frequency : 10~55Hz/1min. Width of vibration, 1.5mm Direction and duration X, Y and Z directions, each for 2 hours (Total 9 hours)</p> | Capacitance | Stability required | Cap. Change | ≤±5% of the initial specified value | Appearance | No remarkable abnormality | | | |
| Capacitance | Stability required | | | | | | | | | | |
| Cap. Change | ≤±5% of the initial specified value | | | | | | | | | | |
| Appearance | No remarkable abnormality | | | | | | | | | | |
| 11 | Solderability | 3/4 area of surrounding directions of surface should be covered with new solder. | Solder: Sn-Ag, Sn-Cu Type Soldering Temp : 240±5°C Dipping degree : 2~2.5mm Flux : Ethanol solution (JIS K8101) or Isopropylalchol (JIS K8839) solution of Rosin (JIS K5902) | | | | | | | | |
| 12 | Resistance to Soldering | <table border="1"> <tr> <td>Leakage Current</td> <td>≤ Initial specified value</td> </tr> <tr> <td>Cap. Change</td> <td>≤ ±10% of initial value</td> </tr> <tr> <td>Dissipation Factor</td> <td>≤ Initial specified in value</td> </tr> <tr> <td>Appearance</td> <td>No remarkable abnormality</td> </tr> </table> | Leakage Current | ≤ Initial specified value | Cap. Change | ≤ ±10% of initial value | Dissipation Factor | ≤ Initial specified in value | Appearance | No remarkable abnormality | Soldering Temp. 280±5°C Soldering Time . 10±1sec. |
| Leakage Current | ≤ Initial specified value | | | | | | | | | | |
| Cap. Change | ≤ ±10% of initial value | | | | | | | | | | |
| Dissipation Factor | ≤ Initial specified in value | | | | | | | | | | |
| Appearance | No remarkable abnormality | | | | | | | | | | |
| 13 | Resistance to Humidity | <table border="1"> <tr> <td>Leakage Current</td> <td>≤ Initial specified value</td> </tr> <tr> <td>Cap. Change</td> <td>≤ ±15% of initial value</td> </tr> <tr> <td>Dissipation Factor</td> <td>≤ Initial specified value</td> </tr> <tr> <td>Appearance</td> <td>No remarkable abnormality</td> </tr> </table> | Leakage Current | ≤ Initial specified value | Cap. Change | ≤ ±15% of initial value | Dissipation Factor | ≤ Initial specified value | Appearance | No remarkable abnormality | Test Temp. : 40±2°C Humidity 90~95% Test Time : 500 ± 8 hours After the above condition,restored to normal temp, and then measured. |
| Leakage Current | ≤ Initial specified value | | | | | | | | | | |
| Cap. Change | ≤ ±15% of initial value | | | | | | | | | | |
| Dissipation Factor | ≤ Initial specified value | | | | | | | | | | |
| Appearance | No remarkable abnormality | | | | | | | | | | |
| 14 | Perssure valve moment charact-erstics | There must not be thing ignition, scattering the resolution that that case works safely | Dcmethod: impress the reverse voltage and of 1A, I cancel an electric current. | | | | | | | | |

7 Packing method

Packaging shape, size, quantity



| Component size | Quantity per |
|----------------|--------------|
| 5*11 | 40000pcs. |

8 Related Standards JIS C 5141

9 Marking on packing box

- ① Item name
- ② Series name
- ③ Rated Voltage
- ④ Nominal Static Capacitance
- ⑤ Case size
- ⑥ Lot No.
- ⑦ Quantity

10 Soldeing

10-1 Soldering by soldering iron
Temperature of iron top : 270~350°C
Operating time : within 3 sec.

10-2 Flow soldering.
Preheat : PCB surface temperature 120°C±5°C
Solder Temp : 260°C±5°C
Solder Dipping Temp. : 2~4sec.

11 Cleaning of PC board after soldering

Using following solvents is possible but make sure following condition

Solvent

IPA or Alcoholic agent like Pinealpha ST-100S, Cleanthrough 750H, 750L, 710M, 750K, or Technocare FRW-14~17

- ① Cleaning should be made by ultrasonic within 5min, at the temperature less than 60°C.
- ② Control of pollution is necessary (conductivity,pH, specific gravity, water volume)
- ③ Please do not keep near cleaning agent. Please do not store in air-tight container.
Please let it dry by hot air at the temperature less than maximum operating temp.

12 The situation of using

Please do not use a condenser in the next use environment.

- ① One circumference environment(weatherability) condition.
 - (a) Direct water,salt water and environment oil works or become a dew condensation state.
 - (b) Environment full of harmful gas (a hydrogen chloride, sulfurous acid, nitrous acid hydrochloric acid, ammonia).
 - (c) Ozone, infrared rays and the environment where radioactive rays are done collation of
- ② Vibration shock condition is extreme environment more than rule ranges of delivery specifications.

13 A country of origin

A country of origin of an SHC series alminum electrolysis condenser of specifications: China

14 Effective life for storage

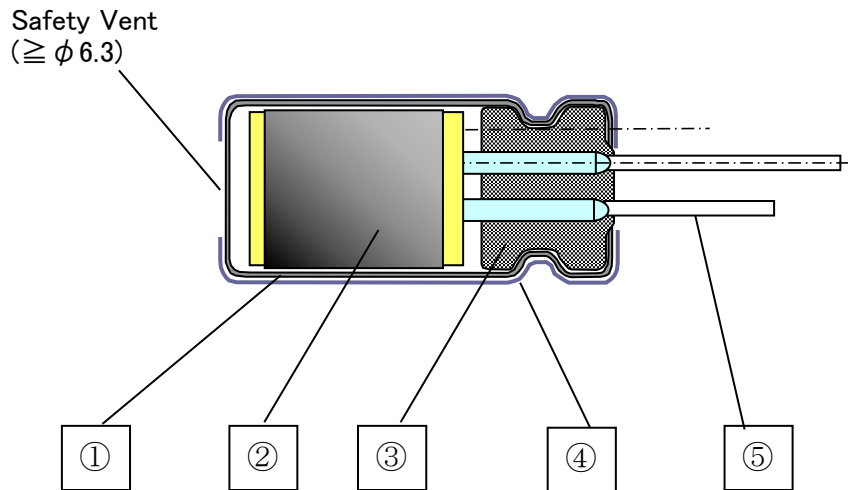
Storage conditions:

- ① Temperature range must be between 5-35°C
- ② Relative humidity must be less than 75%
- ③ Must be stored indoor
- ④ Must be free from water, oil or salt water
- ⑤ Must be free from toxic gasses (hydrogen sulfide, sulfurous acid, chlorine, ammonium, etc.)
- ⑥ Must be free from ozone, ultraviolet rays or any other radiation
- ⑦ Must be kept in capacitor original package

I Storage life is 12 months for capacitor of rated voltage $\leq 160V$

II Storage life is 6 months for capacitor of rated voltage $\geq 200V$

Aluminum Electrolytic Capacitor SHC Series Structure



| No. | Name | Material |
|-----|---------------------|---------------------------|
| ① | Case | Aluminum |
| ② | Element (Electrode) | High Purity Aluminum foil |
| | (Separator) | Manila hemp pulp |
| | (Electrolyte) | --- |
| ③ | Rubber Bung | Synthetic Rubber |
| ④ | Sleeve | PET |
| ⑤ | Lead Wire | Tin plated Steel Wire |

Controls of ozone layer destructive chemical materials

Regulated materials : CFCs, Halon, Carbon Tetrachloride, 1.1.1-Trichloroethane

The products and parts do not include the above materials

The products and parts are not used the above materials on process.

The products and parts are not used PBBOs (Poly Bromo Bi-phenyl Oxides).

All materials are mentioned as existing chemical material in the "Law of examine and control of Production of Chemical Material"

The products are not listed in Appendix 1 of Export Trade Rule and Regulation

A condenser of this series supports RoHS regulation.

KNSCHA[®]

全球 高端 电容器 制造商

东莞市科尼盛电子有限公司

DONGGUAN KNSCHA ELECTRONICS CO., LTD.

出样检验报告表

| | | |
|-------------------------|-----|-----|
| 东莞市科尼盛电子有限公司—品质部 | | |
| 核准 | 复核 | 检验 |
| 徐贵南 | 刘军军 | 吴玉凤 |

| | | | |
|-------|-----------------|-------------------|---------------------|
| 型 号： | KNSCHA SHC | 检验日期： | 2021/4/8 |
| 规 格： | 50 V 22 μ F | 订单号码： | |
| 铝壳尺寸： | Φ 5*11 mm | 温度 TEMP 24.8°C | 湿度 R.H. 44% R.H. |

| | | |
|------------------------|------------------------------|-----------------------------|
| 检 及 查 标 项 准 目 | 外观检查结果： | 合格 |
| | 漏电流(μ A) 2分钟 | 11 μ A |
| | 静电容量(μ F) 120Hz | 17.6 μ F ~ 26.4 μ F |
| | 损失角的正切($\tan\delta$) 120Hz | ≤ 0.12 |

| NO. | 静电容量 | 损失角的正切 | 漏电流 | 备注 |
|-----|-----------------------------|-------------|------------|----|
| | 17.6 μ F ~ 26.4 μ F | ≤ 0.12 | 11 μ A | |
| 1 | 21.3 | 0.062 | 2.1 | |
| 2 | 21.2 | 0.062 | 2.6 | |
| 3 | 21.4 | 0.065 | 2.4 | |
| 4 | 21.6 | 0.066 | 2.1 | |
| 5 | 22.1 | 0.064 | 1.9 | |
| 6 | 22.3 | 0.065 | 1.8 | |
| 7 | 22.5 | 0.063 | 2.3 | |
| 8 | 21.9 | 0.066 | 2.7 | |
| 9 | 20.7 | 0.065 | 1.6 | |
| 10 | 21.6 | 0.062 | 1.7 | |

| | |
|---------------------------|--------------------------------------------------------------------|
| 备注 | 判定： 合格 |
| 参照ANSI/ASQC Z1.4第II制定抽样标准 | |
| 测试仪器: | 101LCR 容量测试仪 |
| | 1062LCZ 阻抗测试仪 |
| | CLC-202A 漏电测试仪 |

X-ON Electronics

Largest Supplier of Electrical and Electronic Components

Click to view similar products for [Aluminium Electrolytic Capacitors - Radial Leaded](#) category:

Click to view products by [KNSCHA](#) manufacturer:

Other Similar products are found below :

[LXY50VB4.7M-5X11](#) [RFO-100V471MJ7P#](#) [ECE-A1EGE220](#) [B41041A2687M8](#) [B41041A7226M8](#) [B41044A7157M6](#)
[EKXG201EC3101ML20S](#) [EKZM160ETD471MHB5D](#) [NCD681K10KVY5PF](#) [NEV1000M25EF-BULK](#) [NEV100M35DC](#) [NEV100M63DE](#)
[NEV220M25DD-BULK](#) [NEV.33M100AA](#) [NEV4700M50HB](#) [NEV.47M100AA](#) [NEVH1.0M250AB](#) [NEVH3.3M250BB](#) [NEVH3.3M450CC](#)
[KM4700/16](#) [KME50VB100M-8X11.5](#) [SG220M1CSA-0407](#) [ES5107M016AE1DA](#) [ESMG160ETD102MJ16S](#) [ESX472M16B](#) [227RZS050M](#)
[476CKH100MSA](#) [477RZS050M](#) [UVX1V101KPA1FA](#) [UVX1V222MHA1CA](#) [KME25VB100M-6.3X11](#) [VTL100S10](#) [VTL470S10](#)
[VTL470S16A](#) [511D336M250EK5D](#) [052687X](#) [ECE-A1CF471](#) [EKMA500ELL4R7ME07D](#) [NRE-S560M16V6.3X7TBSTF](#) [RGA221M1CTA-](#)
[0611G](#) [ERZA630VHN182UP54N](#) [UPL1A331MPH](#) [SK035M0100AZS-0611](#) [MAL214658821E3](#) [NEV1000M6.3DE](#) [NEV100M16CB](#)
[NEV100M50DD-BULK](#) [NEV2200M16FF](#) [NEV220M50EE](#) [NEV2.2M50AA](#)