

KNSCHA Snap-in Type Aluminum Electrolytic Capacitors

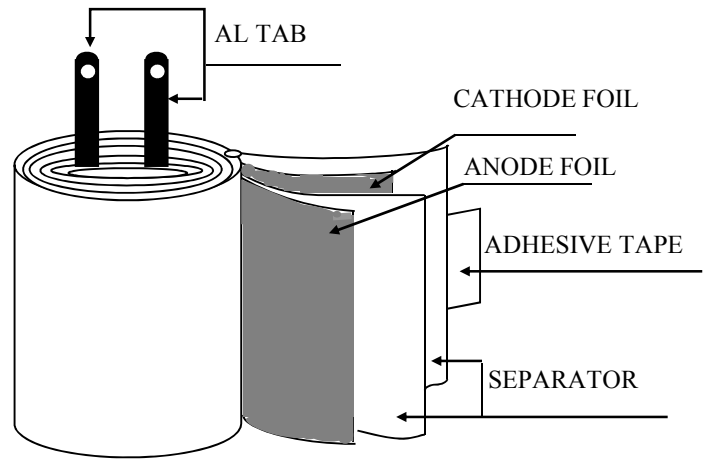
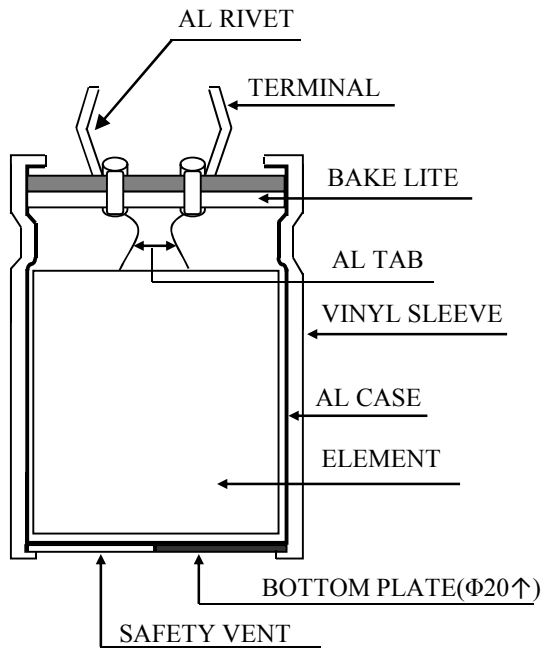
| | |
|-------------------|--|
| Customer : | ◆KNSCHA SMZ Series Snap-in Terminal Type Aluminum Electrolytic Capacitors,105°C Long Life |
|-------------------|--|

PRODUCT CHARACTERISTICS

| KNSCHA P/N | Cap. (120Hz) | Cap. Tol. | Rate Volt. | Surge Volt. | Oper. Temp. | Nominal Case Size | Leakage Current | D.F. Max | RC 120HZ | ESR 100KHZ | Normal service life |
|------------|-----------------|--------------|---------------|----------------|----------------|----------------------|--------------------|-------------|-------------|---------------|------------------------|
| | (uF) | (%) | (V-DC) | (V-DC) | (°C) | D*L(mm) | Max(uA) | () | (Arms) | (Ω) | (Hours) |
| 152EC0325 | 470 | ±20 | 450 | 500 | -25~105°C | 30*45 | 1379 | 0.20 | 1.73 | / | 5000 |
| 152EC0326 | 470 | ±20 | 450 | 500 | -25~105°C | 35*40 | 1379 | 0.20 | 1.80 | / | 5000 |
| 152EC0334 | 270 | ±20 | 450 | 500 | -25~105°C | 30*30 | 1046 | 0.20 | 1.18 | / | 5000 |
| 152EC0340 | 680 | ±20 | 200 | 250 | -25~105°C | 25*35 | 1106 | 0.15 | 1.86 | / | 5000 |
| | | | | | | | | | | | |
| | | | | | | | | | | | |
| | | | | | | | | | | | |
| | | | | | | | | | | | |
| | | | | | | | | | | | |
| | | | | | | | | | | | |
| | | | | | | | | | | | |
| | | | | | | | | | | | |
| | | | | | | | | | | | |
| | | | | | | | | | | | |
| | | | | | | | | | | | |
| | | | | | | | | | | | |
| | | | | | | | | | | | |
| | | | | | | | | | | | |
| | | | | | | | | | | | |
| | | | | | | | | | | | |

KNSCHA Snap-in Type Aluminum Electrolytic Capacitors

STRUCTURE and MATERIALS



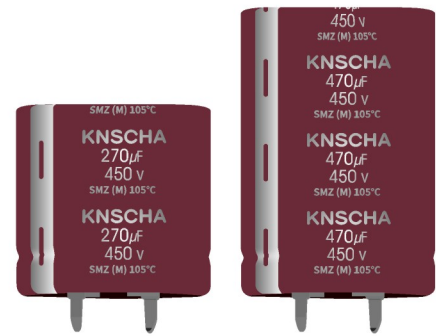
LARGE SIZED TYPE CAPACITORS COMPONENT

| PART NAME | MATERIALS |
|---------------|--|
| AL RIVET | ALUMINUM 99.9% |
| TERMINAL | SPCC |
| BAKE LITE | RUBBER+PAPER LAMINATE |
| AL TAB | ALUMINUM 99.9% OVER |
| SLEEVE | INK |
| | P.E.T (Polyethylene Terephthalate Resin) |
| AL CASE | ALUMINUM 99.5% |
| ANODE FOIL | FORMED ALUMINUM 99.9% OVER |
| CATHODE FOIL | FORMED ALUMINUM 98.4% OVER |
| SEPARATOR | INSULATION PAPER |
| ADHESIVE TAPE | POLY PROPYLENE FILM |

SMZ Series

特征/FEATURES

- Withstanding 5000 hours application of rated ripple current at 105°C
- High ripple current, Long life and High reliability
- Compliant to the RoHS directive
- 105°C印加纹波电流寿命保证5000小时
- 高纹波、长寿命，适合大功率电源、路灯照明、驱动器、变频器
- RoHs指令对策品

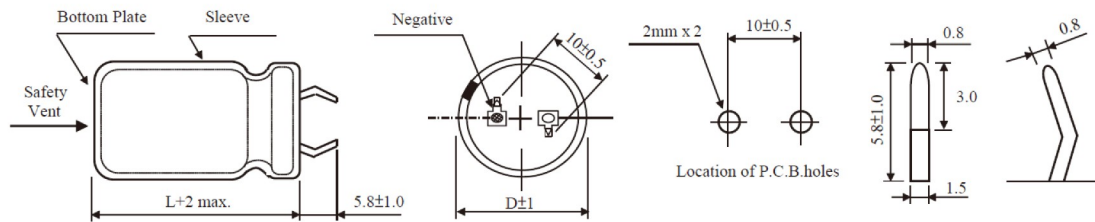


规格表/SPECIFICATIONS

| 项目 Items | 特征 Characteristics | | | | | | | | |
|--|--|---|-------------------|----------------|--|------|----------------|------|---------------|
| 温度范围 Category Temperat Range | -40°C ~ +105°C | | | -40°C ~ +105°C | | | -25°C ~ +105°C | | |
| 规格电压范围 Rated voltage range | 6.3-100V.DC | | | 160-250V.DC | | | 400-450V.DC | | |
| 静电容量允许容差 Capacitance Tolerance | ± 20% (20°C, 120Hz) | | | | | | | | |
| 漏电流 Leakage Current(MAX) | 10-100V.DC | | | | 160-450V.DC | | | | |
| | I=0.01CV或者3 (µ A) 值以下 定格电压印加2分钟后 I=0.01CVor3 (µ A) whichever is greater after 2 minutes application of rated voltage | | | | I=0.02CV值以下 定格电压印加3分钟后 I=0.02CVwhichever is greater after 3 minutes application of rated voltage | | | | |
| | I=漏电流 (µ A) | | C=定格静电容量 (µ F) | | V=定格电压 (V) | | | | |
| | Leakage Current | | Rated Capacitance | | Rated Voltage | | | | |
| 损失角正接 (tan δ) Dissipation Factor(MAX) | 定格电压 (V) | 6.3 | 10 | 16 | 25 | 35 | 50 | 63 | 20°C 120Hz |
| | Rated Voltage | - | 0.2 | 0.16 | 0.14 | 0.12 | 0.1 | 0.09 | |
| | 定格电压 (V) | 80 | 100 | 160 | 200 | 250 | 400 | 450 | |
| | Rated Voltage | 0.09 | 0.08 | 0.15 | 0.15 | 0.15 | 0.15 | 0.15 | |
| 容量超过1000 µ F; 每超过1000 µ F, 损失角增加0.02 Add 0.02 per 1,000 µ F for more than 1,000 µ F items. | | | | | | | | | |
| 高温负荷特性 High Temp Load Test | 105°C, 在规定的时间内, 印加定格电压与纹波电流后, 满足下列条件 After life test with ripple current at conditions stated in the table below, the capacitors shall meet the following requirements. 105°C施加额定电压5000小时后满足下列条件 After 5000 hours, application of DC rated working voltage at + 105°C, capacitor shall meet the following limits. | | | | | | | | |
| | 静电容量变化率 Capacitance Change | 初期值的 ± 25% Within ± 25% | | | | | | | |
| | 损失角正接 (tan δ) Dissipation Factor | 规格值的200%以内 Not more than the specified value | | | | | | | |
| | 漏电流 Leakage Current(MAX) | 规格值以下 Not more than the specified value | | | | | | | |
| 低温特性 (抵抗比) Low Temperature Stability impedance Ratio MAX | 规格电压 (V) Rated Voltage | 6.3-16V | 25-50V | 63-100V | 160-250V | 400V | 450V | | |
| | Z(-25°C)/Z(20°C) | 4 | 5 | 6 | 5 | 6 | 8 | | |
| | Z(-40°C)/Z(20°C) | 8 | 9 | 10 | 9 | 10 | 12 | | |
| 高温无负荷特性 High Temp Non- Load Test | After storage for 1000 hours at 105°C with no voltage applied, voltage treatment of JIS-C-5102 article 4-4 is to be given and then measurement shall be made, at which time requirements specified in the table "High Temperature Loading" can be met. 在105°C的条件下不加电压放置1000个小时, 按照JIS-C-5102中4-4的标准进行处理, 特性满足高温负荷特性 | | | | | | | | |

SMZ Series

寸法图DIMENSIONS



★ $\Phi 35\text{mm}$: $3.5 \pm 0.5\text{mm}$ The standard design has no plastic disc 标准的作业没有底座

▼ MULTIPLIER FOR RIPPLE CURRENT 纹波电流修正系数

(1) Frequency coefficient 频率系数

| Freq.(Hz) Cap(μF) | 120 | 1K | 10K | 100K | (2) Temperature coefficient | | | |
|-----------------------------------|------|------|------|------|--|------|------|------|
| | | | | | Ambient Temperature($^{\circ}\text{C}$) Coefficient | | | |
| 330 ~ 680 | 1.00 | 1.05 | 1.10 | 1.20 | 65 | 75 | 85 | 105 |
| 820 ~ 82000 | 1.00 | 1.10 | 1.15 | 1.18 | 1.10 | 1.15 | 1.20 | 1.00 |

标准品一览表/STANDARD SIZE

| 定格电压 Rated voltage 10V(1A) | | | | | |
|---|--|--|------------------------------------|------------------------|--|
| 定格静容量(μF) Rated Capacitance | 外形尺寸 Size $\Phi\text{D} \times \text{L}$ (mm) | 定格电流 Rated ripple current m A r.m.s./105 $^{\circ}\text{C}$,120KHz | 阻抗值 Impedance /100KHz/(Ω) | | |
| | | | 20 $^{\circ}\text{C}$ | -10 $^{\circ}\text{C}$ | |
| 12000 | 22*25 | 2200 | 1.000 | 4.300 | |
| 15000 | 22*30 | 2300 | 0.980 | 4.300 | |
| 18000 | 22*30 | 2400 | 0.950 | 4.300 | |
| 18000 | 25*25 | 2400 | 0.900 | 4.300 | |
| 22000 | 22*35 | 2600 | 0.800 | 4.300 | |
| 22000 | 25*30 | 2600 | 0.700 | 4.300 | |
| 27000 | 22*40 | 3100 | 0.600 | 4.300 | |
| 27000 | 25*35 | 3100 | 0.550 | 4.100 | |
| 27000 | 30*25 | 3100 | 0.450 | 3.900 | |
| 33000 | 22*45 | 3400 | 0.430 | 3.700 | |
| 33000 | 25*40 | 3400 | 0.410 | 3.300 | |
| 39000 | 25*45 | 3700 | 0.400 | 3.200 | |
| 39000 | 30*30 | 3700 | 0.380 | 3.100 | |
| 39000 | 35*25 | 3700 | 0.330 | 3.900 | |
| 47000 | 25*50 | 3950 | 0.290 | 3.300 | |
| 47000 | 30*45 | 4100 | 0.260 | 3.100 | |
| 47000 | 35*30 | 4200 | 0.250 | 2.900 | |
| 56000 | 30*40 | 4800 | 0.230 | 2.700 | |
| 56000 | 35*35 | 4950 | 0.220 | 2.500 | |
| 68000 | 30*45 | 5100 | 0.200 | 2.300 | |
| 68000 | 35*40 | 5100 | 0.180 | 2.100 | |
| 82000 | 35*45 | 5300 | 0.160 | 2.000 | |

SMZ Series

标准品一览表/STANDARD SIZE

| 定格电压 Rated voltage 16V(1C) | | | | |
|---------------------------------|------------------------|---|---------------------------|-------|
| 定格静容量(μ F) Rated Capacitance | 外形尺寸 Size ΦDxL (mm) | 定格电流 Rated ripple current m A r.m.s./105℃,120KHz | 阻抗值 Impedance /100KHz/(Ω) | |
| | | | 20℃ | -10℃ |
| 10000 | 22*50 | 2200 | 0.980 | 4.300 |
| 12000 | 22*30 | 2300 | 0.950 | 4.300 |
| 12000 | 25*35 | 2400 | 0.900 | 4.300 |
| 15000 | 22*35 | 2400 | 0.800 | 4.300 |
| 18000 | 22*40 | 2600 | 0.700 | 4.300 |
| 18000 | 25*30 | 2600 | 0.600 | 4.300 |
| 22000 | 22*45 | 3100 | 0.550 | 4.100 |
| 22000 | 25*35 | 3100 | 0.450 | 3.900 |
| 22000 | 30*25 | 3100 | 0.430 | 3.700 |
| 27000 | 22*50 | 3400 | 0.410 | 3.300 |
| 27000 | 25*40 | 3400 | 0.400 | 3.200 |
| 27000 | 30*30 | 3700 | 0.380 | 3.100 |
| 27000 | 35*25 | 3700 | 0.330 | 3.900 |
| 33000 | 25*45 | 3700 | 0.290 | 3.300 |
| 33000 | 30*35 | 4200 | 0.260 | 3.100 |
| 39000 | 30*40 | 4200 | 0.250 | 2.900 |
| 39000 | 35*30 | 4350 | 0.230 | 2.700 |
| 47000 | 30*45 | 4500 | 0.220 | 2.500 |
| 47000 | 35*35 | 4650 | 0.200 | 2.300 |
| 56000 | 30*50 | 4780 | 0.180 | 2.100 |
| 56000 | 35*40 | 4820 | 0.160 | 2.000 |
| 68000 | 35*45 | 4900 | 0.140 | 1.800 |
| 定格电压 Rated voltage 25V(1E) | | | | |
| 定格静容量(μ F) Rated Capacitance | 外形尺寸 Size ΦDxL (mm) | 定格电流 Rated ripple current m A r.m.s./105℃,120KHz | 阻抗值 Impedance /100KHz/(Ω) | |
| | | | 20℃ | -10℃ |
| 6800 | 22*25 | 2300 | 0.950 | 4.300 |
| 8200 | 22*30 | 2400 | 0.900 | 4.300 |
| 8200 | 25*25 | 2400 | 0.800 | 4.300 |
| 10000 | 22*35 | 2600 | 0.700 | 4.300 |
| 12000 | 22*40 | 2600 | 0.600 | 4.300 |
| 12000 | 25*30 | 3100 | 0.550 | 4.100 |
| 15000 | 22*45 | 3100 | 0.450 | 3.900 |
| 15000 | 25*35 | 3100 | 0.430 | 3.700 |
| 15000 | 30*25 | 3400 | 0.410 | 3.300 |
| 18000 | 22*50 | 3400 | 0.400 | 3.200 |
| 18000 | 25*40 | 3700 | 0.380 | 3.100 |
| 18000 | 30*30 | 3700 | 0.330 | 3.900 |
| 18000 | 35*25 | 3700 | 0.290 | 3.300 |
| 22000 | 25*45 | 4200 | 0.260 | 3.100 |
| 22000 | 30*35 | 4200 | 0.250 | 2.900 |
| 22000 | 35*30 | 4350 | 0.230 | 2.700 |
| 27000 | 30*40 | 4500 | 0.220 | 2.500 |
| 27000 | 35*35 | 4650 | 0.200 | 2.300 |
| 33000 | 30*45 | 4780 | 0.180 | 2.100 |
| 33000 | 35*40 | 4820 | 0.160 | 2.000 |
| 39000 | 30*50 | 4900 | 0.140 | 1.800 |
| 39000 | 35*45 | 5100 | 0.140 | 1.800 |
| 47000 | 35*50 | 5200 | 0.130 | 1.600 |

SMZ Series

标准品一览表/STANDARD SIZE

| 定格电压 Rated voltage 35V(IV) | | | | |
|---------------------------------|------------------------|---|---------------------------|-------|
| 定格静容量(μ F) Rated Capacitance | 外形尺寸 Size ΦDxL (mm) | 定格电流 Rated ripple current m A r.m.s./105℃,120KHz | 阻抗值 Impedance /100Khz/(Ω) | |
| | | | 20℃ | -10℃ |
| 4700 | 22*25 | 2400 | 0.950 | 4.300 |
| 5600 | 22*25 | 2400 | 0.900 | 4.300 |
| 5600 | 22*30 | 2600 | 0.800 | 4.300 |
| 6800 | 25*25 | 2600 | 0.700 | 4.300 |
| 8200 | 22*35 | 3100 | 0.600 | 4.300 |
| 8200 | 25*30 | 3100 | 0.550 | 4.100 |
| 10000 | 30*25 | 3100 | 0.450 | 3.900 |
| 10000 | 22*40 | 3400 | 0.430 | 3.700 |
| 10000 | 25*35 | 3400 | 0.410 | 3.300 |
| 12000 | 30*25 | 3700 | 0.400 | 3.200 |
| 12000 | 22*45 | 3700 | 0.380 | 3.100 |
| 12000 | 25*40 | 3700 | 0.330 | 3.900 |
| 12000 | 30*30 | 4200 | 0.290 | 3.300 |
| 15000 | 35*25 | 4200 | 0.260 | 3.100 |
| 15000 | 25*45 | 4350 | 0.250 | 2.900 |
| 15000 | 30*35 | 4500 | 0.230 | 2.700 |
| 18000 | 35*30 | 4650 | 0.220 | 2.500 |
| 18000 | 25*50 | 4780 | 0.200 | 2.300 |
| 22000 | 30*40 | 4820 | 0.180 | 2.100 |
| 22000 | 35*30 | 4900 | 0.160 | 2.000 |
| 27000 | 30*45 | 5100 | 0.140 | 1.800 |
| 27000 | 35*35 | 5200 | 0.140 | 1.800 |
| 33000 | 35*45 | 5300 | 0.130 | 1.600 |
| 定格电压 Rated voltage 50V(IH) | | | | |
| 定格静容量(μ F) Rated Capacitance | 外形尺寸 Size ΦDxL (mm) | 定格电流 Rated ripple current m A r.m.s./105℃,120KHz | 阻抗值 Impedance /100Khz/(Ω) | |
| | | | 20℃ | -10℃ |
| 2700 | 22*25 | 2400 | 0.950 | 4.300 |
| 3300 | 22*30 | 2550 | 0.900 | 4.300 |
| 3900 | 22*30 | 2650 | 0.800 | 4.300 |
| 3900 | 25*25 | 2900 | 0.700 | 4.300 |
| 4700 | 22*35 | 3000 | 0.600 | 4.300 |
| 4700 | 25*30 | 3200 | 0.550 | 4.100 |
| 5600 | 30*25 | 3500 | 0.450 | 3.900 |
| 5600 | 22*40 | 3500 | 0.430 | 3.700 |
| 5600 | 25*35 | 3800 | 0.410 | 3.300 |
| 6800 | 30*25 | 3800 | 0.400 | 3.200 |
| 6800 | 22*50 | 3800 | 0.380 | 3.100 |
| 6800 | 25*40 | 4200 | 0.330 | 3.900 |
| 6800 | 30*30 | 4200 | 0.290 | 3.300 |
| 8200 | 35*25 | 4200 | 0.260 | 3.100 |
| 8200 | 25*45 | 4200 | 0.250 | 2.900 |
| 10000 | 30*35 | 4700 | 0.230 | 2.700 |
| 10000 | 35*30 | 4700 | 0.220 | 2.500 |
| 10000 | 25*50 | 4800 | 0.200 | 2.300 |
| 12000 | 30*40 | 4800 | 0.180 | 2.100 |
| 12000 | 35*30 | 4900 | 0.160 | 2.000 |
| 15000 | 30*45 | 4900 | 0.140 | 1.800 |
| 15000 | 35*35 | 5150 | 0.140 | 1.800 |
| 18000 | 35*40 | 5250 | 0.130 | 1.600 |

SMZ Series

标准品一览表/STANDARD SIZE

| 定格电压 Rated voltage 65V(1J) | | | | |
|---------------------------------|------------------------|---|---------------------------|-------|
| 定格静容量(μ F) Rated Capacitance | 外形尺寸 Size ΦDxL (mm) | 定格电流 Rated ripple current m A r.m.s./105℃,120KHz | 阻抗值 Impedance /100KHz/(Ω) | |
| | | | 20℃ | -10℃ |
| 2200 | 22*25 | 2400 | 0.980 | 4.300 |
| 2700 | 22*30 | 2550 | 0.950 | 4.300 |
| 2700 | 25*25 | 2650 | 0.900 | 4.300 |
| 3300 | 22*35 | 2900 | 0.800 | 4.300 |
| 3900 | 25*30 | 3000 | 0.700 | 4.300 |
| 3900 | 22*40 | 3200 | 0.600 | 4.300 |
| 3900 | 25*35 | 3500 | 0.550 | 4.100 |
| 4700 | 30*25 | 3500 | 0.450 | 3.900 |
| 4700 | 22*45 | 3800 | 0.430 | 3.700 |
| 5600 | 25*35 | 3800 | 0.410 | 3.300 |
| 5600 | 30*30 | 3800 | 0.400 | 3.200 |
| 5600 | 35*25 | 4200 | 0.380 | 3.100 |
| 5600 | 22*50 | 4200 | 0.330 | 3.900 |
| 6800 | 25*40 | 4200 | 0.290 | 3.300 |
| 6800 | 30*25 | 4200 | 0.260 | 3.100 |
| 6800 | 35*25 | 4700 | 0.250 | 2.900 |
| 8200 | 25*50 | 4700 | 0.230 | 2.700 |
| 8200 | 30*40 | 4800 | 0.220 | 2.500 |
| 10000 | 35*30 | 4800 | 0.200 | 2.300 |
| 10000 | 30*45 | 4900 | 0.180 | 2.100 |
| 12000 | 35*35 | 4900 | 0.160 | 2.000 |
| 12000 | 30*50 | 5150 | 0.140 | 1.800 |
| 15000 | 35*40 | 5250 | 0.120 | 1.400 |
| 定格电压 Rated voltage 80V(1K) | | | | |
| 定格静容量(μ F) Rated Capacitance | 外形尺寸 Size ΦDxL (mm) | 定格电流 Rated ripple current m A r.m.s./105℃,120KHz | 阻抗值 Impedance /100KHz/(Ω) | |
| | | | 20℃ | -10℃ |
| 1200 | 22*25 | 1800 | 0.980 | 4.300 |
| 1500 | 22*25 | 1950 | 0.950 | 4.300 |
| 1500 | 22*30 | 1950 | 0.900 | 4.300 |
| 1800 | 25*25 | 2100 | 0.800 | 4.300 |
| 2200 | 22*35 | 2250 | 0.700 | 4.300 |
| 2200 | 25*30 | 2350 | 0.600 | 4.300 |
| 2700 | 22*40 | 2450 | 0.550 | 4.100 |
| 2700 | 25*35 | 2550 | 0.450 | 3.900 |
| 2700 | 30*25 | 2550 | 0.430 | 3.700 |
| 3300 | 22*50 | 2700 | 0.410 | 3.300 |
| 3300 | 25*40 | 2750 | 0.400 | 3.200 |
| 3300 | 30*30 | 2750 | 0.380 | 3.100 |
| 3300 | 35*25 | 2800 | 0.330 | 3.900 |
| 3900 | 25*45 | 2900 | 0.290 | 3.300 |
| 3900 | 30*35 | 3000 | 0.260 | 3.100 |
| 4700 | 35*25 | 3150 | 0.250 | 2.900 |
| 4700 | 25*50 | 3200 | 0.230 | 2.700 |
| 4700 | 30*40 | 3200 | 0.220 | 2.500 |
| 5600 | 35*30 | 3500 | 0.200 | 2.300 |
| 5600 | 30*45 | 3650 | 0.180 | 2.100 |
| 6800 | 35*35 | 3800 | 0.160 | 2.000 |
| 6800 | 30*35 | 3950 | 0.140 | 1.800 |
| 8200 | 30*50 | 4100 | 0.130 | 1.700 |

SMZ Series

标准品一览表/STANDARD SIZE

| 定格电压 Rated voltage 100V(2A) | | | | |
|---------------------------------|-------------------------|---|---------------------------|-------|
| 定格静容量(μ F) Rated Capacitance | 外形尺寸 Size Φ D×L (mm) | 定格电流 Rated ripple current m A r.m.s./105℃,120KHz | 阻抗值 Impedance /100KHz/(Ω) | |
| | | | 20℃ | -10℃ |
| 820 | 22*25 | 1400 | 0.600 | 4.300 |
| 1000 | 22*30 | 1550 | 0.550 | 4.100 |
| 1200 | 22*30 | 1650 | 0.450 | 3.900 |
| 1200 | 25*25 | 1800 | 0.430 | 3.700 |
| 1500 | 22*35 | 2100 | 0.410 | 3.300 |
| 1500 | 25*30 | 2250 | 0.400 | 3.200 |
| 1800 | 22*40 | 2350 | 0.380 | 3.100 |
| 1800 | 25*35 | 2450 | 0.330 | 3.900 |
| 1800 | 30*25 | 2550 | 0.290 | 3.300 |
| 2200 | 22*45 | 2550 | 0.260 | 3.100 |
| 2200 | 25*40 | 2700 | 0.250 | 2.900 |
| 2200 | 30*30 | 2750 | 0.230 | 2.700 |
| 2200 | 30*40 | 2750 | 0.230 | 2.700 |
| 2200 | 35*25 | 2750 | 0.220 | 2.500 |
| 2700 | 25*45 | 2800 | 0.200 | 2.300 |
| 2700 | 30*35 | 2900 | 0.180 | 2.100 |
| 3300 | 25*50 | 3000 | 0.160 | 2.000 |
| 3300 | 30*40 | 3150 | 0.140 | 1.800 |
| 3300 | 35*30 | 3200 | 0.200 | 2.300 |
| 3900 | 30*45 | 3500 | 0.180 | 2.100 |
| 3900 | 35*35 | 3650 | 0.160 | 2.000 |
| 4700 | 30*50 | 3800 | 0.140 | 1.800 |
| 4700 | 35*40 | 3950 | 0.100 | 1.500 |
| 5600 | 35*45 | 4100 | 0.140 | 1.800 |
| 6800 | 35*50 | 4300 | 0.100 | 1.500 |
| 定格电压 Rated voltage 160V(2C) | | | | |
| 定格静容量(μ F) Rated Capacitance | 外形尺寸 Size Φ D×L (mm) | 定格电流 Rated ripple current m A r.m.s./105℃,120KHz | 阻抗值 Impedance /100KHz/(Ω) | |
| | | | 20℃ | -10℃ |
| 470 | 22*30 | 1500 | 0.800 | 4.300 |
| 560 | 22*35 | 1600 | 0.700 | 4.300 |
| 680 | 22*40 | 1800 | 0.600 | 4.300 |
| 680 | 25*30 | 1800 | 0.550 | 4.100 |
| 820 | 22*45 | 1900 | 0.450 | 3.900 |
| 820 | 25*35 | 1900 | 0.430 | 3.700 |
| 1000 | 22*50 | 2100 | 0.410 | 3.300 |
| 1000 | 25*40 | 2100 | 0.400 | 3.200 |
| 1000 | 30*30 | 2200 | 0.380 | 3.100 |
| 1000 | 35*25 | 2200 | 0.330 | 3.900 |
| 1200 | 25*45 | 2300 | 0.290 | 3.300 |
| 1200 | 30*35 | 2300 | 0.260 | 3.100 |
| 1200 | 35*30 | 2400 | 0.250 | 2.900 |
| 1500 | 30*40 | 2500 | 0.230 | 2.700 |
| 1500 | 35*30 | 2550 | 0.220 | 2.500 |
| 1800 | 30*45 | 2800 | 0.200 | 2.300 |
| 1800 | 35*35 | 2800 | 0.180 | 2.100 |
| 2200 | 35*45 | 2950 | 0.160 | 2.000 |
| 3300 | 35*60 | 3050 | 0.140 | 1.800 |

SMZ Series

标准品一览表/STANDARD SIZE

| 定格电压 Rated voltage 200V(2D) | | | | |
|---------------------------------|-------------------------|---|---------------------------|-------|
| 定格静容量(μ F) Rated Capacitance | 外形尺寸 Size Φ D×L (mm) | 定格电流 Rated ripple current m A r.m.s./105℃,120KHz | 阻抗值 Impedance /100KHz/(Ω) | |
| | | | 20℃ | -10℃ |
| 270 | 22*25 | 1350 | 1.000 | 4.300 |
| 330 | 22*30 | 1480 | 0.980 | 4.300 |
| 390 | 22*30 | 1550 | 0.950 | 4.300 |
| 390 | 25*25 | 1600 | 0.900 | 4.300 |
| 470 | 22*35 | 1800 | 0.800 | 4.300 |
| 470 | 25*30 | 1800 | 0.700 | 4.300 |
| 560 | 22*40 | 1900 | 0.600 | 4.300 |
| 560 | 25*30 | 1900 | 0.550 | 4.100 |
| 560 | 30*25 | 2000 | 0.450 | 3.900 |
| 680 | 22*40 | 2100 | 0.430 | 3.700 |
| 680 | 22*45 | 2100 | 0.430 | 3.700 |
| 680 | 25*35 | 2200 | 0.410 | 3.300 |
| 680 | 30*30 | 2200 | 0.400 | 3.200 |
| 820 | 22*50 | 2300 | 0.380 | 3.100 |
| 820 | 25*40 | 2300 | 0.330 | 3.900 |
| 820 | 30*30 | 2400 | 0.290 | 3.300 |
| 820 | 35*25 | 2500 | 0.260 | 3.100 |
| 1000 | 25*45 | 2550 | 0.250 | 2.900 |
| 1000 | 30*35 | 2800 | 0.230 | 2.700 |
| 1000 | 35*30 | 2800 | 0.220 | 2.500 |
| 1200 | 30*40 | 2950 | 0.200 | 2.300 |
| 1200 | 35*35 | 3050 | 0.180 | 2.100 |
| 1500 | 30*50 | 3100 | 0.160 | 2.000 |
| 1500 | 35*40 | 3150 | 0.150 | 1.800 |
| 1800 | 35*50 | 3300 | 0.140 | 1.600 |
| 2200 | 35*55 | 3500 | 0.130 | 1.400 |
| 2200 | 35*60 | 3650 | 0.120 | 1.200 |
| 3300 | 35*65 | 3800 | 0.110 | 1.000 |
| 定格电压 Rated voltage 250V(2E) | | | | |
| 定格静容量(μ F) Rated Capacitance | 外形尺寸 Size Φ D×L (mm) | 定格电流 Rated ripple current m A r.m.s./105℃,120KHz | 阻抗值 Impedance /100KHz/(Ω) | |
| | | | 20℃ | -10℃ |
| 220 | 22*25 | 1480 | 0.980 | 4.300 |
| 270 | 22*30 | 1550 | 0.950 | 4.300 |
| 270 | 25*25 | 1600 | 0.900 | 4.300 |
| 330 | 22*35 | 1800 | 0.800 | 4.300 |
| 330 | 25*30 | 1800 | 0.700 | 4.300 |
| 390 | 22*40 | 1900 | 0.600 | 4.300 |
| 390 | 25*30 | 1900 | 0.550 | 4.100 |
| 390 | 30*25 | 2100 | 0.450 | 3.900 |
| 470 | 22*45 | 2100 | 0.430 | 3.700 |
| 470 | 25*35 | 2200 | 0.410 | 3.300 |
| 470 | 30*30 | 2200 | 0.400 | 3.200 |
| 560 | 25*40 | 2300 | 0.380 | 3.100 |
| 560 | 30*30 | 2300 | 0.330 | 3.900 |
| 560 | 35*25 | 2400 | 0.290 | 3.300 |
| 680 | 25*45 | 2500 | 0.260 | 3.100 |
| 680 | 30*35 | 2550 | 0.250 | 2.900 |
| 680 | 35*30 | 2650 | 0.230 | 2.700 |
| 820 | 30*40 | 2650 | 0.220 | 2.500 |
| 820 | 35*35 | 2750 | 0.200 | 2.300 |
| 1000 | 30*50 | 2900 | 0.180 | 2.100 |
| 1000 | 35*40 | 2950 | 0.160 | 2.000 |
| 1200 | 35*45 | 2950 | 0.155 | 1.900 |
| 2200 | 35*65 | 3600 | 0.150 | 1.800 |

SMZ Series

标准品一览表/STANDARD SIZE

| 定格电压 Rated voltage 400V(2G) | | | | |
|---------------------------------|-------------------------|---|---------------------------|-------|
| 定格静容量(μ F) Rated Capacitance | 外形尺寸 Size Φ D×L (mm) | 定格电流 Rated ripple current m A r.m.s./105℃,120KHz | 阻抗值 Impedance /100KHz/(Ω) | |
| | | | 20℃ | -10℃ |
| 82 | 22*25 | 1140 | 1.450 | 4.900 |
| 100 | 22*30 | 1300 | 1.400 | 4.800 |
| 100 | 25*25 | 1300 | 1.380 | 4.900 |
| 120 | 22*35 | 1460 | 1.330 | 4.800 |
| 120 | 25*30 | 1460 | 1.330 | 4.600 |
| 150 | 22*40 | 1530 | 1.300 | 4.500 |
| 150 | 25*30 | 1530 | 1.250 | 4.400 |
| 150 | 30*25 | 1530 | 1.220 | 4.380 |
| 180 | 22*45 | 1600 | 1.200 | 4.350 |
| 180 | 25*35 | 1600 | 1.150 | 4.300 |
| 180 | 30*30 | 1600 | 1.120 | 4.300 |
| 220 | 22*50 | 1800 | 1.100 | 4.300 |
| 220 | 25*40 | 1800 | 1.050 | 4.100 |
| 220 | 30*30 | 1850 | 1.000 | 3.900 |
| 220 | 35*25 | 1850 | 0.950 | 3.900 |
| 270 | 25*45 | 1950 | 0.900 | 3.900 |
| 270 | 30*35 | 1950 | 0.850 | 3.700 |
| 定格电压 Rated voltage 400V(2G) | | | | |
| 定格静容量(μ F) Rated Capacitance | 外形尺寸 Size Φ D×L (mm) | 定格电流 Rated ripple current m A r.m.s./105℃,120KHz | 阻抗值 Impedance /100KHz/(Ω) | |
| | | | 20℃ | -10℃ |
| 150 | 25*24 | 1050 | 1.800 | 3.900 |
| 220 | 35*30 | 2050 | 0.800 | 3.200 |
| 270 | 35*30 | 2050 | 0.800 | 3.200 |
| 330 | 30*40 | 2180 | 0.750 | 3.000 |
| 330 | 35*30 | 2200 | 0.700 | 2.900 |
| 390 | 30*45 | 2350 | 0.650 | 2.700 |
| 390 | 35*35 | 2350 | 0.600 | 2.600 |
| 470 | 35*40 | 2550 | 0.520 | 2.500 |
| 470 | 35*45 | 2550 | 0.500 | 2.400 |
| 560 | 35*45 | 2650 | 0.460 | 2.400 |
| 680 | 35*50 | 2800 | 0.200 | 2.300 |
| 820 | 35*60 | 2980 | 0.180 | 2.100 |
| 1000 | 35*60 | 3210 | 0.160 | 2.000 |
| 定格电压 Rated voltage 450V(2W) | | | | |
| 定格静容量(μ F) Rated Capacitance | 外形尺寸 Size Φ D×L (mm) | 定格电流 Rated ripple current m A r.m.s./105℃,120KHz | 阻抗值 Impedance /100KHz/(Ω) | |
| | | | 20℃ | -10℃ |
| 82 | 22*30 | 1300 | 1.400 | 4.800 |
| 82 | 25*25 | 1300 | 1.380 | 4.900 |
| 100 | 22*35 | 1460 | 1.330 | 4.800 |
| 100 | 25*30 | 1460 | 1.330 | 4.600 |
| 120 | 22*40 | 1530 | 1.300 | 4.500 |
| 120 | 25*35 | 1530 | 1.250 | 4.400 |
| 120 | 30*25 | 1530 | 1.220 | 4.380 |
| 150 | 22*45 | 1600 | 1.200 | 4.350 |
| 150 | 25*40 | 1600 | 1.150 | 4.300 |
| 150 | 30*30 | 1600 | 1.120 | 4.300 |
| 150 | 35*25 | 1800 | 1.100 | 4.300 |
| 180 | 22*50 | 1800 | 1.050 | 4.100 |
| 180 | 25*40 | 1850 | 1.000 | 3.900 |
| 180 | 30*30 | 1850 | 0.950 | 3.900 |
| 180 | 35*25 | 1950 | 0.900 | 3.900 |
| 220 | 25*45 | 1950 | 0.850 | 3.700 |
| 220 | 30*35 | 2050 | 0.800 | 3.200 |
| 220 | 35*30 | 2180 | 0.750 | 3.000 |
| 270 | 30*40 | 2200 | 0.700 | 2.900 |
| 270 | 35*35 | 2350 | 0.650 | 2.700 |
| 330 | 30*46 | 2350 | 0.600 | 2.600 |
| 330 | 30*50 | 2350 | 0.600 | 2.600 |
| 330 | 35*40 | 2550 | 0.520 | 2.500 |
| 390 | 35*40 | 2550 | 0.500 | 2.400 |
| 470 | 35*40 | 2650 | 0.460 | 2.400 |
| 470 | 35*45 | 2800 | 0.200 | 2.300 |
| 470 | 35*60 | 2800 | 0.200 | 2.300 |
| 560 | 35*50 | 2980 | 0.180 | 2.100 |
| 680 | 35*60 | 3010 | 0.160 | 2.000 |
| 820 | 35*60 | 3210 | 0.150 | 1.580 |

X-ON Electronics

Largest Supplier of Electrical and Electronic Components

Click to view similar products for [Aluminium Electrolytic Capacitors - Snap In](#) category:

Click to view products by [KNSCHA](#) manufacturer:

Other Similar products are found below :

[NRLF103M25V35X20F](#) [EET-XB2W221LA](#) [LGQ2C681MELEDE](#) [108LMB200M2ED](#) [B41231C4229M](#) [LGM2W181MELA25](#) [MVK-25VC33-M-6.3*5](#) [ALC40F1012DH](#) [ALC40E1004EL](#) [LGZ2W151MELB40](#) [LGZ2W271MELC45](#) [LGZ2W221MELC40](#) [LGZ2W151MELC30](#) [LGZ2W121MELC25](#) [ALA8DA561EF500](#) [DCMC142T250AB2A](#) [ESMH630VSN123MA45U](#) [ESMH630VRT183MB50U](#) [E81D251VNN331MQ35U](#) [ELXS451VNN820MP25S](#) [ESMM181VSN402QA70U](#) [ELXG160VNN562MP25S](#) [ELXG160VSN562MP25S](#) [ESMH160VNN104MA80U](#) [450MXG82MEFCSN22X25](#) [EKMW421VSN391MQ45S](#) [KN821M25035*30C](#) [152EC0351](#) [152EC0343](#) [152EC0354](#) [TLS450V220M35*25](#) [KS200M821SI225*35TA-1B1ET](#) [KM450M101SI222*30TA-1A3ET](#) [400MXC220MEFCSN35X25](#) [TDA63V4700M22*50 V](#) [HP221M450N350AP4](#) [152EC0329](#) [LAO-50V103MS45PX#B](#) [152EC0566](#) [KN331M45035*30A](#) [KN821M45035*56P4](#) [450USC330MEFCSN25X50](#) [152EC0327](#) [HP471M250N300AP4](#) [TLS500V100M25.4*30 V](#) [KN331M40030*30A](#) [TLS315VS470M30*30 VS](#) [KM250M471SI225*35TA-1B3Et](#) [KS400M151SI222*30TA-1A1ET](#) [152EC0337](#)