

## 规格承认书

Specification for approval

客户名称:

深圳市立创电子商务有限公司

( Customer Name )

产品名称:

贴片铝电解电容器

( Product Name )

SMD Aluninum Electrolytic Capacitor

客户料号:

( Customer part number )

科尼盛料号:

RVT470UF50V34RV0133





( KNSCHA number )

型号规格:

SMD E/C 470UF/50V 12.5\*13.5mm RVT

( Specifications )

SMD E/C 470UF/50V 12.5\*13.5mm RVT

制 造 (Manufacture)		
Approval		
拟 制 (Fiction)	审 核 (Chief)	核 准 (Approval)
 		

客 户 (Customer)		
Approval		
检 验 (Inspect)	审 核 (Chief)	核 准 (Approval)

**东莞市科尼盛电子有限公司**

DONG GUAN KNSCHA ELECTRONICS CO.,LTD.

No. 8th floor, A3 building, R&D center (Phase I),

Songshan Lake Intelligent Valley, Liaobu Town, Dongguan City.

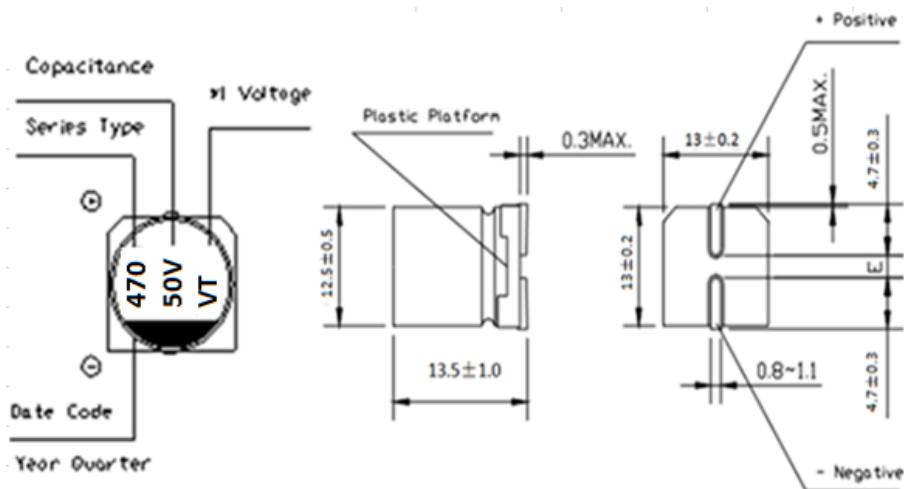
TEL:0769-83698067 81035570 FAX: 0769-83861559

Email : sales@knscha.com Website: http://www.knscha.com



# 规格书

Items	Performance	
Series	VT	
Operating Temperature Range	-55~+105℃	
Case size(φD×L mm)	12.5×13.5(±1.0)	
Voltage Range	50V	
Capacitance	470μ F	
Capacitance Tolerance	±20% at 120Hz, 20℃	
Leakage Current	≤235μ A (2min)	
Tanδ(at 120Hz,20℃)	≤0.18	
Allowable ripple(at 120Hz,105℃)	520 mA rms.Maximum	
Load Life: After 2000 hours' application of rated voltage at 105℃ , capacitors meet the characteristics requirements listed at right.	<b>Capacitance Change:</b> Within ±20% of the initial value <b>Tanδ :</b> 200% or less of the initial specified value <b>Leakage Current:</b> Initial specified value or less	
Shelf Life: After leaving capacitors under no load at 105℃ for 1000 hours, they meet the specified value for load life characteristics listed above.		
Stability at Low Temperature	Measurement frequency : 120Hz	
	Impedance ratio	Z-25℃/Z+20℃      2
	ZT/Z20(max)	Z-55℃/Z+20℃      3



批准	徐贵南	
制作	刘淑芬	

东莞市科尼盛电子有限公司

## X-ON Electronics

Largest Supplier of Electrical and Electronic Components

*Click to view similar products for [Aluminium Electrolytic Capacitors - SMD category](#):*

*Click to view products by [KNSCHA manufacturer](#):*

Other Similar products are found below :

[EEV-FK1E332W](#) [ULV2H1R8MNL1GS](#) [MAL214099813E3](#) [CA025M4R70REB-0405](#) [HUB1800-S](#) [RYK-50V101MG5TT-FL](#)  
[107AXZ016MQ5](#) [RVJ-50V101MH10U-R](#) [EMVH101GRA221MMN0S](#) [MAL214097402E3](#) [MAL215375471E3](#) [MAL224699909E3](#)  
[MAL224699813E3](#) [MAL215099818E3](#) [AEH1213221M050R](#) [AEH1010331M025R](#) [AEA1010102M016R](#) [AEH1012471M016R](#)  
[MAL213967339E3](#) [ZSC00AF2211EARL](#) [VB1E100MB054000CE0](#) [VD4.7UF400V90RV0094](#) [FZ470UF25V90RV0113](#)  
[GVT1H476M0608CNVC](#) [GVE1V226M0506CNVC](#) [GVT1H226M0606CNVC](#) [ATB106M050D058](#) [ATB476M050F065](#) [ATB476M035E058](#)  
[ATB107M016E058](#) [ATB107M035E077](#) [EMHL250ARA221MHA0G](#) [ATB477M016F102](#) [EMK1EM331FB0D00R](#) [EMF1CM221FB0D00R](#)  
[EMF1CM331FB0D00R](#) [EMF1CM471FB0D00R](#) [EMK1JM101GB0D00R](#) [EMK1AM102GB0D00R](#) [EMK1HM221GB0D00R](#)  
[DV221M6R3E055ETR](#) [DV221M025E077ETR](#) [RV331M025F105ETR](#) [HV100M035B055ETR](#) [VH1J101MG105000CE0](#)  
[VD1H221MG105000CE0](#) [VD1C100MB054000CE0](#) [VD2A100ME077000CE0](#) [RVT1A101M0505](#) [VP1C221M0605](#)