

KNSCHA[®]

全球 高 端 电 容 器 制 造 商

东莞市科尼盛电子有限公司

DONGGUAN KNSCHA ELECTRONICS CO., LTD.

规格承认书

Specification for approval

客户名称:

(Customer Name)

产品名称:

(Product Name)

客户料号:

(Customer part number)

科尼盛料号:

(KNSCHA number)

型号规格:

(Specifications)

铝电解电容

Aluminum Electrolytic Capacitor

SHA68UF450V01EC1893

KNSCHA SHA 450V680 μ F Φ 22*25L

KNSCHA SHA 450V680 μ F Φ 22*25L

制 造
(Manufacture)

Approval

拟 制
(Fiction)

审 核
(Chief)

核 准
(Approval)

刘淑芬

刘军军

徐贵南



客 户
(Customer)

Approval

检 验
(Inspect)

审 核
(Chief)

核 准
(Approval)

东莞市科尼盛电子有限公司

DONG GUAN KNSCHA ELECTRONICS CO.,LTD.

No. The 8th Floor, A3 Building, R&D Center (Phase I),

Songshan Lake Intelligent Valley, Liaobu Town, Dongguan City.

TEL:0769-83698067 81035570

FAX: 0769-83861559

Email : sales@knscha.com Website: <http://www.knscha.com>



SHA Series

Item Name	Rating	Case size	KNSCHA LIFE
SHA68UF450V01EC1893	450V68 μ F	Φ 22*25L	3000 hours

1. Operating Temp. Range

"- 40°C ~ + 105°C"

2. Electrical Characteristics

See Table 1.

【Table 1】

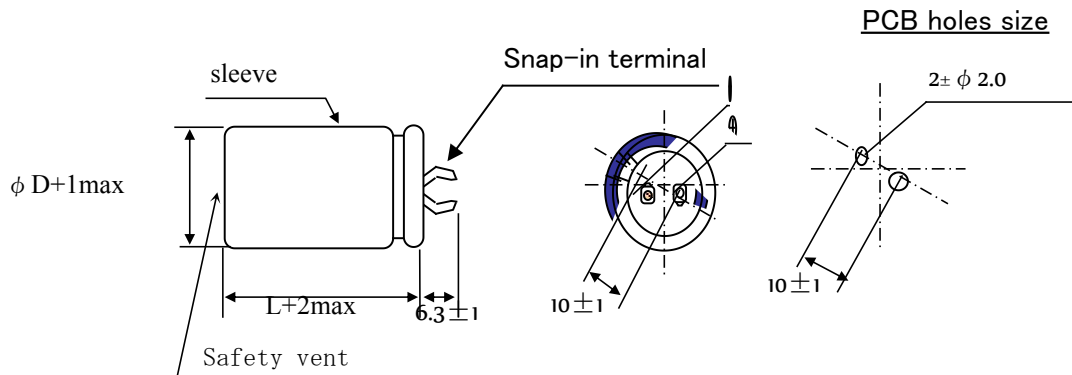
Rated Voltage VDC	Surge Voltage VDC	Nominal Static Capacitance (μ F)	Tolerance on Capacitance (%) 20°C 120Hz	Dissipation Factor (tan δ) max 20°C 120Hz	Leakage Current 5min. 20°C (μ A)	Permissible Ripple Current (mA rms) 105°C 120Hz	Impedance (Ω) 100KHZ 20°C
450	500	68	-20 ~ +20	0.15	612	1150	1.1

容量超过1000 μ F; 每超过1000 μ F, 损失角增加0.02

3. Shape and Dimensions

SHA Series

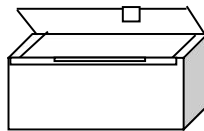
◆ Shape and Dimensions



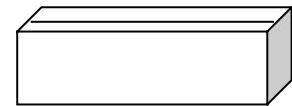
ϕD	L
22	25

4. Packing shape

4-1 Inner Box



4-2 Outer box



4-3 Quantity per package

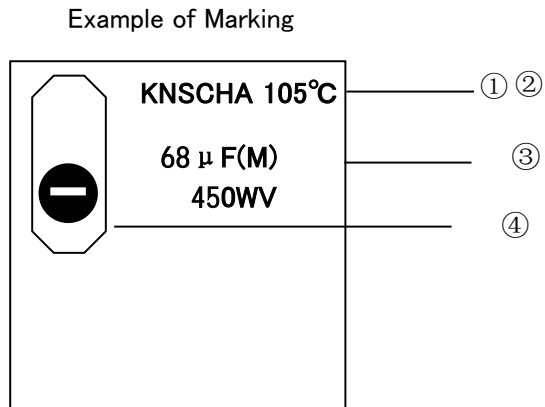
Unit (mm)

ΦD	L	Out box
22	25	576pcs

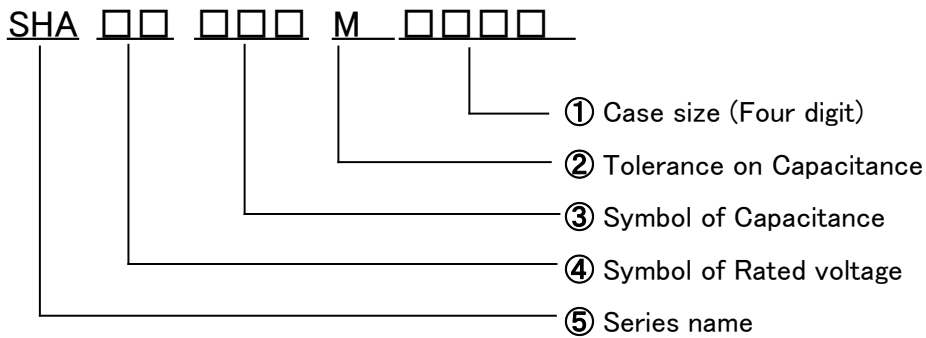
5. Marking

Following items are printed with white color on coffee color sleeve

- ① Trade Mark
- ② Max Operating Temp.
- ③ Rated voltage & Nominal Capacitance
Symbol of Capacitance Tolerance (M)
- ④ Polarity (negative)



6. Type numbering system



④

Volt.	Symbol
450	2W

③

Capacitance	Example
68	680

①

Case size (Four digit) Example

Case size	Symbol
Φ 22*25	2225

②

Tolerance on Capacitance

M	± 20%

7. Characteristics
7-1.

No.	Item	Performance	Test Method			
1	Leakage Current	$I = 612 \mu A$ ($I = 0.02CV$) Whichever is smaller (After 5min)	Protection Resistor : $1000 \pm 10 \Omega$ Applied Volt : Rated Voltage Measuring time : 3minutes			
2	Static Capacitance	- 20% ~ + 20%	Measured Frequency : $120Hz \pm 20\%$ Measured Voltage $\leq 0.5V_{rms}$, 1.5 ~ 2.0VDC			
3	Dissipation Factor (tan δ)	0.15 and Under	Same as condition of Capacitors			
4	High Temp. Load Characteristics	Leakage Current	\leq the value specified in Table 1			
		Cap. Change	$\leq \pm 20\%$ of initial value			
		Dissipation Factor	$\leq 200\%$ of value specified in Table			
		Appearance	No rSHArkable abnormality			
			Test Temp. : $105 \pm 2^\circ C$ Applied voltage: Rated voltage Test Time : 3,000 hours +72, -0 hours			
5	High Temp. no load Characteristics	Leakage Current	\leq the value specified in Table 1			
		Cap. Change	$\leq \pm 15\%$ of initial value			
		Dissipation Factor	$\leq 150\%$ of value specified in Table			
		Appearance	No rSHArkable abnormality			
			Test Temp. : $105 \pm 2^\circ C$ No voltage applied Test Time : 3,000 hours +24, -0 hurs			
6	Impedance Ratio	W V	450			
		Z-25°C/Z+20°C	8			
		Z-40°C/Z+20°C	12			
7	Temperature Characteristics	Stage	Item	Performance	Stage	Test Temp(°C)
		2	Impedance Ratio	less than the value mentioned in 4-5,	1	20±2
		4	Cap, Change	$\leq \pm 25\%$ against value in stage 3	2	-40±3;
					3	20±2
					4	105±2
					5	20±2
			After the capacitor is held at temperature of each stage and reaches temperature stability, measure performance.			
8	Surge Voltage	Item	PerforSHAnce			
		Leakage Current	\leq the initial specified value			
		Cap, Change	$\leq \pm 15\%$ against value before test			
		Dissipation Factor	\leq the initial specified value			
		Appearance	No rSHAkable abnormality			
					Test Temp. 15~35°C Test volt. Surge Volt.Specified in 2 Voltage apply. 1,000times of chage for 30±5sec, under frequency of 6±0.5sec, and discharge for 5min30sec.	

7-2.Characteristics

No.	Item	Performance	Test Method
9	Vibration Resistance	Capacitance	Stability required
		Cap. Change	≤±5% of the initial specified value
		Appearance	No rSHArkable abnormality
		Frequency : 10~55Hz/1min. Width of vibration, 1.5mm Direction and duration X, Y and Z directions, each for 2 hours (Total 9 hours)	
10	Solderbility	3/4 area of surrounding directions of surface should be covered with new solder.	Solder: Sn-Ag, Sn-Cu Type Soldering Temp : 240±5°C Dipping degree : 2~2.5mm Flux : Ethanol solution (JIS K8101) or Isopropylalchol (JIS K8839) solution of Rosin (JIS K5902)
11	Resistance to Soldering	Leakage Current	≤ Initial specified value
		Cap. Change	≤ ± 10% of initial value
		Dissipation Factor	≤ Initial specified in value
		Appearance	No rSHArkable abnormality
12	Resistance to Humidity	Leakage Current	≤ Initial specified value
		Cap. Change	≤ ±15% of initial value
		Dissipation Factor	≤ Initial spesified value
		Appearance	No rSHArkable abnormality
13	Perssure valve moment charact-erstics	There must not be thing ignition, scattering the resolution that that case works safely	Test Temp. : 40±2°C Humidity 90~95% Test Time : 500 ± 8 hours After the above condition,restored to normal temp, and then measured. Dcmethod: impress the reverse voltage and of 1A, I cancel an electric current.

8 Related Standards JIS C 5141

9 Marking on packing box

- ① Item name
- ② Series name
- ③ Rated Voltage
- ④ Nominal Static Capacitance
- ⑤ Case size
- ⑥ Lot No.
- ⑦ Quantity

10 Soldeing

10-1 Soldering by soldering iron

Temperature of iron top : 270~350°C

Operating time : within 3 sec.

10-2 Flow soldering.

Preheat : PCB surface temperature 120°C±5°C

Solder Temp : 260°C±5°C

Solder Dipping Temp. : 2~4sec.

11 Cleaning of PC boad after soldering

Using follwing solvents is possible but make sure followingcondition

Solvent

IPA or Alcoholic agent like Pinealpha ST-100S, Cleanthrough 750H, 750L, 710M, 750K, or Technocare FRW-14~17

- ① Cleaning should be made by ultrasonic within 5min, at the temperature less then 60°C.
- ② Control of pollution is necessary (conductivity,pH, specific gravity, water volume)
- ③ Please do not keep near cleaning agent. Please do not store in air-tight container.
Please let it dry by hot air at the temperature less than maximum operating temp.

12 Effective life for storage

Storage conditions:

- ① Temperature range must be between 5-35°C
- ② Relative humidity must be less than 75%
- ③ Must be stored indoor
- ④ Must be free from water, oil or salt water
- ⑤ Must be free from toxic gasses (hydrogen sulfide, sulfurous acid, chlorine, ammonium, etc.)
- ⑥ Must be free from ozone, ultraviolet rays or any other radiation
- ⑦ Must be kept in capacitor original package

X-ON Electronics

Largest Supplier of Electrical and Electronic Components

Click to view similar products for [Aluminium Electrolytic Capacitors - Snap In](#) category:

Click to view products by [KNSCHA](#) manufacturer:

Other Similar products are found below :

[NRLF103M25V35X20F](#) [EET-XB2W221LA](#) [LGQ2C681MELEDE](#) [108LMB200M2ED](#) [B41231C4229M](#) [LGM2W181MELA25](#) [MVK-25VC33-M-6.3*5](#) [ALC40F1012DH](#) [ALC40E1004EL](#) [LGZ2W151MELB40](#) [LGZ2W271MELC45](#) [LGZ2W221MELC40](#) [LGZ2W151MELC30](#) [LGZ2W121MELC25](#) [ALA8DA561EF500](#) [DCMC142T250AB2A](#) [ESMH630VSN123MA45U](#) [ESMH630VRT183MB50U](#) [E81D251VNN331MQ35U](#) [ELXS451VNN820MP25S](#) [ESMM181VSN402QA70U](#) [ELXG160VNN562MP25S](#) [ELXG160VSN562MP25S](#) [ESMH160VNN104MA80U](#) [450MXG82MEFCSN22X25](#) [EKMW421VSN391MQ45S](#) [KN821M25035*30C](#) [152EC0351](#) [152EC0343](#) [152EC0354](#) [TLS450V220M35*25](#) [KS200M821SI225*35TA-1B1ET](#) [KM450M101SI222*30TA-1A3ET](#) [400MXC220MEFCSN35X25](#) [TDA63V4700M22*50 V](#) [HP221M450N350AP4](#) [152EC0329](#) [LAO-50V103MS45PX#B](#) [152EC0566](#) [KN331M45035*30A](#) [KN821M45035*56P4](#) [450USC330MEFCSN25X50](#) [HP471M250N300AP4](#) [TLS500V100M25.4*30 V](#) [KN331M40030*30A](#) [TLS315VS470M30*30 VS](#) [KM250M471SI225*35TA-1B3Et](#) [KS400M151SI222*30TA-1A1ET](#) [152EC0337](#) [TDA35VS4700M22*30 VS](#)