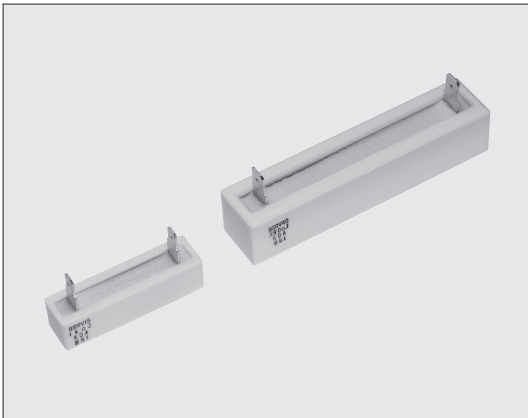
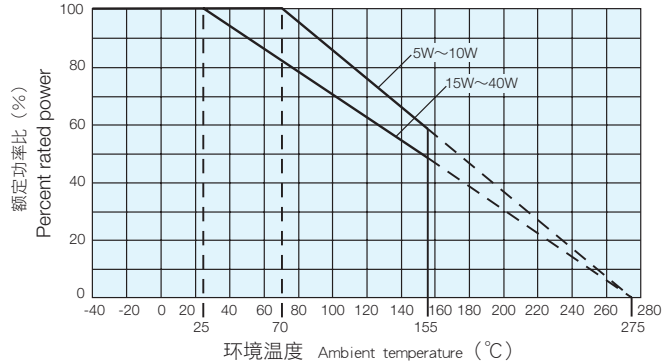


BGRV 矩形绕线电阻器（玻璃芯）（汽车用） Rectangular Type Wirewound Resistors With Glass Core (For Automotive)

BSRV 矩形金属氧化物薄膜电阻器（汽车用） Rectangular Type Metal Oxide Film Resistors (For Automotive)



■ 负荷减轻特性曲线 Derating Curve



■ 特点 Features

- 大功率型电阻器。
- 装入陶瓷壳内的阻燃性/绝缘性电阻器。
- 抗脉冲 / 突入电流性能优异。
- 最适合于汽车等需要高可靠性的用途。AEC-Q200相关数据已取得。
- 符合欧盟RoHS。
- High-power resistor.
- Using flame-retardant/insulated ceramic case.
- Excellent in anti-pulse and inrush current.
- Suitable for high reliable applications like automotives. AEC-Q200 qualified.
- Products meet EU-RoHS requirements.

■ 用途 Applications

- PHEV/EV等预充电电阻/放电电阻
- Pre-charge/Discharge resistors for PHEV, EV

型号 Type	额定功率 Power Rating	电阻值范围 Resistance Range (Ω) E24		形状以及重量 Style & Weight (g/1pcs)
		J: ±5%	K: ±10%	Q
BGRV7	7W	10~390	5.1~9.1	7.9
BGRV10	10W	10~390	5.1~9.1	10.7
BGRV15	15W	10~390	5.1~9.1	18.6
BGRV20	20W	10~390	5.1~9.1	22.1
BGRV30	30W	10~390	5.1~9.1	59.6
BGRV40	40W	10~390	5.1~9.1	70.6
BSRV5	5W	430~51k	—	6.2
BSRV7	7W	430~56k	—	7.9
BSRV10	10W	430~75k	—	10.7
BSRV15	15W	430~56k	—	18.6
BSRV20	20W	430~56k	—	22.1

■ 品名构成 Type Designation

实例 Example

品名 Product Code	额定功率 Power Rating	端子表面材质 Terminal Surface Material	形状 Style	公称电阻值 Nominal Resistance	阻值允许偏差 Resistance Tolerance
BGRV BGRV: 玻璃芯卷线 Wirewound (Glass core) BSRV: 氧化金属膜 Metal oxide film	30 参照上述 See table above	T: Sn	Q: Q style	100 J,K: 3 digits	J: ±5% K: ±10%

欲知关于此产品含有的环境有害物质详情（除EU-RoHS以外），请与我们联系。
Contact us when you have control request for environmental hazardous material other than the substance specified by EU-RoHS.

■ 额定值 Ratings

型号 Type	额定功率 Power Rating	额定环境温度 Rated Ambient Temperature	最高使用电压 (V) Max. Working Voltage		最高过载电压 (V) Max. Overload Voltage		电阻温度系数 T.C.R. (×10 ⁻⁶ /K)		使用温度范围 Operating Temp. Range
			BSRV	BGRV	BSRV	BGRV	BSRV	BGRV	
BSRV5	5W	+70°C	350	—	700	—	±300	±250	-40°C ~ +155°C
B□RV7	7W		500	E=√P·R	1000	E=√P·R·10			
B□RV10	10W		700		1400				
B□RV15	15W		700		1400				
B□RV20	20W	750	1500						
BGRV30	30W	+25°C	—	—	—	—	—		
BGRV40	40W		—	—	—	—			

额定电压是√额定功率×公称电阻值所算出的值或表中最高使用电压两者中小的值为额定电压。

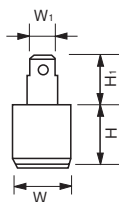
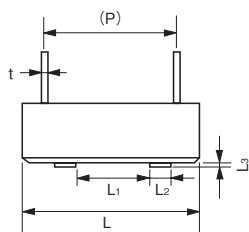
Rated voltage = √Power Rating × Resistance value or Max. working voltage, whichever is lower.

关于定制产品，请您事前咨询。

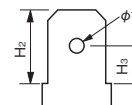
Please consult with us in advance about custom-made products.

■ 外形尺寸 Dimensions

Q Style



端子顶端尺寸图



型号 Type	尺寸 Dimensions (mm)												
	L	L ₁	L ₂	L ₃ ±0.5	W	W ₁	H	H ₁ ±1.0	H ₂	H ₃	(φf)	(P)	t
BSRV5Q	27±1.5	—	—	—	9.5±1.0	4.75	9.5±1.0	10.5	6.5	3.3	2.2	15.0	0.5
BGRV7Q · BSRV7Q	35±1.5	—	—	—								22.5	
BGRV10Q · BSRV10Q	48±1.5	25±1.0	4.5	1.0								35.0	
BGRV15Q · BSRV15Q			7.0		12.5±1.2	12.5±1.5	13.0	6.35	3.15	1.4	34.5		
BGRV20Q · BSRV20Q	63.5±2	40±1.2	10.0	1.0	19.0±1.5	6.3	19.0±1.5	12.0	8.0	4.1	1.7	49.5	0.8
BGRV30Q	75±2.5											56.0	
BGRV40Q	90±2.5											71.0	

()内的尺寸为参考值。Parenthesized dimensions are for reference.

■ 性能 Performance

试验项目 Test Items	标准值 Performance Requirements ΔR±%		试验方法 Test Methods
	保证值 Limit	代表值 Typical	
电阻值 Resistance	在规定的允许偏差内 Within specified tolerance		25℃
电阻温度系数 T.C.R.	在规定值以内 Within specified T.C.R.		+25℃/-55℃ and +25℃/+125℃
耐焊接热 Resistance to soldering heat	1: BSRV 2: BGRV		1.0: BGRV 0.5: BSRV 350℃±10℃、3.5s
耐湿负荷 Moisture resistance	3: BGRV 5: BSRV		2.0: BGRV 2.0: BSRV Power rating×1/10、40℃、90%~95%RH、 1000h、1.5h ON/0.5h OFF cycle
在25℃、70℃时的耐久性 Endurance at 25℃ and 70℃	5: BGRV、BSRV		2.5: BGRV 2.5: BSRV Power according to the derating curve、25℃ and 70℃、 1000h、1.5h ON/0.5h OFF cycle

■ 使用注意事项 Precautions for Use

- 产品受到来自外部环境的离子性杂质污染时，将会对耐湿性、耐腐蚀性等产生不良影响。在保管环境和贴装条件、环境下使用时应予以注意。
- 电阻器通过脉冲（含浪涌）时，可能会发生断线故障。请事先向本公司咨询使用条件。
- 用于交流电路时，由于绕线构造会产生电感因素和寄生电容，因此可能发生振动等异常现象。请仔细考虑其他部件常数的偏差后再使用。
- The products attached by ionic impurities negatively affects their moisture resistance, corrosion resistance, etc. Please pay careful attention to products handling as well as storage, mounting conditions and environment.
- When the pulse including surge is impressed to the resistor, it may cause disconnection. Please confirm us about the conditions for use in advance.
- In case of using them for an AC circuit, abnormal phenomena like oscillation etc. occasionally happen as they have an inductance or a parasitic capacitance because of their wiring structures. Use them by taking the dispersion of constants of other components into the consideration.

X-ON Electronics

Largest Supplier of Electrical and Electronic Components

Click to view similar products for [Wirewound Resistors - Through Hole category:](#)

Click to view products by [KOA Speer manufacturer:](#)

Other Similar products are found below :

[75822-2K4](#) [90J56R](#) [AC03000001208JAC00](#) [EP3WS47RJ](#) [C1010KJL](#) [C1015RJL](#) [C3A10KJT](#) [27J1K0](#) [ES3W47RJ](#) [AC04000001500JAC00](#)
[AC10000002208JAB00](#) [AC10000004708JAB00](#) [SQMW5R39J](#) [SQPW5R22J](#) [SQPW5R33J](#) [1879927-3](#) [FCB2100RJ](#) [T505](#) [FSQ5WR47J](#)
[FW10A33R0JA](#) [CPCC03R5000JB31](#) [CPCC0510R00JE32](#) [CPCC051R000JB31](#) [CPCP10500R0JE32](#) [CPW05700R0JE143](#)
[CPW152K500JE313](#) [C1010RJL](#) [C10220RJL](#) [C10R47JL](#) [C141K0JL](#) [C144R7JL](#) [ES05W100RJ](#) [SQMW1047RJ](#) [SQMW210RJ](#)
[CPCC03R2000JB31](#) [CPCC0515R00JE01](#) [CPW055R000JB143](#) [CPW103K300JE143](#) [CPW202R000JB14](#) [ULW5-39R0JT075](#) [W31-R47JA1](#)
[ULW5-68RJT075](#) [SQBW401K0JFASTON](#) [SPH1001JLF](#) [65888-3R3](#) [CPCC10R5100JE66](#) [SQP500JB-400R](#) [SQBW403R3JFASTON](#) [280-PRM7-4.7-RC](#) [CW02B9R100JE73](#)