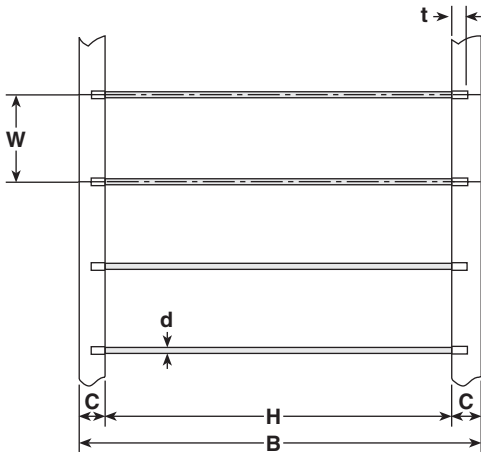


### features

- Suitable for automatic machine insertion
- No rating
- Products with lead-free terminations meet EU RoHS and China RoHS requirements

leaded resistors

### dimensions and construction



T52 Type	Dimensions inches (mm)					
	H	B	C	W	t (max.)	d nominal
JL5						.02 (0.5)
JL6	2.05±.039 (52.0±1.0)	2.56±.039 (65.0±1.0)	.244±.02 (6.2±0.5)	.2±.015 (5.08±0.38)	.098 (2.5)	.024 (0.6)
JL8						.031 (0.8)

T26 Type	Dimensions inches (mm)					
	H	B	C	W	t (max.)	d nominal
JL5						.02 (0.5)
JL6	1.02 <sup>+0.039</sup> <sub>-0</sub> (26.0 <sup>+1</sup> <sub>-0</sub> )	1.54±.039 (39.0±1.0)	.244±.02 (6.2±0.5)	.1972±.02 (5.0±0.5)	.098 (2.5)	.024 (0.6)
JL8						.031 (0.8)

### applications and ratings

Part Designation	Maximum Resistance	Maximum Current Ratings
JL5	10mΩ	8 Amps
JL6		10 Amps
JL8		12 Amps

### ordering information

<b>JL</b>	<b>8</b>	<b>C</b>	<b>T52</b>	<b>A</b>
Type	Nominal Diameter	Termination Material	Taping and Forming	Packaging
	5 (24 gauge) 6 (22 gauge) 8 (20 gauge)	C: SnCu (Other termination styles available, contact factory for options)	T26, T52	A: Ammo

For further information on packaging, please refer to Appendix C.

## X-ON Electronics

Largest Supplier of Electrical and Electronic Components

*Click to view similar products for [Carbon Film Resistors - Through Hole](#) category:*

*Click to view products by [KOA Speer](#) manufacturer:*

Other Similar products are found below :

[RCFQ-100-5TA](#) [RCFQ-100K-5TA](#) [RCFQ-10-5TA](#) [RCFQ-11-5TA](#) [RCFQ-120-5TA](#) [RCFQ-12-5TA](#) [RCFQ-150K-5TA](#) [RCFQ-15K-5TA](#)  
[RCFQ-160-5TA](#) [RCFQ-160K-5TA](#) [RCFQ-180-5TA](#) [RCFQ-18-5TA](#) [RCFQ-18K-5TA](#) [RCFQ-220-5TA](#) [RCFQ-240K-5TA](#) [RCFQ-24-5TA](#)  
[RCFQ-270K-5TA](#) [RCFQ-27-5TA](#) [RCFQ-330K-5TA](#) [RCFQ-33K-5TA](#) [RCFQ-360-5TA](#) [RCFQ-360K-5TA](#) [RCFQ-36-5TA](#) [RCFQ-390K-5TA](#)  
[RCFQ-430K-5TA](#) [RCFQ-43-5TA](#) [RCFQ-47-5TA](#) [RCFQ-620-5TA](#) [RCFQ-62-5TA](#) [RCFQ-680-5TA](#) [RCFQ-680K-5TA](#) [RCFQ-750-5TA](#)  
[RCFQ-91-5TA](#) [RCFQ-91K-5TA](#) [150-04720](#) [OM1625](#) [OMT200L](#) [ON2725E](#) [LCA0207001004J2200](#) [299-1K/REEL](#) [CF1/4-2.2K-5%](#) [CF1/4-](#)  
[8.2M-5%](#) [CFB1/2C101J](#) [CFR16J1K0](#) [CFR50J8K2](#) [293-22/REEL](#) [RCFQ-110-5TA](#) [RCFQ-110K-5TA](#) [RCFQ-11K-5TA](#) [RCFQ-120K-5TA](#)