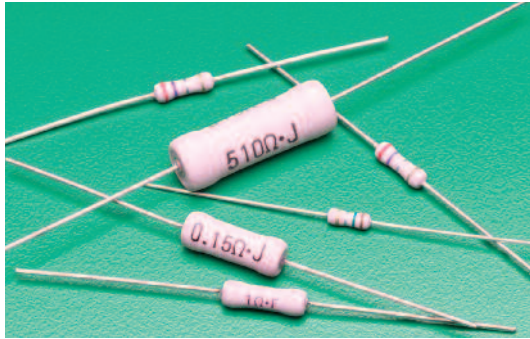


**reduced size metal oxide power type  
leaded resistor**

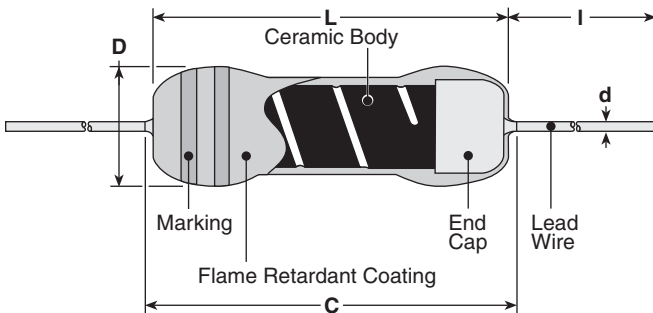


**features**

- Small size power type resistor
- Coated with UL94V0 equivalent flameproof material
- Suitable for automatic machine insertion
- Products with lead-free terminations meet EU RoHS and China RoHS requirements
- Surface mount style “N” forming is suitable for automatic mounting

leaded resistors

**dimensions and construction**



Type	Dimensions inches (mm)				
	L	C (max.)	D	d (nom.) <sup>1</sup>	I*
MOS1/2 MOSX1/2	.244±.02 (6.2±0.5)	.280 (7.1)	.098±.02 (2.5±0.5)	.024 (0.6)	.945 Min. (24.0 Min.)
MOS1 MOSX1	.354±.039 (9.0±1.0)	.437 (11.1)	.118±.02 (3.0±0.5)	.024/.031 (0.6)/(0.8)	
MOS2 MOSX2	.472±.039 (12.0±1.0)	.591 (15.0)	.157±.02 (4.0±0.5)	.031 (0.8)	1.18±.118 (30.0±3.0)
MOS3 MOSX3	.610±.039 (15.5±1.0)	.709 (18.0)	.236±.039 (6.0±1.0)		1.50±.118 (38.0±3.0)
MOS5 MOSX5	.965±.039 (24.5±1.0)	1.10 (28.0)	.354±.039 (9.0±1.0)		

\* Lead length changes depending on taping and forming type.

<sup>1</sup> Ex. MOS1C, 1CT52, 1CT526 = 0.6MM  
MOS1C8, 1CT528 = 0.8MM

**ordering information**

MOS	1	C	T52	8	A	103	J
Type	Power Rating	Termination Material	Taping and Forming	Lead Diameter	Packaging	Nominal Resistance	Tolerance
MOS MOSX	1/2: 0.5W 1: 1W 2: 2W 3: 3W 5: 5W	C: SnCu	Axial: T26, T52, T521, T631 Stand-off Axial: L52, L521, L631 Radial: VTP, VTE, GT, GT4, VTF L, U, M, N Forming	MOS(X)1: T52 & Bulk Only: 6: 0.6mm 8: 0.8mm Blank: All others sizes & packaging	A: Ammo R: Reel TEB, TEG: Plastic embossed (N forming)	±2%, ±5%: 2 significant figures + 1 multiplier “R” indicates decimal on value <10Ω ±1%: 3 significant figures + 1 multiplier “R” indicates decimal on value <100Ω	F: ±1% G: ±2% J: ±5%

For further information on packaging, please refer to Appendix C.

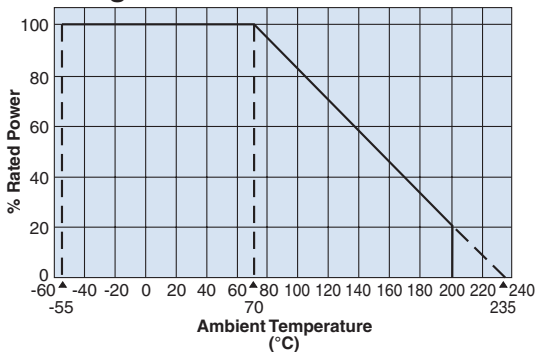
## applications and ratings

Part Designation	Power Rating @ 70°C	Minimum Dielectric Withstanding Voltage	T.C.R. (ppm/°C) Max.	Resistance Range			Absolute Maximum Working Voltage	Absolute Maximum Overload Voltage	Operating Temperature Range
				E-24, E-96* (F±1%)	E-24* (G±2%)	E-24 (J±5%)			
MOS1/2	0.5W	400V	±300	10Ω - 47kΩ	10Ω - 47kΩ	10Ω - 47kΩ	$E = \sqrt{P \times R}$	600V	-55°C to +200°C
MOS1	1.0W	500V		10Ω - 68kΩ	10Ω - 68kΩ	10Ω - 100kΩ			
MOS2	2.0W			10Ω - 100kΩ	10Ω - 100kΩ		350V	700V	
MOS3	3.0W	700V		—	10Ω - 100kΩ	10Ω - 100kΩ	500V	1000V	
MOS5	5.0W	800V		—	—	—	—	—	
MOSX1/2	0.5W	400V		1Ω - 9.1Ω	0.22Ω - 9.1Ω	0.1Ω - 9.1Ω	$E = \sqrt{P \times R}$	E x 2.5	
MOSX1	1.0W	500V		—	—				
MOSX2	2.0W			—	—	—			
MOSX3	3.0W	700V		—	—	—	—	—	
MOSX5	5.0W	800V		—	—	—	—	—	

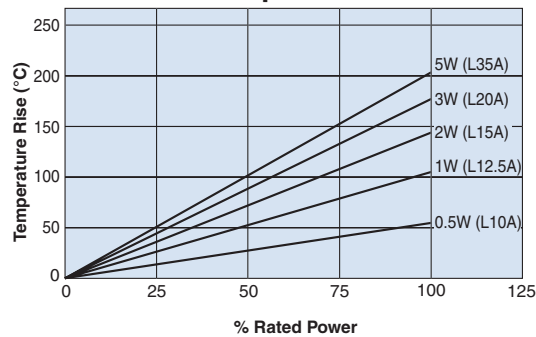
\* Please consult when there is a demand of the resistance besides the 1% and 2% range.

## environmental applications

### Derating Curve



### Surface Temperature Rise



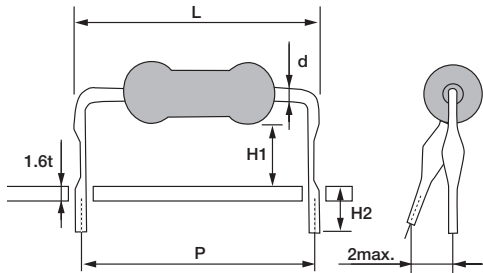
For resistors operated at an ambient temperature of 70°C or above, a power rating shall be derated in accordance with the above derating curve.

## Performance Characteristics

Parameter	Requirement $\Delta R \pm(\% + 0.05\Omega)$		Test Method
	Limit	Typical	
Resistance	Within specified tolerance	—	Measuring points are at 10mm ±1mm from the end cap.
T.C.R.	Within specified T.C.R.	—	+25°C/+125°C
Overload (Short time)	±(2% +0.1Ω)	±1%	Rated voltage x 2.5 for 5 seconds
Resistance to Solder Heat	±1%	±0.5%	260°C ±5°C, 10 seconds ± 1 second
Terminal Strength	No lead-coming off and loose terminals	—	Twist 360°C, 5 times
Rapid Change of Temperature	±1%	±0.5%	-55°C (30 minutes), +155°C (30 minutes), 5 cycles
Moisture Resistance	±(5%+0.1Ω)	±2.5%	40°C ± 2°C, 90 - 95% RH, 1000 hours, 1.5 hr ON, 0.5 hr OFF cycle
Endurance at 70°C	±(5%+0.1Ω)	±2.5%	70°C ± 2°C, 1000 hours, 1.5 hr ON, 0.5 hr OFF cycle
Resistance to Solvent	No abnormality in appearance. Marking shall be easily legible	—	Ultrasonic washing with isopropyl alcohol for 2 minutes. Power: 0.3W/cm <sup>3</sup> , f: 28kHz, Temp: 35°C ±5°C
Flame Retardant	No evidence of flaming or self-flaming	—	Flame test: the test flame shall be applied and removed for each 15 seconds respectively to repeat the cycle 5 times. Overload flame retardant: power (AC) corresponding to 2, 4, 8, 16 and 32 times the power rating shall be applied for each 1 minute until disconnection occurs. However the applied voltage shall not exceed the value of 4 times of the maximum operating voltage

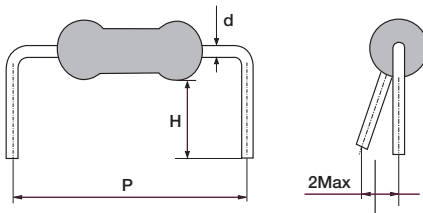
**secondary processed products**

**L Forming**



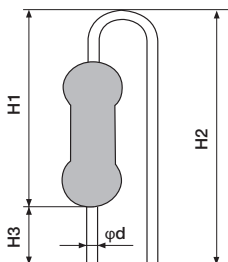
Type	Dimensions millimeters				Substrate Hole Dia.	
	P	H1	H2	d (Nom.)		
1/2CL10A	10.0±1.0	5.3±1.0	4.0	0.6	ø0.8	
1CL12.5A	12.5±1.0	7.0±1.0		17.5		
1CL15A	15.0±1.0	6.5±1.0				
2CL15A		7.0±1.0				
2CL15F	4.5±1.0					
2CL20A	20.0±1.0	9.0±1.0		0.8		ø1.0
2CL20D		4.8±1.0				
3CL20A		8.0±1.0				
3CL20C		10.0±1.0				
3CL20T	4.0±1.0					
3CL25A	25.0±1.0	7.0±1.0	30.0±1.0	ø1.0		
3CL30A	7.0±1.0					
5CL30A	8.5±1.0					
5CL35A	35.0±1.0	5.5±1.0				

**M Forming**



Type	Dimensions millimeters			Substrate Hole Dia.
	P	H	d (Nom.)	
1/2CM10C	10.0±1.0	3.5±1.0	0.6	ø0.8
1/2CM10F	10.0±1.0	5.0±1.0	0.6	
1CM12.5C	12.5±1.0	3.5±1.0	0.8	ø1.0
1CM12.5D	12.5±1.0	4.0±1.0	0.8	
1CM15F	15.0±1.0	5.0±1.0	0.8	
1CM15J	15.0±1.0	6.3±1.0	0.8	
1CM15S	15.0±1.0	11.0±1.0	0.8	
2CM15C	15.0±1.0	3.5±1.0	0.8	
2CM15E	15.0±1.0	4.5±1.0	0.8	
2CM16D	16.0±1.0	4.0±1.0	0.8	
2CM20D	20.0±1.0	4.0±1.0	0.8	
2CM20U	20.0±1.0	13.5±1.0	0.8	
3CM20E	20.0±1.0	4.6±1.0	0.8	
3CM26E	26.0±1.0	4.7±1.0	0.8	
5CM30U	30.0±1.0	13.0±1.0	0.8	

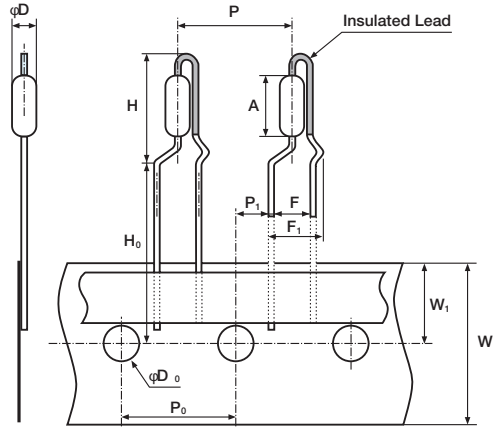
**UCL Forming**



Type	Dimensions millimeters			Insertion Pitch	Substrate Hole Dia.
	H1	H2	H3		
1CUCL	13.0±1.0	17.0 max.	3.5±1.0	0.8	ø1.0
2CUCL	14.5±1.0	18.5 max.	3.5±1.0		
3CUCL	20.0 max.	22.0±1.0	4.0±1.0		

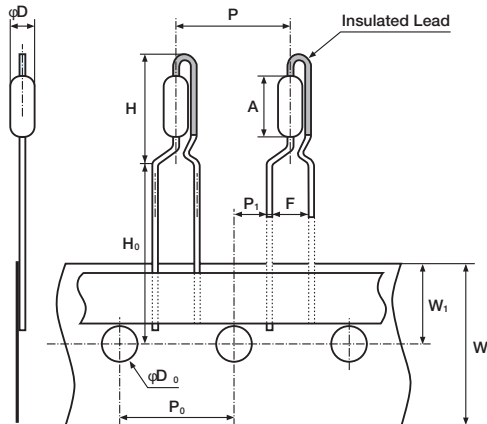
**secondary processed products** (continued)

**VTF Radial Taping**

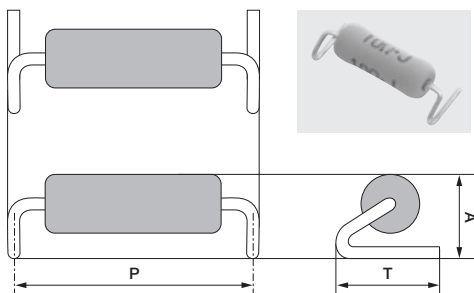


Type	1/2C	1C	2C	2C
	VTP	VTP	VTP	VTF
<b>A</b>	6.2±0.5	9.0±1.0	12.0±1.0	12.0±1.0
<b>øD</b>	2.5±0.5	3.0±0.5	4.0±0.5	4.0±0.5
<b>d (Nom.)</b>	0.6	0.6	0.65	0.8
<b>F</b>	5.0±0.5	5.0±0.5	5.0±0.5	5.0±0.5
<b>F1</b>	—	—	—	7.3 max.
<b>H</b>	13 max.	16 max.	22.5 max.	22.5 max.
<b>H0</b>	16.0+1.0/-0	16.0+1.0/-0	16.0+1.0/-0	16.0+1.0/-0
<b>P</b>	12.7±1.0	12.7±1.0	12.7±1.0	12.7±1.0
<b>P0</b>	12.7±0.3	12.7±0.3	12.7±0.3	12.7±0.3
<b>P1</b>	3.85±0.7	3.85±0.7	3.85±0.7	3.85±0.7
<b>W</b>	18.0±0.5	18.0±0.5	18.0±0.5	18.0±0.5
<b>W1</b>	9.0±0.5	9.0±0.5	9.0±0.5	9.0±0.5
<b>øD0</b>	4.0±0.2	4.0±0.2	4.0±0.2	4.0±0.2
<b>Substrate Hole Dia.</b>	ø0.8	ø0.8	ø0.8	ø1.0

**VTP Radial Taping**

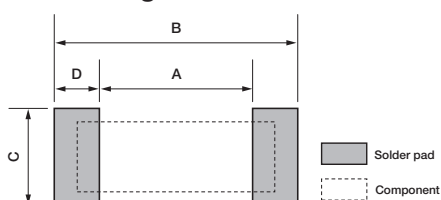


**N Forming**



Type	1C	2C	3C
	N14.5TEB	N17TEB	N20TEG
<b>P±1</b>	14.5	17.0	20.0
<b>T±0.5</b>	5.0	6.0	7.5±1.0
<b>A±0.5</b>	4.8	5.8	6.5
<b>d (Nom.)</b>	0.8	0.8	0.8

**UCL Forming**



Type	1C	2C	3C
	N14.5TEB	N17TEB	N20TEG
<b>A</b>	12.5	14.6	17.6
<b>B</b>	16.5	19.4	22.4
<b>C</b>	7.0	8.0	9.5
<b>D</b>	2.0	2.4	2.4

## X-ON Electronics

Largest Supplier of Electrical and Electronic Components

*Click to view similar products for [Metal Film Resistors - Through Hole](#) category:*

*Click to view products by [KOA Speer](#) manufacturer:*

Other Similar products are found below :

[FRN25J330R](#) [FRN50J1R0S](#) [H4100RBYA](#) [H415RBZA](#) [H41K1BYA](#) [H41K5BYA](#) [H41M0BDA](#) [H420R5BCA](#) [H421R5BZA](#) [H4221RBYA](#)  
[H424K3BDA](#) [H442K2BDA](#) [H45K62BZA](#) [H4634RBZA](#) [H473R2BZA](#) [H4931KBZA](#) [H8160KFDA](#) [H8274KBZA](#) [H82K0FDA](#) [H82K0FZA](#)  
[H87K5DYA](#) [RLR05C6201GS](#) [HR01623J](#) [HR01682J](#) [270-1.69M-RC](#) [LR0204F110R](#) [LR0204F18R](#) [LR0204F20K](#) [LR0204F20R](#)  
[LR0204F510R](#) [LR1F121R](#) [LR1F133K](#) [LR1F383R](#) [LR1F3K01](#) [LR1F4K75](#) [LR2F330RJIT](#) [LR2F910R](#) [ERX-2SZJR20E](#) [SQMR5390RJ](#)  
[SQMR74K7J](#) [SQPR533KJ](#) [FMF-25FTF52-100K](#) [FRN50J100RS](#) [FRN50J470RS](#) [H4100RBZA](#) [H414R3BZA](#) [H415KBYA](#) [H4174KBZA](#)  
[H4174RBDA](#) [H41K21BYA](#)