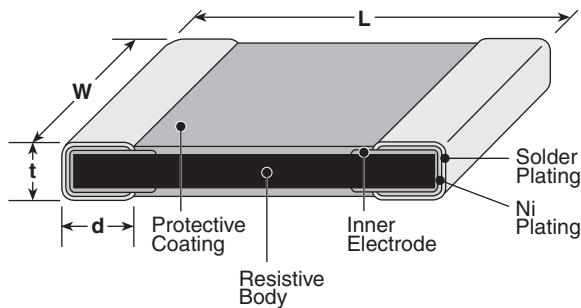


**features**

- Reduced size, light weight and small mounting area
- Quick thermal response
- Curie temperature: 70°C, 80°C, 100°C
- Marking: Black coating for 70°C Curie temperature  
Brown coating for 80°C Curie temperature  
Blue coating for 100°C Curie temperature
- Products with lead-free terminations meet EU RoHS and China RoHS requirements

**dimensions and construction**



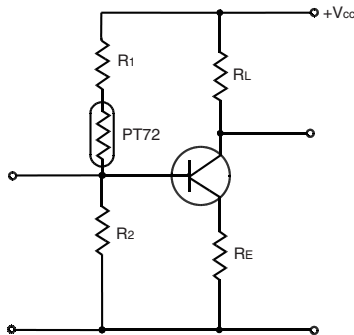
Type (Inch Size Code)	Dimensions inches (mm)			
	L	W	t	d
<b>2A (0805)</b>	.079±.008 (2.0±0.2)	.049±.008 (1.25±0.2)	.039±.008 (1.0±0.2)	.016±.008 (0.4±0.2)
<b>2B (1206)</b>	.126±.008 (3.2±0.2)	.063±.008 (1.6±0.2)		.02±.012 (0.5±0.3)

**ordering information**

New Part #	<b>PT72</b>	<b>2A</b>	<b>T</b>	<b>70C</b>	<b>TE</b>	<b>471</b>
	Type	Size Code	Termination Material	Curie Temperature	Packaging	Nominal Resistance
		2A: 0805 2B: 1206	T: Sn (Other termination styles available, contact factory for options)	70°C 80°C 100°C	TE: 7" embossed plastic (3,000 pieces/reel)	2 significant figures + 1 multiplier

For further information on packaging, please refer to Appendix A.

### typical circuit schematic

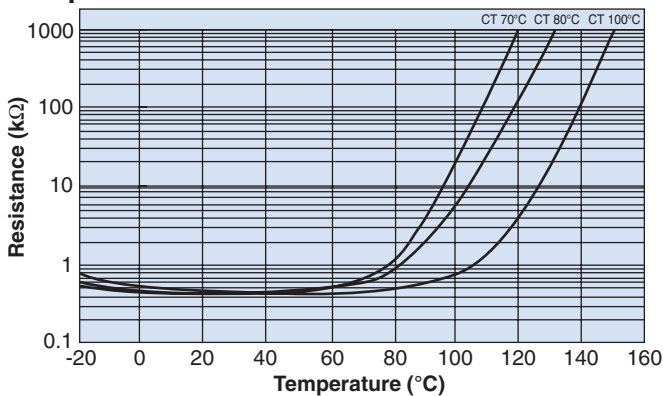


### applications and ratings

Part Designation	Curie Temperature	Nominal Resistance (Ω)	Resistance Tolerance	Temperature @ R25 x 7	Absolute Maximum Working Voltage	Operating Temperature Range
PT722A	70°C	470Ω	±50%	85°C ± 10°C	16V	-55°C to +125°C
	80°C			95°C ± 10°C		
	100°C			115°C ± 10°C		
PT722B	70°C	120Ω, 470Ω, 1kΩ		85°C ± 10°C		
	80°C	50Ω, 470Ω, 1kΩ		95°C ± 10°C		
	100°C	470Ω, 1kΩ		115°C ± 10°C		

### environmental applications

#### Temperature Characteristics



#### Performance Characteristics

Parameter	Requirement Δ R ±%		Test Method
	Limit	Typical	
Resistance to Solder Heat	±20.0%	±4.0%	260°C ± 5°C, 10 seconds ± 1 second
Rapid Change of Temperature	±20.0%	±4.0%	-55°C (30 minutes), +125°C (30 minutes), 5 cycles
Resistance	±50.0%	±35.0%	25°C
Humidity Resistance	±20.0%	±4.0%	40°C ± 2°C, 90 - 95% RH, 1000 hours
Load Life	±20.0%	±4.0%	25°C ± 2°C, 1000 hours, DC16 voltage load

## X-ON Electronics

Largest Supplier of Electrical and Electronic Components

*Click to view similar products for* [PTC \(Positive Temperature Coefficient\) Thermistors](#) *category:*

*Click to view products by* [KOA Speer](#) *manufacturer:*

Other Similar products are found below :

[PTCCL09H251FB](#) [PTCTL3MR100GTE](#) [PTCCL05H630HTE](#) [B59346A1502P020](#) [B59980C0160A070](#) [PTCTT95R100GTE](#)  
[PTCLL05P131TBE](#) [B59841C0135A070](#) [PTCCL09H541DBE](#) [TFPT0805L1800FV](#) [B59725T1120A062](#) [B59116S0225B010](#)  
[B59008C0150A040](#) [B59100M1090A070](#) [B59100M1145A070](#) [B59873C0120A070](#) [102PS1G](#) [B59990C0080A070](#) [B59300M1150A070](#)  
[B59339A1501P020](#) [B59770B0120A070](#) [B59995C0120A070](#) [YQR100R060](#) [YQS5751PTO](#) [YQS5856PTF](#) [YQS5930PTO](#) [YS5675](#)  
[YS5918PTO](#) [YQS5898PTO](#) [YQS5868PTF](#) [YQD100N1000](#) [KTY81/210,112](#) [B59010D1135B40](#) [B59606A110A62](#) [B59807A90A62](#)  
[B59830C120A70](#) [B59874C120A70](#) [B59960C160A70](#) [YQD120N0025](#) [PTGL12AS4R7K6B51B0](#) [PTGL12AR270M9C01B0](#)  
[PTGL12AR100M6C01B0](#) [PTGL09AR390N0B52A0](#) [PTGL07AS2R7K2B51A0](#) [PTGL07AS1R8K2B51B0](#) [PTS120601B100RPU00](#)  
[PTGL10AR3R9M3P51B0](#) [PTGL07BD220N3B51B0](#) [PTGL07AS5R6K4B51B0](#) [PTGL07AS150K6B51A0](#)