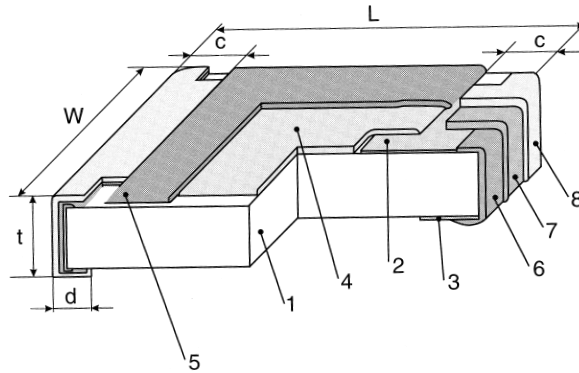
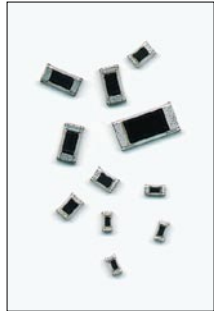


**FLAT CHIP  
TRIMMABLE THICK FILM  
RK73N**



**STRUCTURE**

- 1 Ceramic substrate
- 2 Top termination (Ag Pd)
- 3 Bottom termination (Ag)
- 4 Resistive layer
- 5 Glass layer
- 6 End termination
- 7 Diffusion barrier (Ni)
- 8 End termination

**IDENTIFICATION**

TYPE	COATING COLOR	MARKING
RK73N	Black resistive layer (no coating)	None

Products with Pb-free terminations meet EU-RoHS requirements

**TYPE DESIGNATION (HOW TO ORDER)**

RK73N	1J	T	TD	103	P
PRODUCT CODE	STYLE 1E...W3A	TERMINATION SURFACE MATERIAL T: Sn (L: Sn/Pb)	TAPING* TP, TD, TE, BK <small>*Please see "PACKAGING"</small>	NOMINAL RESISTANCE 3 digits	TOLERANCE W: (±10%) P: (0...-30%) N: (0...-20%) M: (±20%)

**FEATURES**

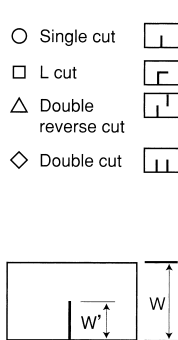
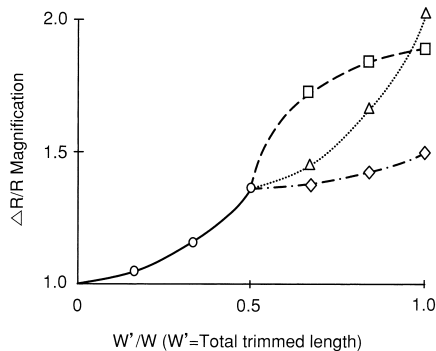
- This trimmable chip resistor is suitable for the circuit demanding stability as a replacement of variable resistor for adjusting circuit (customers need laser trimming machines)
- The resistance rising rate gets a limit value at the initial resistance x 2 and differs depending on the trimming form
- Glass passivated, supplied without protective coat
- Excellent heat resistance and moisture resistance are ensured by the use of metal glaze thick film
- Anti-leaching nickel barrier terminations
- Rated ambient temperature: + 70° C
- Operating temperature range: - 55° C ... + 125° C
- Meets or exceeds IEC 60115-8, JIS C 5201-8, EIAJ RC-2134A
- Suitable for reflow and wave soldering

**DIMENSIONS (mm)**

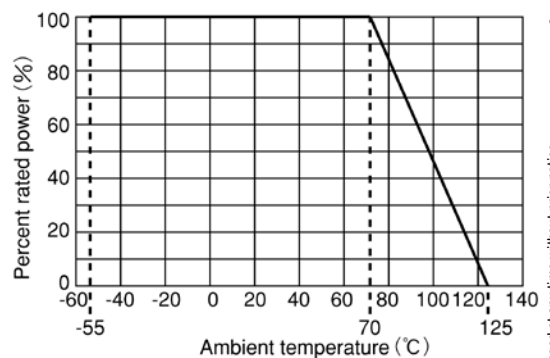
TYPE	L	W	c	d	t
RK73N 1E	1.0 <sup>+0.1</sup> / <sub>-0.05</sub>	0.5 ± 0.05	0.2 ± 0.1	0.25 <sup>+0.05</sup> / <sub>-0.1</sub>	0.33 ± 0.05
RK73N 1J	1.6 ± 0.2	0.8 ± 0.1	0.3 ± 0.1	0.3 ± 0.1	0.45 ± 0.1
RK73N 2A	2.0 ± 0.2	1.25 ± 0.1	0.4 ± 0.2	0.3 <sup>+0.2</sup> / <sub>-0.1</sub>	0.5 ± 0.1
RK73N 2B	3.2 ± 0.2	1.6 ± 0.2		0.4 <sup>+0.2</sup> / <sub>-0.1</sub>	
RK73N 2E		2.6 ± 0.2	0.5 ± 0.3		0.6 ± 0.1
RK73N W2H*	5.0 ± 0.2	2.5 ± 0.2		0.65 ± 0.15*	
RK73N W3A*	6.3 ± 0.2	3.1 ± 0.2			

\* RK73N 2H and RK73N 3A are also still available (different "d" dimensions = 0.4 <sup>+0.2</sup>/<sub>-0.1</sub> mm)

**RESISTANCE INCREASE vs. TRIMMING**



**DERATING CURVE**



**RATING**

SIZE	TYPE	T.C.R. (ppm/K)	POWER* RATING	MAX. WORKING VOLTAGE	MAX. OVERLOAD VOLTAGE	RESISTANCE RANGE (E12)	
						N(0... -20%) • P(0...-30%) • W(± 10%) • M(± 20%)	10 Ω ... 1 MΩ
0402	RK73N 1E	± 200	0.063 W	50 V	100 V		
0603	RK73N 1J		0.1 W				
0805	RK73N 2A		0.125 W				
1206	RK73N 2B		0.25 W	200 V	400 V		
1210	RK73N 2E		0.33 W				
2010	RK73N 2H		0.75 W				
2512	RK73N 3A		1.0 W				

\*For resistors operated at an ambient temperature of +70°C or above, the power rating shall be derated like shown in above "DERATING CURVE". Power ratings are changed by total trimmed length.

Rated voltage = √ Power rating x resistance value or max. working voltage, whichever is lower.

Contact our sales representatives before you use our products for applications including automobiles, medical equipment and aerospace equipment. Malfunction or failure of the products in such applications may cause loss of human life or serious damage.

Specifications given herein may be changed at any time without prior notice. Please confirm technical specifications before you order/use.

## X-ON Electronics

Largest Supplier of Electrical and Electronic Components

*Click to view similar products for [Thick Film Resistors - SMD category](#):*

*Click to view products by [KOA Speer manufacturer](#):*

Other Similar products are found below :

[CR-05FL7--19K6](#) [CR-05FL7--243R](#) [CR-05FL7--40K2](#) [CR-12JP4--680R](#) [CRCW04021K20FKEE](#) [CRCW06036K80FKEE](#)  
[M55342K06B309DRS3](#) [M55342K06B6E81RS3](#) [M55342K08B100DRWB](#) [M55342M05B200DRWB](#) [M55342M06B26E7RS3](#) [MC0603-511-](#)  
[JTW](#) [742C083750JTR](#) [MCR01MZPF1202](#) [MCR01MZPF1601](#) [MCR01MZPF1800](#) [MCR01MZPF6201](#) [MCR01MZPF9102](#) [MCR01MZPJ113](#)  
[MCR01MZPJ121](#) [MCR01MZPJ125](#) [MCR01MZPJ203](#) [MCR01MZPJ751](#) [MCR01MZPJ822](#) [MCR03EZHJ103](#) [MCR03EZPFX1272](#)  
[MCR03EZPJ123](#) [MCR03EZPJ270](#) [MCR03EZPJ821](#) [MCR10EZPF1102](#) [MCR10EZPF2003](#) [MCR10EZPF2700](#) [MCR18EZPJ330](#)  
[RC0603F1473CS](#) [RC0603F150CS](#) [RC1005F1152CS](#) [RC1005F1182CS](#) [RC1005F1372CS](#) [RC1005F183CS](#) [RC1005F1911CS](#)  
[RC1005F1912CS](#) [RC1005F203CS](#) [RC1005F2052CS](#) [RC1005F241CS](#) [RC1005F2431CS](#) [RC1005F3011CS](#) [RC1005F303CS](#)  
[RC1005F4321CS](#) [RC1005F4642CS](#) [RC1005F471CS](#)