

features

- Expanded flexibility of component layout
- Relative precision of pair resistors are guaranteed
- TCR tracking down to 5ppm/°C

ordering information

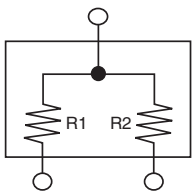
RTY	S03	T	TE	7516
Circuit Code	Package Symbol	Termination Material	Packaging	Custom Code
RTY: SOT-23 Resistor network	Package type symbol + number of pins	T: Sn (L: Sn/Pb)	TE: 7" embossed plastic	

ratings

Product Code	T.C.R.	Resistance Range (Ω) (E24) and Resistance Tolerance					Relative Resist. Tol.	TCR Tracking
		B: $\pm 0.1\%$	C: $\pm 0.25\%$	D: $\pm 0.5\%$	F: $\pm 1\%$	G: $\pm 2\%$, J: $\pm 5\%$		
RTY	T: ± 10	1k Ω ~ 40k Ω	1k Ω ~ 40k Ω	1k Ω ~ 40k Ω	1k Ω ~ 40k Ω	1k Ω ~ 40k Ω	0.05%, 0.1%, 0.25%, 0.5%, 1%, 2%	5, 10, 25, 50
	E: ± 25	1k Ω ~ 150k Ω	1k Ω ~ 150k Ω	100 Ω ~ 150k Ω	100 Ω ~ 150k Ω	100 Ω ~ 150k Ω		
	C: ± 50			51 Ω ~ 200k Ω	51 Ω ~ 200k Ω	51 Ω ~ 200k Ω		
	H: ± 100			30 Ω ~ 200k Ω	30 Ω ~ 200k Ω	30 Ω ~ 200k Ω		

Please ask about your custom devices and circuits. (Different resistance combination available) Depending on the circuit and package, much higher resistances are possible. For RIA20, 24 pin, highest resistance value/element is up to 100k Ω .

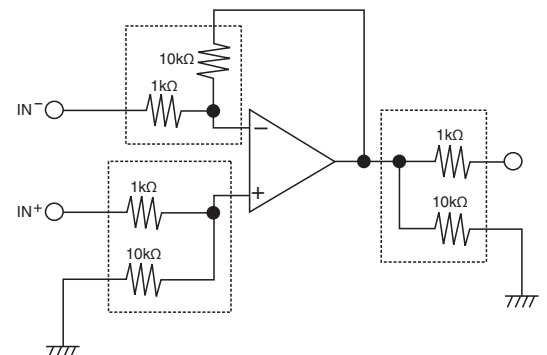
circuit schematic



ratings

Package Symbol	Package	Number of Pins	Package Power Rating (W)
S03	SOT-23	3	0.2

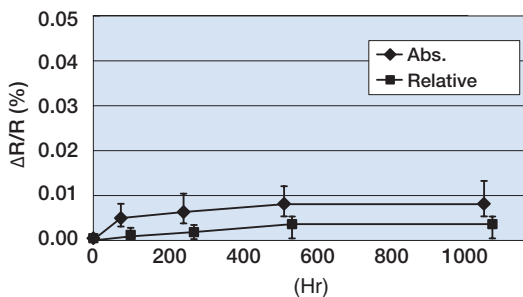
example of application



typical characteristics

Endurance at 70°C (Typical: 1k Ω , 8 resistors/package)

Endurance at 70°C



Specifications given herein may be changed at any time without prior notice. Please confirm technical specifications before you order and/or use.

1/30/20

X-ON Electronics

Largest Supplier of Electrical and Electronic Components

Click to view similar products for [Resistor Networks & Arrays](#) category:

Click to view products by [KOA Speer](#) manufacturer:

Other Similar products are found below :

[CSC06A0122K0GEJ](#) [M8340105K1002FGD03](#) [M8340105M4700JGD03](#) [M8340106M2002GCD03](#) [M8340107K1471FGD03](#)
[M8340107K2002GCD03](#) [M8340107K2261FGD03](#) [M8340107M1501GGD03](#) [M8340108K1001FCD03](#) [M8340108K1003FCD03](#)
[M8340108K3240FGD03](#) [M8340108K3242FGD03](#) [M8340108K3322FCD03](#) [M8340108K3743FGD03](#) [M8340108K4991FGD03](#)
[M8340109K4700GGD03](#) [M8340109M4701GCD03](#) [M8340109MA010GHD03](#) [EXB-24N121JX](#) [EXB-24N330JX](#) [EXB-24N470JX](#)
[744C083101JTR](#) [EXB-U14360JX](#) [EXB-U18240JX](#) [744C083270JTR](#) [745C102472JP](#) [745X101103JP](#) [767161104G](#) [MDP1603100KGE04](#)
[770101223](#) [MNR04M0APJ471](#) [MNR14E0APJ100](#) [MNR18E0APJ102](#) [MNR18E0APJ680](#) [ACAS06S0830339P100](#) [ACAS06S0830343P100](#)
[ACAS06S0830344P100](#) [RAVF164DJT68K0](#) [RM2012A-102/104-PBVW10](#) [RM2012A-102503-PBVW10](#) [RM2012A-502104-PBVW10](#)
[NRSN04I4J220TRF](#) [NRSN06I4J330TRF](#) [NRSNA4I4J330TRF](#) [8B472TR4](#) [ACAS06S0830341P100](#) [ACAS06S0830342P100](#)
[ACAS06S0830345P100](#) [EXB-18N390JX](#) [EXB-U14220JX](#)