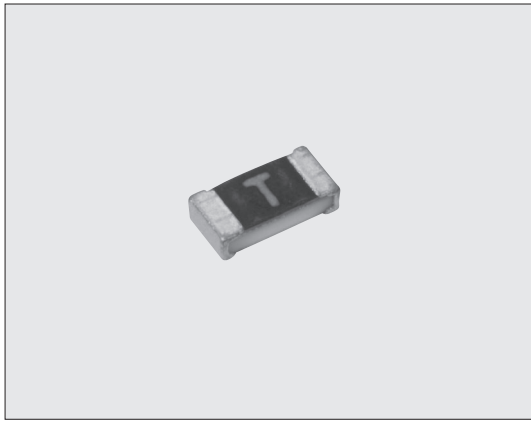


TF16AT 片式保险丝 (耐脉冲) Chip Current Fuses (Anti Pulse)



外观颜色：黑色 Coating color：Black

特点 Features

- 是小型、轻量的二次电路用片状电流保险丝。
- 冲击耐受电压性优异。
- 根据独特的结构、制作方法，熔断特性稳定。
- 可以把占有面积缩小。
- 内部电阻值非常低，电压降低，可以减少功率消耗。
- 适用于小型电子设备的电路配件过电流保护。
- 对应回流焊、波峰焊。
- 符合欧盟RoHS。
- Small and light chip current fuses for the secondary circuit.
- Excellent in anti-pulse characteristics.
- Original construction and manufacturing method stabilize fusing characteristics.
- Able to reduce an occupied area.
- Low power consumption and less voltage dropping due to exceedingly low internal resistance.
- Suitable for overcurrent protection of circuit block in small electronic devices.
- Suitable for both flow and reflow solderings.
- Products meet EU-RoHS requirements.

取得规格 Approvals Awarded

UL248.14 认定文件号 File No. E131375
c-UL (CSA) C22.2 No.248.14
认定文件号 File No. E131375

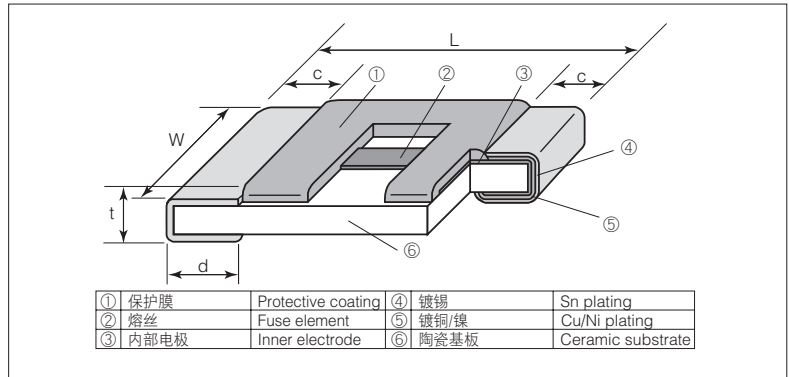
用途 Applications

- 笔记本电脑 Notebook personal computers
- HDD HDDs
- 手机 Cellular-telephones
- 数码相机 Digital still cameras

额定值 Ratings

型号 Type	表示 Marking	额定电流 Rated Current	熔断时间 Fusing Time	内部电阻值 Internal R. (mΩ) Max.	额定电压 Rated Voltage	额定环境温度 Rated Ambient Temp.	使用温度范围 Operating Temperature Range	编带和包装数/卷 Taping & Q'ty/Reel (pcs)
TF16AT0.25	C	0.25A	施加额定电流的200%的电流时，在5秒钟以内。参照熔断特性图。 Open within 5 s at 200% rated current. Refer to the graph of fusing characteristics.	498	32V	+70°C	-55~+125°C	5,000
TF16AT0.315	D	0.315A		384				
TF16AT0.50	F	0.50A		198				
TF16AT0.63	I	0.63A		143				
TF16AT0.80	K	0.80A		120				
TF16AT1.00	L	1.00A		94				
TF16AT1.25	M	1.25A		73				
TF16AT1.60	N	1.60A		59				
TF16AT2.00	S	2.00A		42				
TF16AT2.50	T	2.50A		32				
TF16AT3.15	U	3.15A		24				
TF16AT4.00	X	4.00A		17				
TF16AT5.00	Y	5.00A	14					

结构图 Construction



外形尺寸 Dimensions

型号 Type (Inch Size Code)	尺寸 Dimensions (mm)					Weight (g) (1000pcs)
	L	W	c	d	t	
TF16AT (0603)	1.6±0.1	0.8±0.08	0.3±0.1	0.3±0.1	0.45±0.05	2.15

品名构成 Type Designation

实例 Example

TF	16A	T	2.50	T	TD
品种 Product Code	尺寸 Size 16A: 1.6x0.8mm	熔断特性 Fusing Characteristics T:耐脉冲 T:Anti-pulse	额定电流 Rated Current	端子表面材质 Terminal Surface Material T: Sn	二次加工 Taping TD:4mm pitch punch paper BK: Bulk

欲知关于此产品含有的环境负荷物质详情(除EU-RoHS以外)，请与我们联系。
编带细节请参考卷末附录C。

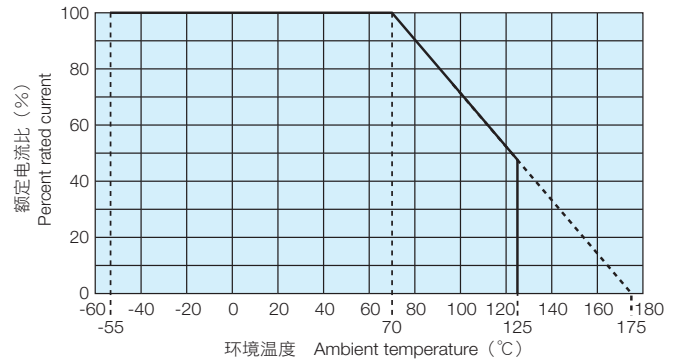
Contact us when you have control request for environmental hazardous material other than the substance specified by EU-RoHS.

For further information on taping, please refer to APPENDIX C on the back pages.

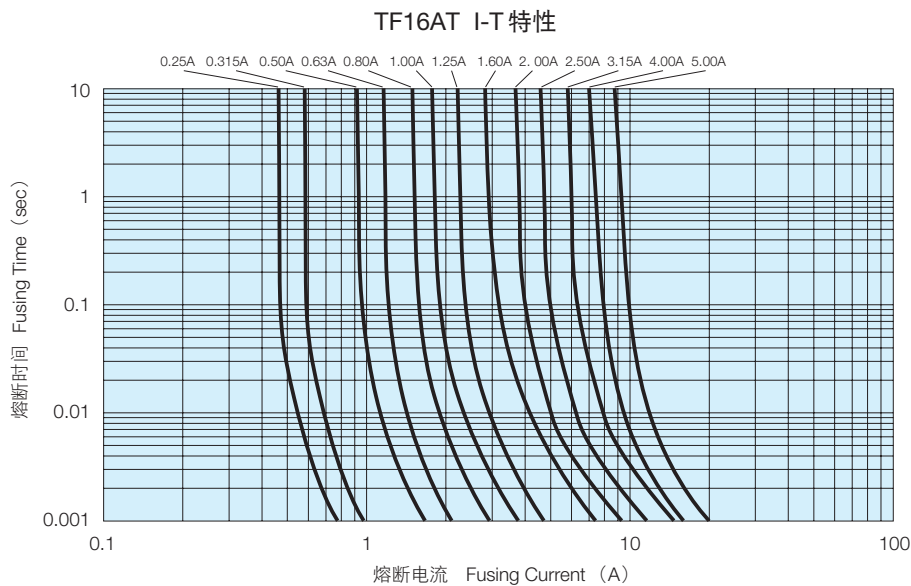
■ 降低额定值 Derating

- 稳恒电流
稳恒电流在重复脉冲时，稳恒电流波形的峰值是恒稳电流值。
- 通常降低额定值
本产品的通常降低额定值作为标准应在0.75以下。
- 降低温度
在环境温度70℃以上使用时，需要校正温度，请参考右图的降低系数。
- Stationary current
Regard the peak of stationary current waveform as stationary current value when the stationary current is repeated pulse.
- Normal derating
Normal derating of this product should be 0.75max. as standards.
- Temperature Derating
Rated Current needs to be derated if used at an ambient temperature of 70℃ or more. Refer to the derating coefficient on the right figure.

■ 根据环境温度减轻额定电流 Rated Current Derating



■ 熔断特性 Fusing Characteristics (标准熔断时间 Average Fusing Time)



■ 性能 Performance

试验项目 Test Items	标准值 Performance Requirements ΔR ±%		试验方法 Test Methods
	保证值 Limit	代表值 Typical	
熔断特性 Fusing characteristics	5秒以内 Within 5s.	-	施加额定电流的200%的电流。(at 25℃) 200% of rated current shall be carried. (at 25℃)
电极强度 Bending test	应当没有电极剥离、导通断线等异常。 No mechanical damages.	-	支持点间隔90mm，弯曲宽度3mm，一次。 Distance between holding points 90mm, bending width 3mm, 1time.
耐焊接热 Resistance to soldering heat	10	5	260℃ ± 5℃, 10s ± 0.5s
焊接性 Solderability	应有95%以上的新焊锡覆盖。 95% coverage min.	-	245℃ ± 3℃, 3s ± 0.5s
通电寿命 Load life	10	5	70℃ ± 2℃, 1000h, 额定电流 × 75%, 1.5小时ON/0.5小时OFF的周期。 Rated current × 75%, 1.5h ON/0.5h OFF cycle
耐湿通电寿命 Load life moisture	10	5	40℃ ± 2℃, 90%~95%RH, 1000小时, 额定电流 × 75%, 1.5小时ON/0.5小时OFF的周期。 Rated current × 75%, 1.5h ON/0.5h OFF cycle
温度突变 Rapid change of temperature	10	5	-55℃ (30min) / +125℃ (30min) 10 cycles
耐溶剂性 Resistance to solvent	外观上应无标示消失等异常。 No evidence of damages to protective coating and marking.	-	依据MIL-STD-202F Conforming to MIL-STD-202F
残留电阻值 Residual resistance	10KΩ以上 10kΩ or more	-	熔断后的直流电阻值。 Measure DC resistance after fusing

■ 使用上的注意

- 为能有保险丝特性，本产品的构造是以特殊树脂保护熔丝。安装元件时，请调整喷嘴的下死点等，不要对产品施加过度应力。施加过度应力使产品受损时，产品有可能会特性劣化、断线。
- 选定保险丝时，请与本目录内的「保险丝的使用注意事项」一起确认。
- The substrate material of TF10BN applies ceramics to achieve good fusing characteristics. Please keep away from oxygen gas/liquid because such environment may deteriorate element strength and the performance by glass component corrosion.
- When you select fuse product, please make sure to confirm "Precautions for Use of Fusing Components" in this catalogue and ask KOA sales.

X-ON Electronics

Largest Supplier of Electrical and Electronic Components

Click to view similar products for [Surface Mount Fuses](#) category:

Click to view products by [KOA Speer](#) manufacturer:

Other Similar products are found below :

[FHC20402ADTP](#) [NFVC6125S0R50TRF](#) [SFT-125MA](#) [TF16SN2.00TTD](#) [FCC16501ABTP](#) [FCC16102ABTP](#) [FHC16322ADTP](#) [0308.250UR](#)
[0308.375UR](#) [0308.750UR](#) [0308001.UR](#) [030801.5UR](#) [F0603G0R03FNTR](#) [SKY87604-12](#) [SKY87604-11](#) [SKY87604-13](#) [R451003.L](#)
[R451.500L](#) [R451001.L](#) [3-103-119](#) [3-103-123](#) [ABB-A 25A 500V](#) [SGB401](#) [SGB075](#) [0154002.DRL](#) [0154008.DRL](#) [0154.500DRL](#)
[189140.1,25](#) [189140.0,4](#) [189140.0,63](#) [189140.0,25](#) [0402FA-R200](#) [0402SFF150F/24-2](#) [0435.250KRHFS](#) [0468003.WR](#) [0494001.NRHF](#)
[0494002.NRHF](#) [0494003.NRHF](#) [049402.5NRHF](#) [049403.5NRHF](#) [0494.250NRHF](#) [0494.375NRHF](#) [0494.500NRHF](#) [CF06V3T1R60](#)
[CF06V3T2R50](#) [06H1300D](#) [JFC0603-1200FS](#) [CP06V3T2R0](#) [06F-0200L1](#) [06F-0500L1](#)