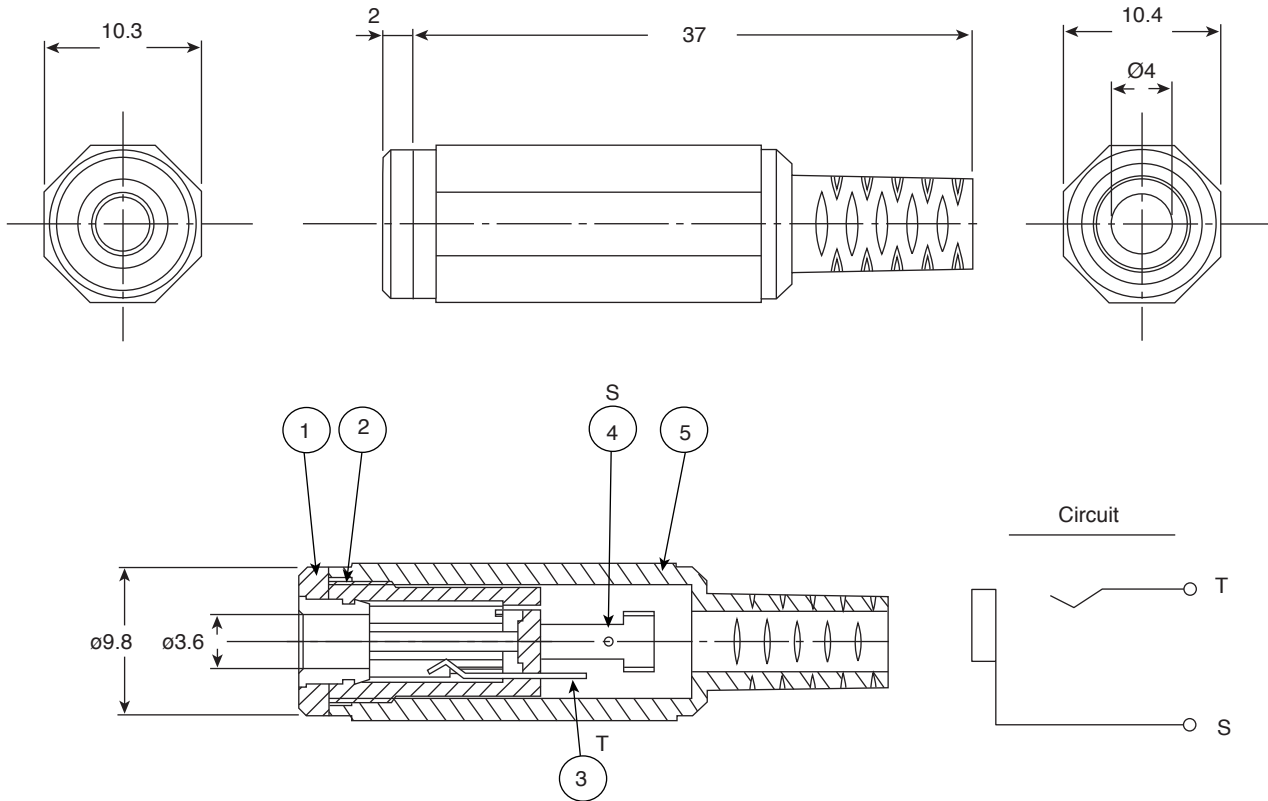


# Jack

## 16PJ225N-EX



Jack



DIMENSIONS: mm

SPECIFICATIONS	
<b>Dielectric Strength:</b>	500V AC for 1 Min.
<b>Contact Resistance:</b>	50mΩ Max.
<b>Insulation Resistance:</b>	100mΩ Min. at 500V DC
RoHS Compliant by Exemption	

Pin Configurations	
<b>Sleeve (1):</b>	BSBM, Ni Finish
<b>Housing (2):</b>	PA
<b>Contact A (3):</b>	BSR t = 0.3, Ni Finish
<b>Contact B (4):</b>	PBS t = 0.25, Ni Finish
<b>Cap (5):</b>	PE

Date Last Revised: 09-12-16

Available from Mouser Electronics  
1-800-346-6873 / [www.mouser.com](http://www.mouser.com)

KC-301445

16PJ225N-EX

# X-ON Electronics

Authorized Distributor

*Click to view similar products for [Phone Connectors](#) category:*

*Click to view products by [Kobiconn](#) manufacturer:*

Other Similar products are found below :

[M55116/2-2](#) [KPAL01H515J](#) [KPS200-282DAK](#) [91MC3F1](#) [M55116/12-4](#) [TJSS-104](#) [TJSS-104HC](#) [LRMXSK-24DE5](#) [MT334BX](#) [NMJ4HF-S](#) [SN49B12A](#) [FW-20-04-G-D-380-125](#)  
[M55116/12-1](#) [MKP10H627G-C](#) [MKP10H647G-C](#) [KPAL01H347J](#) [KPAL01H368J](#)  
[KPAL01H468J](#) [KPAL01H530J](#) [KPAL02H418J](#) [KPAL02H422J](#) [KPAL02H447J](#)  
[KPAL02H510J](#) [KPAL02H515J](#) [KPCU01H347J](#)