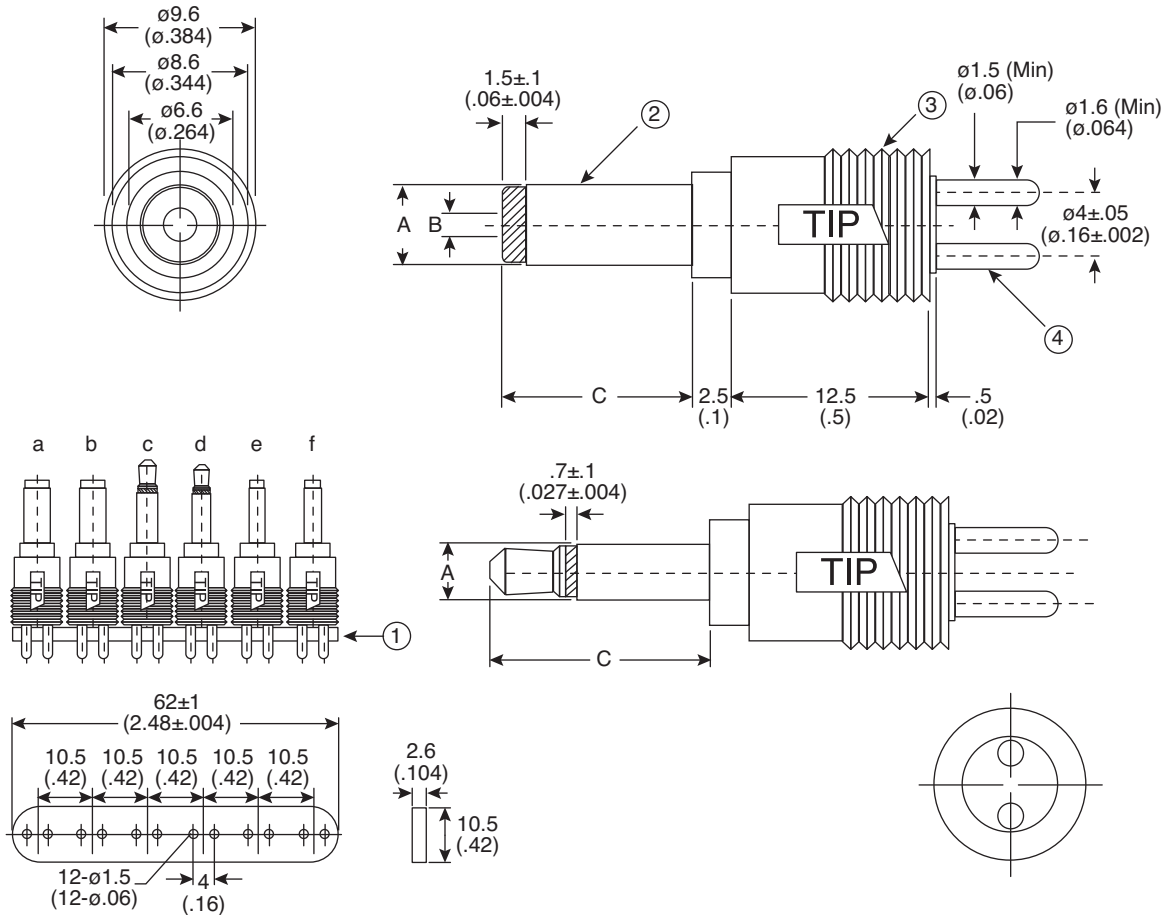


6 Piece Straight Adapter Plugs

173-TIP-1EDAC-2-EX



6 Piece Straight Adapter Plugs



Dimensions: mm (in.)

| | Part No. | A | B | C |
|---|----------------|------------|-------------|------------|
| a | 173-4017-ST-EX | ø4.0 (.16) | 1.7 (.68) | 9.5 (.38) |
| b | 173-3413-ST-EX | ø3.4 (.13) | 1.3 (.05) | 11.0 (.43) |
| c | 173-25MP-ST-EX | ø2.5 (.09) | --- | 11.0 (.43) |
| d | 173-35MP-ST-EX | ø3.5 (.14) | --- | 14.0 (.13) |
| e | 173-5521-ST-EX | ø5.5 (.22) | ø2.1 (.084) | 12 (.48) |
| f | 173-5525-ST-EX | ø5.5 (.22) | ø2.5 (.1) | 12 (.48) |

| No. | Material | Plating |
|-----------------------------|-----------|---------|
| 1 | PVC Black | --- |
| 2 | Brass | Nickel |
| 3 | ABS Black | --- |
| 4 | Brass | Nickel |
| RoHS compliant by exemption | | |

Date Last Revised: 2/3/09

Available from Mouser Electronics
1-800-346-6873 / www.mouser.com

KC-301337

Specifications are subject to change without notice. No liability or warranty implied by this information. Environmental compliance based on producer documentation.

173-TIP-1EDAC-2-EX

X-ON Electronics

Authorized Distributor

Click to view similar products for [DC Power Connectors](#) category:

Click to view products by [Kobiconn](#) manufacturer:

Other Similar products are found below :

[1130-0103-01](#) [694001](#) [1130-0102-02](#) [1130-0102-04](#) [163-0210-E](#) [171-0722-E](#) [171-2122-EX](#)

[173-3413-ST-EX](#) [17PP200-EX](#) [1130-0113-03](#) [1130-0201-06](#) [1130-0211-04](#) [1130-0211-06](#)

[1130-0221-04](#) [163-5005-E](#) [171-0725-EX](#) [171-3118-EX](#) [171-3221-EX](#) [171-3222-EX](#)

[16PJ101-EX](#) [1710-2522](#) [171-3218-EX](#) [1130-0100-05](#) [1130-0110-01](#) [1130-0111-03](#)