

ACMA Series
Common Mode Filters For Automotive Signal Line
Size 4532



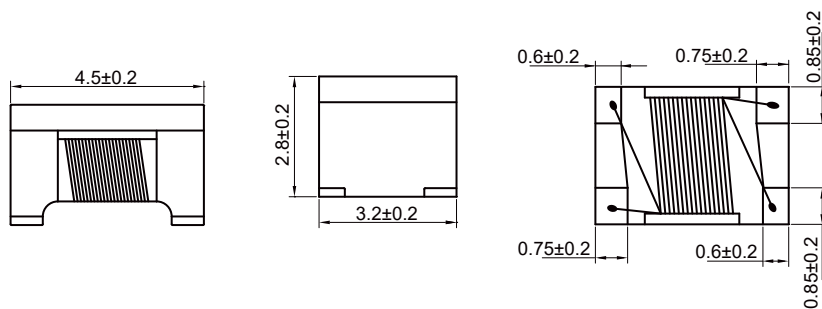
FEATURES

- Compact products, whose characteristics are equivalent to that of conventional products
- Common mode filters for Signal Line
- Operating temperature range: -55 to +150°C
- Compliant with AEC-Q200
- Quantity: 500pcs

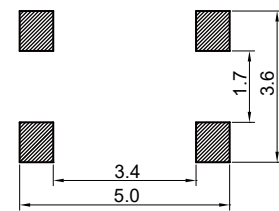
APPLICATION

- CAN-BUS, FlexRay system

Dimensions: [mm]



Land Pattern: [mm]

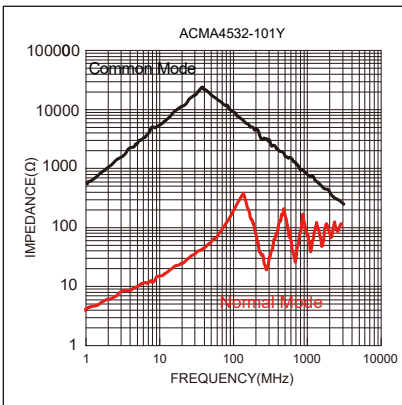
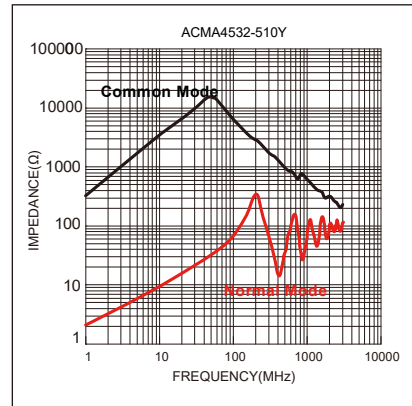
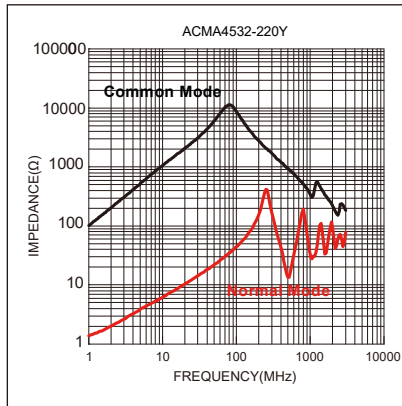
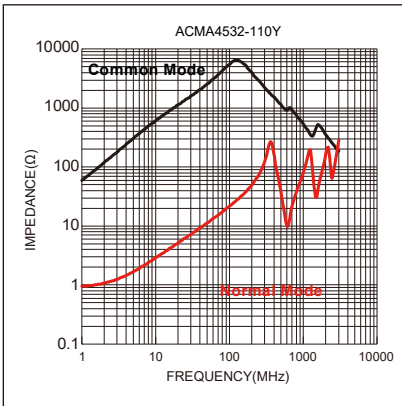


Electrical Properties:

| Part No | Z @ 10 MHz Min. (Ω) | Z @ 10 MHz Typ. (Ω) | L @ 100kHz/0.1V +50%/-30% (μH) | I _r Max. (mA) | R _{DC} Max. (Ω) | V _{DC} (Volts) | IR (MΩ) |
|---------------|---------------------------|---------------------------|--------------------------------------|--------------------------------|--------------------------------|----------------------------|------------|
| ACMA4532-110Y | 300 | 600 | 11 | 360 | 0.6 | 50 | 10 |
| ACMA4532-220Y | 500 | 1200 | 22 | 310 | 1.0 | 50 | 10 |
| ACMA4532-510Y | 1000 | 2800 | 51 | 230 | 1.0 | 50 | 10 |
| ACMA4532-101Y | 2000 | 5800 | 100 | 200 | 2.0 | 50 | 10 |

I_r referring to 20K self-heating above ambient temperature

Typical Electrical Characteristics:



X-ON Electronics

Largest Supplier of Electrical and Electronic Components

Click to view similar products for [Common Mode Chokes / Filters](#) category:

Click to view products by [KOHER](#) manufacturer:

Other Similar products are found below :

[PE-64683](#) [RD5122-6-9M6](#) [ST6118T-R](#) [FE3X025-10-7NL](#) [T8114NLT](#) [TCM0806G-350-2P-T](#) [TCM0806G-650-2P-T](#) [IND-0110](#)
[UAL21VR0802000](#) [UALSC023000000](#) [UALSC1020JH000](#) [UALSU10VD20010](#) [UALSU9VD070100](#) [36-00037](#) [CM7060M132R-10](#)
[UALW21HS072450](#) [UALSU9H0208000](#) [UAL24VK06450CH](#) [PLT10HH501100PNB](#) [PLT10HH401100PNB](#) [PLT10HH1026R0PNB](#) [36-](#)
[00029-01](#) [PE-67531](#) [TLH10UB](#) [113 OR5](#) [2752045447](#) [CM8663Z161B-10](#) [7351V](#) [CMF16-153131](#) [T8116NLT](#) [CMS2-10-R](#) [FE2X10-4-2NL](#)
[T8003NLT](#) [CTX01-13663](#) [CTX66-19521-R](#) [RC212-0.5-10M](#) [RC112-0.4-15M](#) [RC212-0.6-6M8](#) [RC212-0.4-15M](#) [RC112-0.3-30M](#) [4534-3](#)
[WTCF2012Z0M751PB](#) [PH9408.814NLT](#) [B82498B3221J000](#) [PAC6006.364NLT](#) [PAC6006.444NLT](#) [PAC6006.204NLT](#) [PH9407.204NLT](#)
[PAC6006.264NLT](#) [PH9408.105NLT](#) [PH9408.494NLT](#)