

ACMA Series
Common Mode Filters For Automotive Signal Line
Size 4532



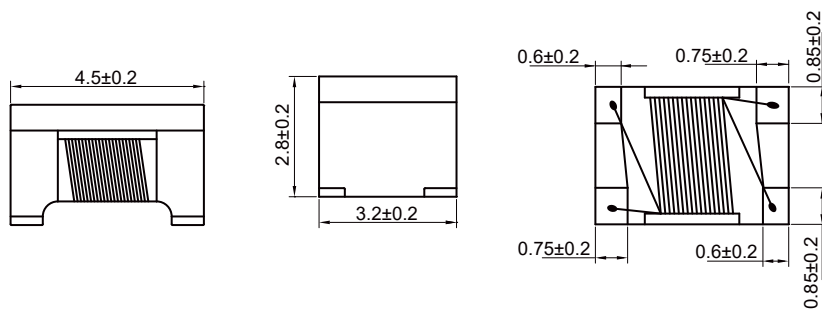
FEATURES

- Compact products, whose characteristics are equivalent to that of conventional products
- Common mode filters for Signal Line
- Operating temperature range: -55 to +150°C
- Compliant with AEC-Q200
- Quantity: 500pcs

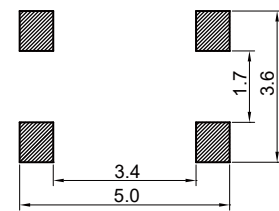
APPLICATION

- CAN-BUS, FlexRay system

Dimensions: [mm]



Land Pattern: [mm]

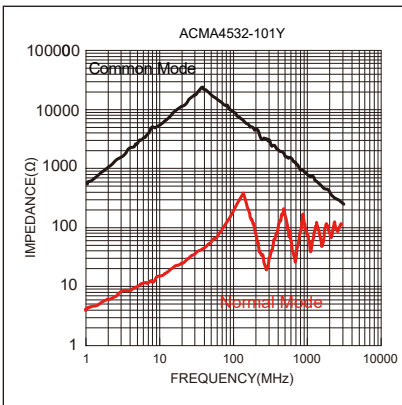
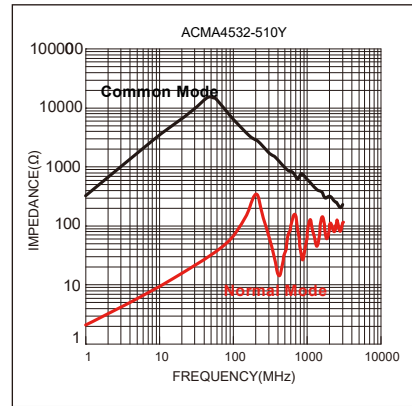
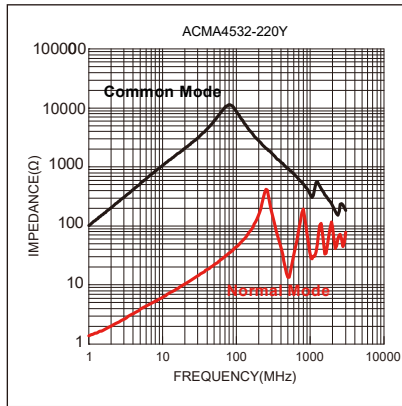
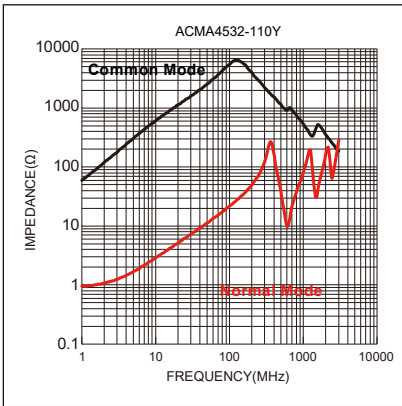


Electrical Properties:

Part No	Z @ 10 MHz Min. (Ω)	Z @ 10 MHz Typ. (Ω)	L @ 100kHz/0.1V +50%/-30% (μH)	I _r Max. (mA)	R _{DC} Max. (Ω)	V _{DC} (Volts)	IR (MΩ)
ACMA4532-110Y	300	600	11	360	0.6	50	10
ACMA4532-220Y	500	1200	22	310	1.0	50	10
ACMA4532-510Y	1000	2800	51	230	1.0	50	10
ACMA4532-101Y	2000	5800	100	200	2.0	50	10

I_r referring to 20K self-heating above ambient temperature

Typical Electrical Characteristics:



X-ON Electronics

Largest Supplier of Electrical and Electronic Components

Click to view similar products for [Common Mode Chokes / Filters](#) category:

Click to view products by [KOHER](#) manufacturer:

Other Similar products are found below :

[74279408](#) [PE-62911NL](#) [PE-64683](#) [RD5122-6-9M6](#) [RGCMF1210900H3T](#) [ST6118T-R](#) [FE3X025-10-7NL](#) [T8114NLT](#) [RD5122-10-6M0](#)
[TCM0806G-350-2P-T](#) [TCM0806G-650-2P-T](#) [IND-0110](#) [UAL21VR0802000](#) [UALSC023000000](#) [UALSC1020JH000](#) [UALSC1520JH000](#)
[UALSU10VR15019](#) [UALSU9VD070100](#) [36-00037](#) [5701610000](#) [UALW21HS200290](#) [UALW21HS072450](#) [UALSU9HF050500](#)
[UALSU9H0208000](#) [UAL24VK06450CH](#) [PLT10HH501100PNB](#) [PLT10HH401100PNB](#) [PLT10HH1026R0PNB](#) [PE-67531](#) [TLH10UB 113](#)
[OR5](#) [2752045447](#) [CMS3-11-R](#) [7351V](#) [7408-RC](#) [CMF16-153131](#) [744252510](#) [T8116NLT](#) [CMS2-10-R](#) [DLW44SN101SK2L](#) [FE2X10-4-2NL](#)
[744253200](#) [744253101](#) [744252220](#) [TX8111NLT](#) [UAL30VR3500470](#) [CTX01-19077-R](#) [T8003NLT](#) [CTX01-13663](#) [CTX66-19521-R](#)
[7446630047](#)