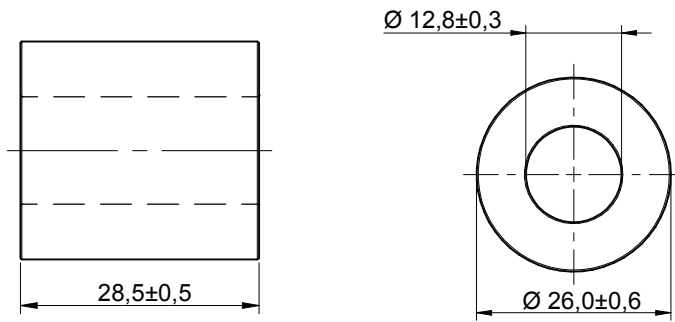
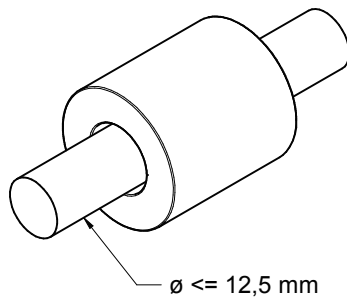


Dimensions: [mm]



Applicable Cable Diameter: [mm]




Electrical Properties:

Properties	Z@1MHz 1Turn (Ω)	Z@10MHz 1Turn (Ω)
Value	90	50
Tolerance	±25%	±25%
Test Condition	1MHz	10MHz

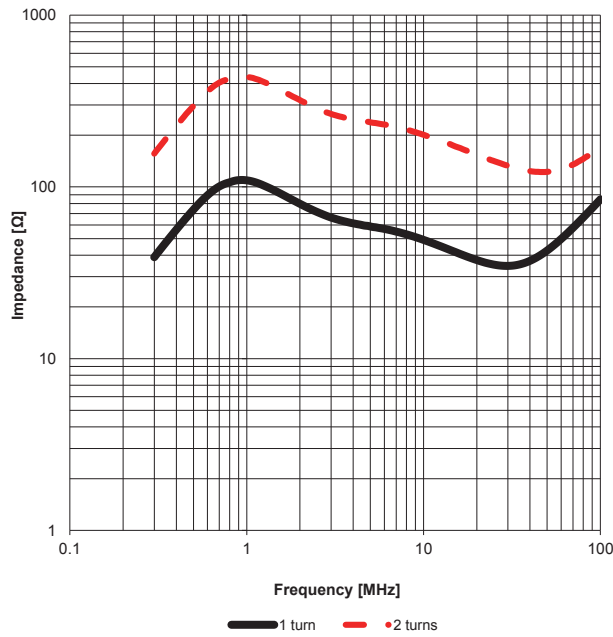
General Information:


Test conditions of Electrical Properties: 20°C, 33%RH
 Operating Temperature: -25°C to +125°C
 Storage Temperature(in original packaging): -20°C to +60°C

				UNIT: MM	 KOHER (Shanghai) Electronic Co.,Ltd
				SCALE:	
				SHEET: 1/2	
				APPROVAL: WSD	
				SIZE:	DESCRIPTION: Low Frequency Axial Ferrite Bead
A	04-JUL-18	PDF	XL	PACKING UNIT: 88 pcs	PART NO: AFBR132729LF-12
REV	DATE	FILE	BY		

Typical Electrical Characteristics:

Impedance VS. Frequency Characteristics:



				UNIT: MM	 KOHER (Shanghai) Electronic Co.,Ltd
				SCALE:	
				SHEET: 2/2	
				APPROVAL: WSD	
				SIZE:	DESCRIPTION: Low Frequency Axial Ferrite Bead
A	04-JUL-18	PDF	XL	PACKING UNIT: 88 pcs	PART NO: AFBR132729LF-12
REV	DATE	FILE	BY		

X-ON Electronics

Largest Supplier of Electrical and Electronic Components

Click to view similar products for [Ferrite Toroids / Ferrite Rings](#) category:

Click to view products by [KOHER](#) manufacturer:

Other Similar products are found below :

[432202094771](#) [432202130672](#) [4327 018 35221](#) [432703013571](#) [432703057191](#) [4327 030 57111](#) [5343232001](#) [5977004801](#) [5976000201](#)
[XRRH3.5*3.2*1.6](#) [XRRH4*2*2](#) [XRRH3.5*6*1.0](#) [XRRH3.5*6*1.5](#) [XRRH3.5*3.5*1.8](#) [XRR4*12](#) [XRRH6*3*3](#) [XRRH3.5*4*1.0](#) [XRR3*12](#)
[XRRH3.5*9*1.0](#) [XRRH3.5*5*1.8](#) [XRR4*10](#) [XRRH3.5*9.0*1.5](#) [XRRH3.5*3.5*1.5](#) [XRRH3.5*5*1.5](#) [XRRH3.5*2*1.8](#) [XRRH3.5*3*1.5](#)
[XRRH4*6*2](#) [XRRH3.5*3*1.8](#) [F9-BP RH 3.5*6*1.5](#) [F9-BP T 3.5*3*1.5](#) [F9-BP RH 3.5*4*1.5](#) [XRR4*20](#) [XRRH4*10*2](#) [XRRH5*3*3](#) [F9-BP](#)
[RH 3.5*9*1.5](#) [XRRH9.5*19.5*5](#) [XRRH7.8*12.7*4.5](#) [XRRH12*15*7.2](#) [XRRH9*16*5](#) [XRRH12*20*6.5](#) [XRR6*25](#) [XRR8*20](#)
[XRRH14.2*20*8](#) [XRRH14.2*28.5*6.35](#) [XRR8*30](#) [XRRH10.5*20*5.5](#) [XRRH10.5*20*6.5](#) [XRFS23.5*6.5*19.5*15-1.4](#) [XRR10*10](#)
[XRRH9.5*12.5*5](#)