

BCMA Series
Common Mode Filters For Automotive Power Line
Size 9070



FEATURES

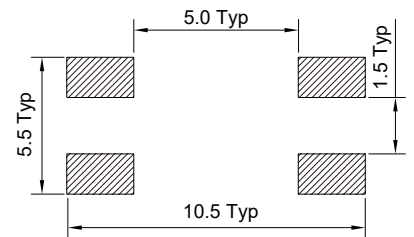
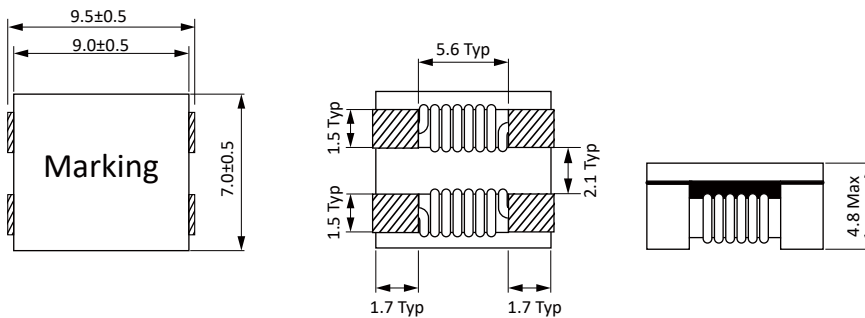
- Exclusive square type closed magnetic core designed as an exclusive core is used, so it can be small while maintaining the same features.
- Low profile design makes it optimal for surface mounting.
- Excellent impedance characteristics, making it great for suppressing common mode noise.
- Maximum 15A can be used in 125°C environments.
- Operating temperature range: -40 to +125°C
- AEC-Q200 qualified
- Quantity: 800pcs

APPLICATIONS

- Measures against common mode noise in power lines for various DC power lines, multimedia devices, and various electronic devices

Dimensions: [mm]


Land Pattern: [mm]



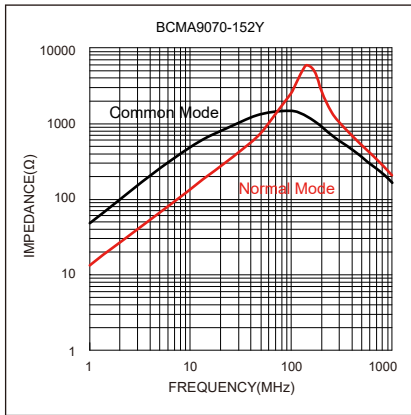
Electrical Properties:

Part No	Impedance Min. (Ω)	Impedance Typ. (Ω)	Test Frequency @0.1V	I _R Max. (A)	R _{DC} Max. (mΩ)	V _{DC} Max. (Volts)	IR Min. (MΩ)
BCMA9070-152Y	1000	1500	100MHz	4.5	15	80	10

Temperature Rise Current: The actual value of DC current when the temperature rise is $\Delta T=40^{\circ}\text{C}$

				UNIT: MM	 KOHER (Shanghai) Electronic Co.,Ltd
				SHEET: 1/2	
				APPROVAL: XC	
A0	19-MAY-23	PDF	WL	SIZE: A4	DESCRIPTION: SMD Low Profile High Current Molded Inductor
REV	DATE	FILE	BY	PACKING UNIT: 800 pcs	PART NO: BCMA9070-152Y

Typical Electrical Characteristics:



				UNIT: MM	KOHERelec KOHER (Shanghai) Electronic Co.,Ltd
				SHEET: 2/2	
				APPROVAL: XC	
A0	19-MAY-23	PDF	WL	SIZE: A4	DESCRIPTION: SMD Low Profile High Current Molded Inductor
REV	DATE	FILE	BY	PACKING UNIT: 800 pcs	PART NO: BCMA9070-152Y

X-ON Electronics

Largest Supplier of Electrical and Electronic Components

Click to view similar products for [Common Mode Chokes / Filters](#) category:

Click to view products by [KOHER](#) manufacturer:

Other Similar products are found below :

[PE-64683](#) [ST6118T-R](#) [FE3X025-10-7NL](#) [T8114NLT](#) [TCM0806G-350-2P-T](#) [TCM0806G-650-2P-T](#) [IND-0110](#) [UAL21VR0802000](#)
[UALSC023000000](#) [UALSC1020JH000](#) [UALSU10VD20010](#) [UALSU9VD070100](#) [36-00037](#) [CM7060M132R-10](#) [UALW21HS072450](#)
[UALSU9H0208000](#) [UAL24VK06450CH](#) [PLT10HH501100PNB](#) [PLT10HH401100PNB](#) [PLT10HH1026R0PNB](#) [36-00029-01](#) [PE-67531](#)
[TLH10UB](#) [113 0R5](#) [2752045447](#) [CM8663Z161B-10](#) [7351V](#) [CMF16-153131](#) [T8116NLT](#) [CMS2-10-R](#) [FE2X10-4-2NL](#) [T8003NLT](#) [CTX01-](#)
[13663](#) [CTX66-19521-R](#) [RC212-0.5-10M](#) [RC112-0.4-15M](#) [RC212-0.6-6M8](#) [RC212-0.4-15M](#) [RC112-0.3-30M](#) [4534-3](#)
[WTCF2012Z0M751PB](#) [PH9408.814NLT](#) [B82498B3221J000](#) [PAC6006.364NLT](#) [PAC6006.444NLT](#) [PAC6006.204NLT](#) [PH9407.204NLT](#)
[PAC6006.264NLT](#) [PH9408.105NLT](#) [PH9408.494NLT](#) [PAC6006.104NLT](#)