

NRSC Series
SMD Shielded Tiny Power Inductor
Size 4030



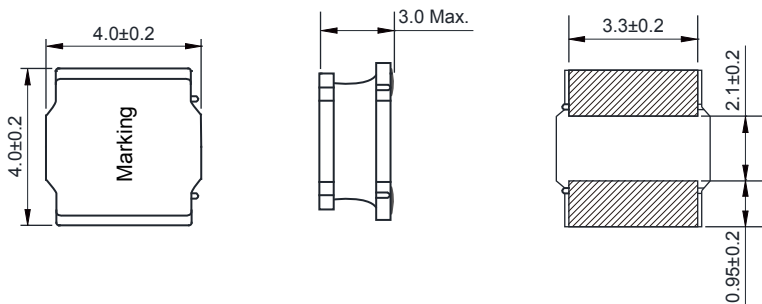
Features:

- Magnetic-resin shielded construction reduces buzz noise to ultra-low levels
- Metallization on ferrite core results in excellent shock resistance and damage-free durability
- Closed magnetic circuit design reduces leakage flux and Electro Magnetic Interference (EMI)
- 30% higher current rating than conventional inductors of equal size
- Takes up less PCB real estate and save more power
- Quantity: 2000 pcs

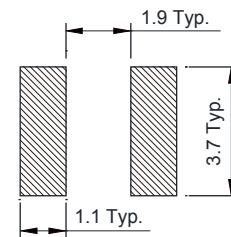
Application:

- LED Lighting
- Next-generation mobile devices with multifunction such as mobile TV and digital movie cameras
- Flat-screen TVs, blue-ray disc recorders, set top box
- Notebooks, desktop computers, servers, graphic cards cards
- Portable gaming devices, personal navigation systems, personal multimedia devices
- Automotive systems
- Telecomm base stations

Dimensions: [mm]



Land Pattern: [mm]



Electrical Properties:

| Part No | Inductance (μH) | Tolerance | Saturation current (A) | Temperature Rise Current (A) | DCR ±30% (Ω) | S.R.F Min. (MHz) |
|---------------|-----------------|-----------|------------------------|------------------------------|--------------|------------------|
| NRSC4030-R91N | 0.91 | ±30% | 6.25 | 4.00 | 0.013 | 100 |
| NRSC4030-1R2N | 1.2 | ±30% | 5.80 | 3.82 | 0.015 | 80 |
| NRSC4030-1R5N | 1.5 | ±30% | 4.84 | 3.34 | 0.020 | 62 |
| NRSC4030-1R8N | 1.8 | ±30% | 4.80 | 3.00 | 0.028 | 60 |
| NRSC4030-2R2N | 2.2 | ±30% | 4.40 | 2.95 | 0.030 | 52 |
| NRSC4030-3R3M | 3.3 | ±20% | 3.30 | 2.40 | 0.040 | 38 |
| NRSC4030-4R3M | 4.3 | ±20% | 2.95 | 2.10 | 0.055 | 37 |
| NRSC4030-4R7M | 4.7 | ±20% | 2.90 | 2.00 | 0.060 | 31 |
| NRSC4030-5R6M | 5.6 | ±20% | 2.60 | 1.95 | 0.065 | 30 |
| NRSC4030-6R8M | 6.8 | ±20% | 2.75 | 1.60 | 0.090 | 24 |
| NRSC4030-7R5M | 7.5 | ±20% | 2.20 | 1.65 | 0.085 | 26 |
| NRSC4030-8R2M | 8.2 | ±20% | 2.10 | 1.60 | 0.090 | 26 |
| NRSC4030-100M | 10 | ±20% | 1.95 | 1.50 | 0.100 | 21 |
| NRSC4030-120M | 12 | ±20% | 1.70 | 1.30 | 0.135 | 18 |

| Part No | Inductance (μH) | Tolerance | Saturation current (A) | Temperature Rise Current (A) | DCR ±30% (Ω) | S.R.F Min. (MHz) |
|---------------|-----------------|-----------|------------------------|------------------------------|--------------|------------------|
| NRSC4030-150M | 15 | ±20% | 1.65 | 1.11 | 0.190 | 16 |
| NRSC4030-180M | 18 | ±20% | 1.40 | 1.10 | 0.200 | 10 |
| NRSC4030-220M | 22 | ±20% | 1.30 | 1.00 | 0.225 | 10 |
| NRSC4030-330M | 33 | ±20% | 1.10 | 0.84 | 0.330 | 10 |
| NRSC4030-360M | 36 | ±20% | 1.05 | 0.83 | 0.335 | 9.8 |
| NRSC4030-390M | 39 | ±20% | 1.03 | 0.73 | 0.435 | 10 |
| NRSC4030-470M | 47 | ±20% | 0.95 | 0.72 | 0.445 | 8.4 |
| NRSC4030-510M | 51 | ±20% | 0.90 | 0.70 | 0.470 | 8.4 |
| NRSC4030-560M | 56 | ±20% | 0.85 | 0.65 | 0.555 | 8.4 |
| NRSC4030-620M | 62 | ±20% | 0.80 | 0.63 | 0.585 | 7 |
| NRSC4030-680M | 68 | ±20% | 0.72 | 0.52 | 0.868 | 7 |
| NRSC4030-750M | 75 | ±20% | 0.70 | 0.48 | 1.020 | 6.3 |
| NRSC4030-820M | 82 | ±20% | 0.66 | 0.47 | 1.060 | 5.6 |
| NRSC4030-910M | 91 | ±20% | 0.65 | 0.46 | 1.100 | 5.6 |
| NRSC4030-101M | 100 | ±20% | 0.60 | 0.45 | 1.150 | 5.6 |
| NRSC4030-121M | 120 | ±20% | 0.55 | 0.42 | 1.350 | 5.4 |

Inductance tested at 100kHz, 1Vrms.

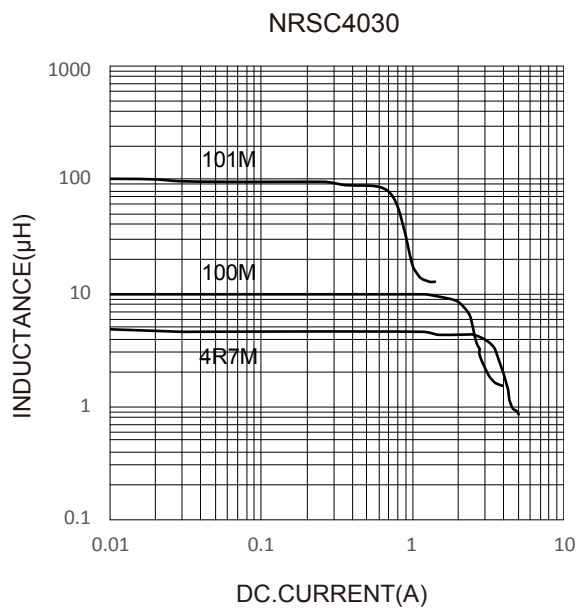
Operating temperature : -40°C ~ +125°C

Temperature rise current: the actual value of DC current when the temperature rise is ΔT40°C

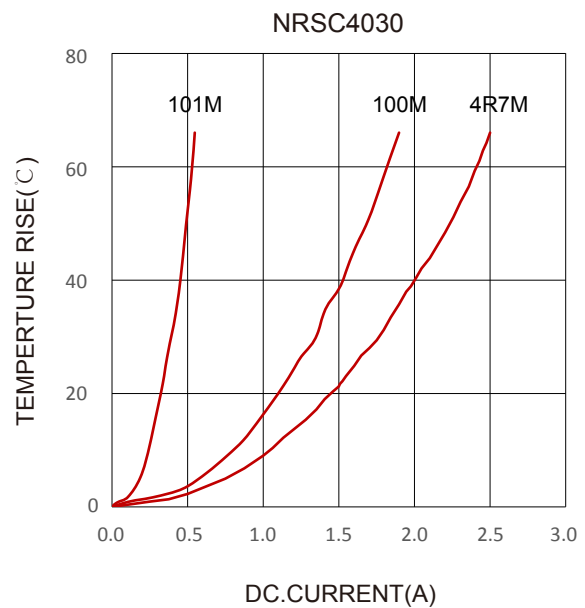
Saturation Current that will cause initial inductance to drop approximately 30%

Typical Electrical Characteristics:

Inductance VS. DC.Current Characteristics:



Temperture Rise VS. DC.Current Characteristics:



X-ON Electronics

Largest Supplier of Electrical and Electronic Components

Click to view similar products for [Fixed Inductors](#) category:

Click to view products by [KOHER](#) manufacturer:

Other Similar products are found below :

[CR32NP-100KC](#) [CR54NP-470LC](#) [70F224AI](#) [MGDQ4-00004-P](#) [MHQ1005P10NJ](#) [MHQ1005P1N0S](#) [MHQ1005P2N4S](#) [MHQ1005P3N6S](#)
[MHQ1005P5N1S](#) [MHQ1005P8N2J](#) [PE-53601NL](#) [PE-53602NL](#) [PG0936.113NLT](#) [9220-20](#) [9310-16](#) [PM06-2N7](#) [PM06-39NJ](#) [A01TK](#)
[1206CS-471XJ](#) [HC2-R47-R](#) [HC8-1R2-R](#) [HCF1305-3R3-R](#) [1206CS-151XG](#) [RCH664NP-140L](#) [RCH664NP-4R7M](#) [RCP1317NP-391L](#)
[RCR110DNP-331L](#) [DH2280-4R7M](#) [DS1608C-106](#) [B10TJ](#) [B82498B3101J000](#) [ELJ-RE27NJF2](#) [1812CS-153XJ](#) [1812CS-183XJ](#) [1812CS-](#)
[223XJ](#) [1812LS-104XJ](#) [1812LS-105XJ](#) [1812LS-124XJ](#) [1812LS-154XJ](#) [1812LS-223XJ](#) [1812LS-224XJ](#) [1812LS-563XJ](#) [1812LS-683XJ](#)
[1812LS-824XJ](#) [NIN-FB101JTR110F](#) [NIN-FB471JTR62F](#) [NIN-FC1R5JTR220F](#) [NIN-HCR15JTRF](#) [NIN-HCR33JTRF](#) [NIN-HDR22JTRF](#)