

**SCM Series**  
Common Mode Filter  
Size 3225



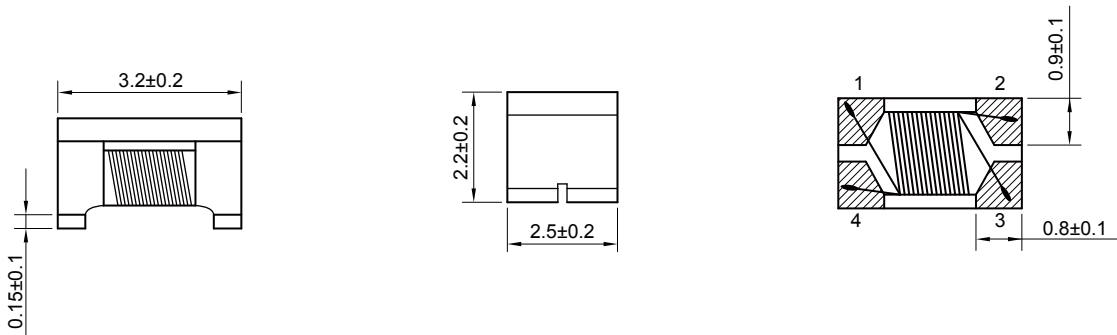
**FEATURES**

- High common mode impedance for outstanding noise suppression performance.
- Small influence on high speed signals through good coupling.
- Operating temperature -40~+125 C (Including self - temperature rise)
- Excellent solderability

**FEATURES**

- USB2.0 lines for PC, TV, Peripheral equipments
- Standard signal lines
- Audio lines
- Power lines

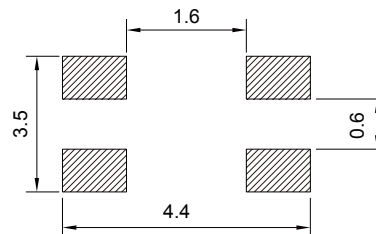
**Dimensions: [mm]**



**Schematic:**



**Land Pattern: [mm]**

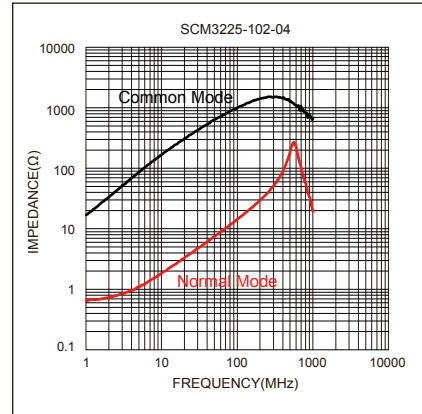
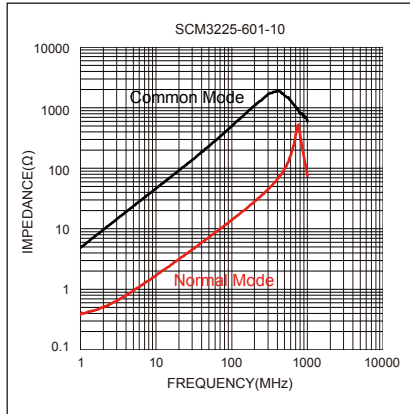
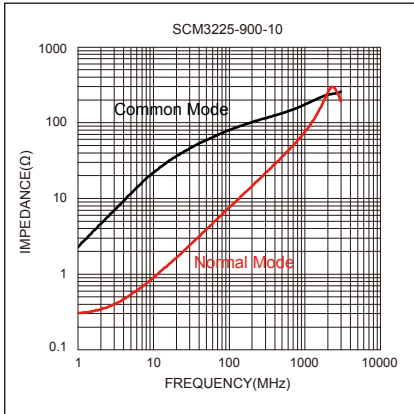


**Electrical Properties:**

| Part No        | Impedance @ 100 MHz (Ω) | Tolerance | DC Resistance Max. (Ω) | Rated Current Max. (mA) | Rated Volt Max. (V) | Withstand Volt Max. (V) | IR Min. (MΩ) |
|----------------|-------------------------|-----------|------------------------|-------------------------|---------------------|-------------------------|--------------|
| SCM3225-900-10 | 90                      | ±25%      | 0.05                   | 1000                    | 50                  | 125                     | 10           |
| SCM3225-601-10 | 600                     | ±25%      | 0.20                   | 1000                    | 50                  | 125                     | 10           |
| SCM3225-102-04 | 1000                    | ±25%      | 0.30                   | 400                     | 50                  | 125                     | 10           |

Typical Electrical Characteristics:

Impedance VS Frequency



## X-ON Electronics

Largest Supplier of Electrical and Electronic Components

*Click to view similar products for [Common Mode Chokes / Filters](#) category:*

*Click to view products by [KOHER](#) manufacturer:*

Other Similar products are found below :

[PE-64683](#) [RD5122-6-9M6](#) [ST6118T-R](#) [FE3X025-10-7NL](#) [T8114NLT](#) [TCM0806G-350-2P-T](#) [TCM0806G-650-2P-T](#) [IND-0110](#)  
[UAL21VR0802000](#) [UALSC023000000](#) [UALSC1020JH000](#) [UALSU10VD20010](#) [UALSU9VD070100](#) [36-00037](#) [CM7060M132R-10](#)  
[UALW21HS072450](#) [UALSU9H0208000](#) [UAL24VK06450CH](#) [PLT10HH501100PNB](#) [PLT10HH401100PNB](#) [PLT10HH1026R0PNB](#) [36-](#)  
[00029-01](#) [PE-67531](#) [TLH10UB 113 OR5](#) [2752045447](#) [CM8663Z161B-10](#) [7351V](#) [CMF16-153131](#) [T8116NLT](#) [CMS2-10-R](#) [FE2X10-4-2NL](#)  
[T8003NLT](#) [CTX01-13663](#) [CTX66-19521-R](#) [RC212-0.5-10M](#) [RC112-0.4-15M](#) [RC212-0.6-6M8](#) [RC212-0.4-15M](#) [RC112-0.3-30M](#) [4534-3](#)  
[WTCF2012Z0M751PB](#) [PH9408.814NLT](#) [B82498B3221J000](#) [PAC6006.364NLT](#) [PAC6006.444NLT](#) [PAC6006.204NLT](#) [PH9407.204NLT](#)  
[PAC6006.264NLT](#) [PH9408.105NLT](#) [PH9408.494NLT](#)