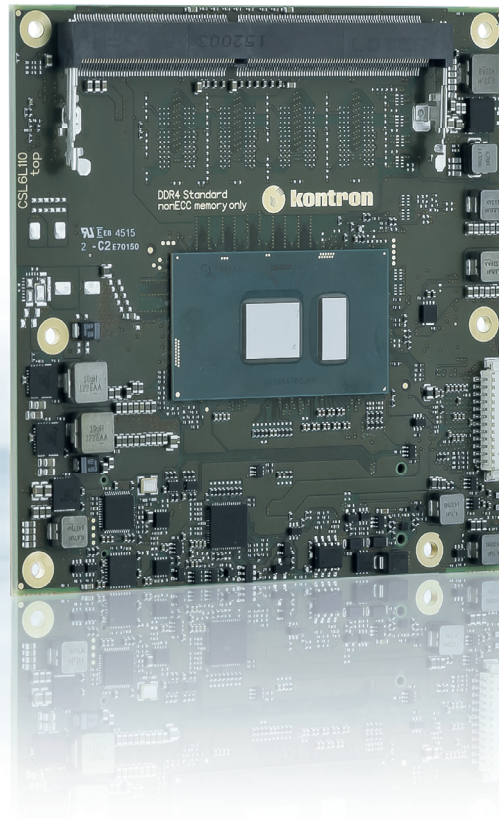


COMe-cKL6



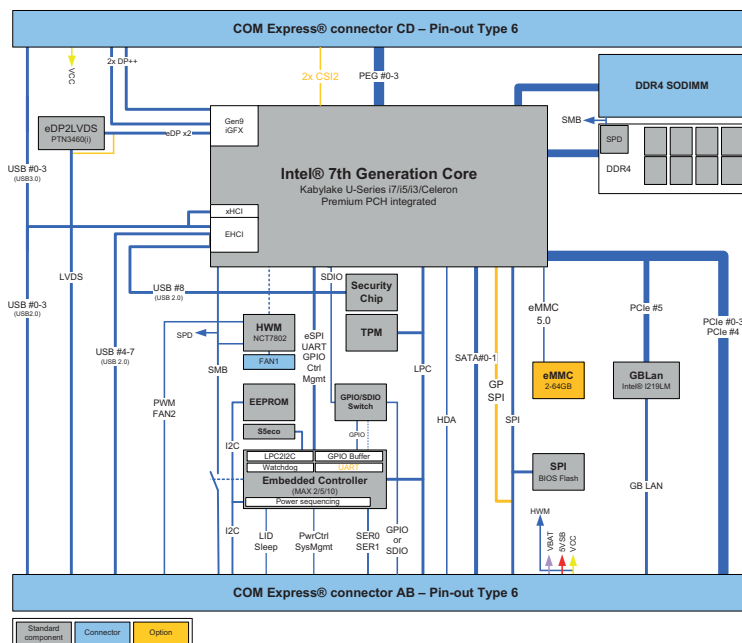
COM Express® Compact Type 6 with 7th Generation Intel® Core™ Processors

- ▶ COM Express® compact pin-out type 6 Computer-on-Module with 7th Generation Intel® Core™ Processors
- ▶ Up to 24 GByte DDR4 memory (8 GByte DDR4 memor down)
- ▶ Up to 10 lanes PCIe 3.0
- ▶ 4x USB 3.0, 2x SATA 6G

POSSIBILITIES START HERE

TECHNICAL INFORMATION

COMPLIANCE	COM Express Compact Pin-out Type 6
DIMENSIONS (H x W x D)	95 x 95 mm
CPU	Intel® Core® i7-7600U, 2x 2.8 GHz (3.9 GHz), GT2, 15 W Intel® Core® i5-7300U, 2x 2.6 GHz (3.5 GHz), GT2, 15 W Intel® Core® i3-7100U, 2x 2.4 GHz, GT2, 15 W Intel® Core® Celeron® 3965U, 2x 2.2 GHz, GT1, 15 W
CHIPSET	Integrated SoC
MAIN MEMORY	1x DDR4 SO-DIMM up to 16 GByte, 2nd channel DDR4 memory down up to 8 GByte
GRAPHICS CONTROLLER	Intel® HD Graphics 620 (Celeron® 3965U: Intel® HD Graphics 610)
ETHERNET CONTROLLER	Intel® I219LM
ETHERNET	10/100/1000 MBit Ethernet
HARD DISK	2x SATA 6Gb/s
FLASH ONBOARD	up to 32 GByte SLC eMMC (depending on SKU - standard feature or available on request)
PCI Express/ PCI SUPPORT	5x PCIe3.0 on PCIe lane 0-4 (3.0 only i5/ i7 SKUs) 5 controllers, 5 x1, 1 x4 + 1 x1 Option: 6 Lanes if no LAN 4x PCIe3.0 on PEG Lanes 0-3 (3.0 only i5/ i7 SKUs) 1 Controller, 1 x4 or 1 x2 or 1 x1, (Intel® RST)
PANEL SIGNAL	DDI1: DP++, DDI2: DP++, DDI3: -, VGA: -, LVDS: Dual Channel 18/24 bit
USB	4x USB 3.0 (incl. USB 2.0) + 4x USB 2.0
SERIAL	2x serial interface (RX/TX only)
AUDIO	Intel® High Definition Audio
COMMON FEATURES	SPI, LPC, SMB, Fast I ² C, Staged Watchdog, RTC, support of Intel® Optane™ memory technology via PCIe
BIOS	AMI Aptio V
HUMIDITY	93 % relative Humidity at 40 °C, non-condensing (according to IEC 60068-2-78)
ON REQUEST	vPRO (AMT/TXT/AES Support), eDP instead of LVDS, 1x PCIe x1 additional w/o onboard LAN, max. 32 GByte SLC eMMC, industrial grade -40 °C to +85 °C
POWER MANAGEMENT	ACPI 6.0
POWER SUPPLY	8.5 V – 20 V Wide Range ATX, Single Supply Power
SPECIAL FEATURES	POSCAP capacitors, Trusted Platform Module TPM 2.0, Security Chip
OPERATING SYSTEMS	Windows®10, Linux, VxWorks
TEMPERATURE	Commercial temperature: 0 °C to +60 °C operating, -30 °C to +85 °C non-operating Extended temperature: -25 °C to +75 °C operating, -30 °C to +85 °C non-operating
SUPPORTED MODULES	COMe-cKL6 xx-xxxxx



Global Headquarters

Kontron S&T AG

Lise-Meitner-Str. 3-5
86156 Augsburg, Germany
Tel.: + 49 821 4086 0
Fax: + 49 821 4086 111
info@kontron.com
www.kontron.com

X-ON Electronics

Largest Supplier of Electrical and Electronic Components

Click to view similar products for [Computer-On-Modules - COM category](#):

Click to view products by [Kontron manufacturer](#):

Other Similar products are found below :

[FP2-BP12](#) [CEM881PG-i7-5650U](#) [t2Express-HL-i5-4402E](#) [34099-0000-99-2](#) [38017-0000-00-0](#) [36024-0000-99-1](#) [34099-0000-99-0](#) [36026-0000-99-1](#) [36026-0000-99-0](#) [38017-0000-00-5](#) [36016-4000-19-4](#) [VSTK-6ULL-NFC](#) [Express-SL-i7-6820EQ](#) [W612M3A600SC](#) [24828-10724571-309](#) [30846-682](#) [ET970K-X3G](#) [UPC-PLUSX5Q-A20-0464](#) [UPC-PLUSX7-A20-08128](#) [UPC-PLUSX5D-A20-0232](#) [UPC-PLUSX7-A20-0864](#) [UPX-WHLCR-A20-04064](#) [cExpress-BL-i5-5350U](#) [cExpress-KL-i3-7100U](#) [Express-BD7-D1539](#) [Express-CF-i5-8400H](#) [Express-HLE-i3-4100E](#) [Express-IBR-i7-R-3612QE](#) [LEC-BT4-4G-8G-ER](#) [nanoX-BT-E3825-2G/8G](#) [nanoX-BT-E3845-4G](#) [Q7-BT1-2G-8G-ER](#) [ROM-3310CS-MCA1E](#) [ROM-3310WS-MCA1E](#) [Evo M51](#) [EmNANO-a56M0-210HA](#) [EmQ-i2301-E3825](#) [EmQ-i2301-E3845](#) [EmQ-i2506](#) [G552BE](#) [CEM130-V1202B](#) [CEM700-D1508](#) [ET976-1807LV-4G](#) [ET976-1202-4G](#) [ET976-1605-4G](#) [ET976-1605LV-4G](#) [ET976-1605LV-8G](#) [ET976-1807LV-8G](#) [ET976-1202LV-E4G](#)