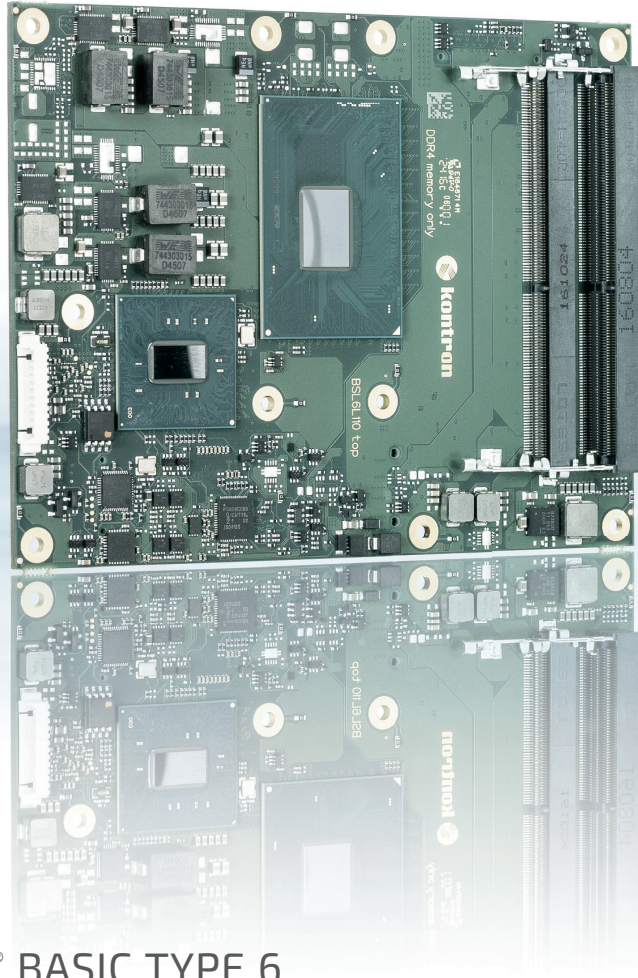


COMe-bKL6



COM EXPRESS® BASIC TYPE 6 WITH 7th GENERATION Intel® Core™ / Xeon® PROCESSORS

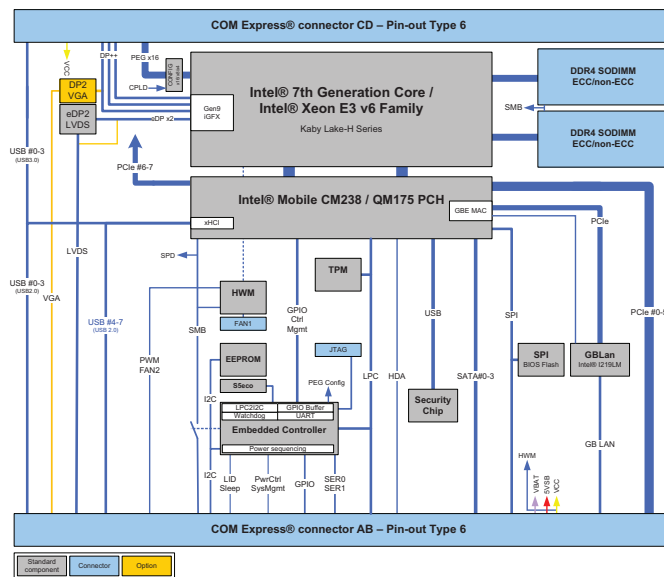
- ▶ Intel® 7th Generation Core™ series / Xeon® E3 v6 family with CM238/QM175 PCH
- ▶ Up to 32 GByte DDR4 non-ECC/ECC memory
- ▶ Support of Kontron's Embedded Security Solution (Approtect)
- ▶ Support of Intel® Optane™ memory technology via PCIe

POSSIBILITIES START HERE



TECHNICAL INFORMATION

COMPLIANCE	COM Express® basic, Pin-out Type 6
DIMENSIONS (H x W)	125 x 95 mm
CPU	Intel® Xeon® E3-1505M v6, 4x 3.0 GHz (4.0 GHz), GT2, 45/35 W Intel® Xeon® E3-1505L v6, 4x 2.2 GHz (3.0 GHz), GT2, 25 W Intel® i7-7820EQ Core™ i7, 4x 3.0 GHz (3.7 GHz), GT2, 45/35 W Intel® i5-7440EQ Core™ i5, 4x 2.9 GHz (3.6 GHz), GT2, 45/35 W Intel® i5-7442EQ Core™ i5, 4x 2.1 GHz (2.9 GHz), GT2, 25 W Intel® i3-7100E Core™ i3, 2x 2.9 GHz, GT2, 35 W Intel® i3-7102E Core™ i3, 2x 2.1 GHz, GT2, 25 W
CHIPSET	Intel® Mobile CM238 / Intel® Mobile QM175 (Core™ i5 & Core™ i7)
MAIN MEMORY	2x DDR4-2400 SO-DIMM up to 2x 16 GByte (non-ECC/ECC)
GRAPHICS CONTROLLER	Intel® HD Graphics P630 for Xeon® processors Intel® HD Graphics 630 for Core™ processors
ETHERNET CONTROLLER	Intel® I219LM
ETHERNET	10/100/1000 MBit Ethernet
HARD DISK	4x SATA 6Gb/s
FLASH ONBOARD	-
PCI EXPRESS® SUPPORT	8x PCIe x1, 1x PEG x16
PANEL SIGNAL	DDI1: DP++, DDI2: DP++, DDI3: DP++, VGA: -, LVDS: Dual Channel 18/24bit
USB	4x USB 3.0 (incl. USB 2.0) + 4x USB 2.0
SERIAL	2x serial interface (RX/TX only)
AUDIO	Intel® High Definition Audio
COMMON FEATURES	SPI, LPC, SMB, Fast I ² C, Staged Watchdog, RTC, support of Intel® Optane™ memory technology via PCIe
BIOS	AMI Aptio V
HUMIDITY	93 % relative Humidity at 40° C, non-condensing (according to IEC 60068-2-78)
ON REQUEST	vPRO (AMT/TXT/AES Support), eDP instead of LVDS, VGA, Intel® Mobile HM175 Chipset
POWER MANAGEMENT	ACPI 6.0
POWER SUPPLY	8.5 V - 20 V Wide Range, Single Supply Power
SPECIAL FEATURES	POSCAP capacitors, Trusted Platform Module TPM 2.0, Security Chip, 4k Resolutions, Flexible PEG lane configuration by Setup Option
OPERATING SYSTEM	Windows® 10, Linux, VxWorks
TEMPERATURE	Commercial temperature: 0° C to +60° C operating, -30° C to +85° C non-operating Extended temperature: -25° C to +75° C operating, -30° C to +85° C non-operating
SUPPORTED MODULES	COMe-bKL6 xx-xxxxxx CM238/QM175



GLOBAL HEADQUARTERS

KONTRON S&T AG

Lise-Meitner-Str. 3-5
86156 Augsburg, Germany
Tel.: + 49 821 4086 0
Fax: + 49 821 4086 111
info@kontron.com
www.kontron.com

X-ON Electronics

Largest Supplier of Electrical and Electronic Components

Click to view similar products for [Computer-On-Modules - COM category](#):

Click to view products by [Kontron manufacturer](#):

Other Similar products are found below :

[FP2-BP12](#) [CEM881PG-i7-5650U](#) [t2Express-HL-i5-4402E](#) [34099-0000-99-2](#) [38017-0000-00-0](#) [36024-0000-99-1](#) [34099-0000-99-0](#) [36026-0000-99-1](#) [36026-0000-99-0](#) [38017-0000-00-5](#) [36016-4000-19-4](#) [VSTK-6ULL-NFC](#) [Express-SL-i7-6820EQ](#) [W612M3A600SC](#) [24828-10724571-309](#) [30846-682](#) [ET970K-X3G](#) [UPC-PLUSX5Q-A20-0464](#) [UPC-PLUSX7-A20-08128](#) [UPC-PLUSX5D-A20-0232](#) [UPC-PLUSX7-A20-0864](#) [UPX-WHLCR-A20-04064](#) [cExpress-BL-i5-5350U](#) [cExpress-KL-i3-7100U](#) [Express-BD7-D1539](#) [Express-CF-i5-8400H](#) [Express-HLE-i3-4100E](#) [Express-IBR-i7-R-3612QE](#) [LEC-BT4-4G-8G-ER](#) [nanoX-BT-E3825-2G/8G](#) [nanoX-BT-E3845-4G](#) [Q7-BT1-2G-8G-ER](#) [ROM-3310CS-MCA1E](#) [ROM-3310WS-MCA1E](#) [Evo M51](#) [EmNANO-a56M0-210HA](#) [EmQ-i2301-E3825](#) [EmQ-i2301-E3845](#) [EmQ-i2506](#) [G552BE](#) [CEM130-V1202B](#) [CEM700-D1508](#) [ET976-1807LV-4G](#) [ET976-1202-4G](#) [ET976-1605-4G](#) [ET976-1605LV-4G](#) [ET976-1605LV-8G](#) [ET976-1807LV-8G](#) [ET976-1202LV-E4G](#)