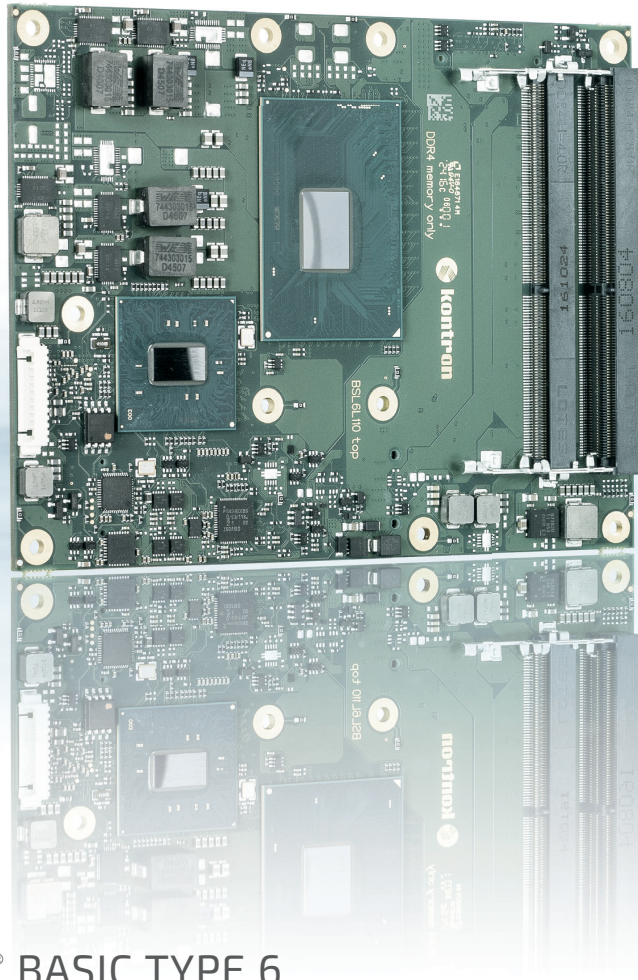


COMe-bKL6R E2S



COM EXPRESS® BASIC TYPE 6 WITH 7th GENERATION Intel® Core™ / Xeon® PROCESSORS

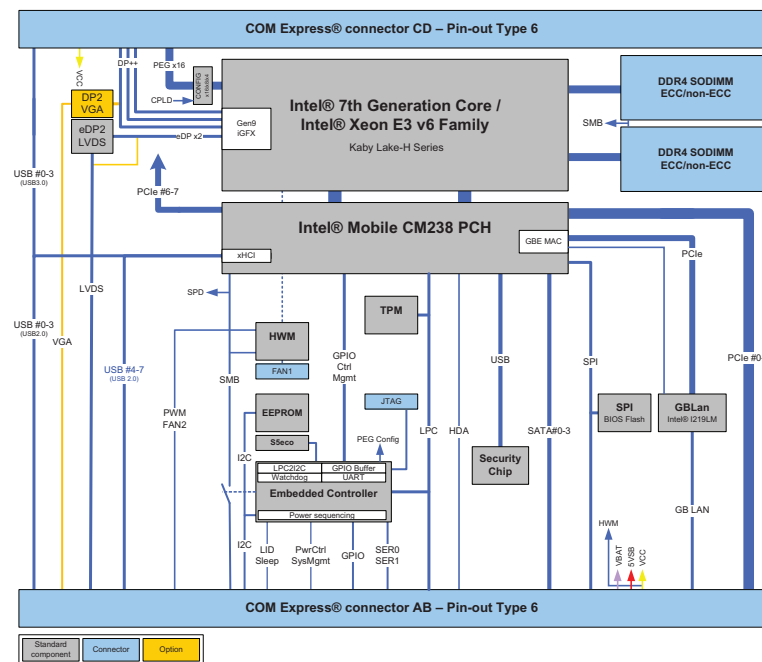
- ▶ Intel® 7th Generation Core™ series / Xeon® E3 v6 family with CM238 PCH
- ▶ Up to 32 GByte DDR4 non-ECC/ECC memory
- ▶ Industrial temperature grade
- ▶ Support of Kontron's Embedded Security Solution (Approtect)
- ▶ Support of Intel® Optane™ memory technology via PCIe

POSSIBILITIES START HERE



TECHNICAL INFORMATION

COMPLIANCE	COM Express® basic, Pin-out Type 6
DIMENSIONS (H x W)	125 x 95 mm
CPU	Intel® Xeon® E3-1505M v6, 4x 3.0 GHz (4.0 GHz), GT2, 45/35 W Intel® Xeon® E3-1505L v6, 4x 2.2 GHz (3.0 GHz), GT2, 25 W Intel® i3-7100E Core™ i3, 2x 2.9 GHz, GT2, 35 W Intel® i3-7102E Core™ i3, 2x 2.1 GHz, GT2, 25 W
CHIPSET	Intel® Mobile CM238
MAIN MEMORY	2x DDR4-2400 SO-DIMM up to 2x 16 GByte (non-ECC/ECC)
GRAPHICS CONTROLLER	Intel® HD Graphics P630 for Xeon® processors Intel® HD Graphics 630 for Core™ processors
ETHERNET CONTROLLER	Intel® I219LM
ETHERNET	10/100/1000 MBit Ethernet
HARD DISK	4x SATA 6Gb/s
FLASH ONBOARD	-
PCI EXPRESS® SUPPORT	8x PCIe x1, 1x PEG x16
PANEL SIGNAL	DDI1: DP++, DDI2: DP++, DDI3: DP++, VGA: -, LVDS: Dual Channel 18/24bit
USB	4x USB 3.0 (incl. USB 2.0) + 4x USB 2.0
SERIAL	2x serial interface (RX/TX only)
AUDIO	Intel® High Definition Audio
COMMON FEATURES	SPI, LPC, SMB, Fast I ² C, Staged Watchdog, RTC, support of Intel® Optane™ memory technology via PCIe
BIOS	AMI Aptio V
HUMIDITY	93 % relative Humidity at 40° C, non-condensing (according to IEC 60068-2-78)
ON REQUEST	vPRO (AMT/TXT/AES Support), eDP instead of LVDS, VGA
POWER MANAGEMENT	ACPI 6.0
POWER SUPPLY	ATX or Single Supply Power
SPECIAL FEATURES	POSCAP capacitors, Trusted Platform Module TPM 2.0, Security Chip, 4k Resolutions, Flexible PEG lane configuration by Setup Option, Rapid Shutdown
OPERATING SYSTEM	Windows® 10, Linux, VxWorks
TEMPERATURE	Industrial temperature: -40° C to +85° C operating, -40° C to +85° C non-operating
SUPPORTED MODULES	COMe-bKL6R E2S xx-xxxxxx CM238



GLOBAL HEADQUARTERS

KONTRON S&T AG

Lise-Meitner-Str. 3-5
86156 Augsburg, Germany
Tel.: + 49 821 4086 0
Fax: + 49 821 4086 111
info@kontron.com
www.kontron.com

X-ON Electronics

Largest Supplier of Electrical and Electronic Components

Click to view similar products for [Computer-On-Modules - COM category](#):

Click to view products by [Kontron manufacturer](#):

Other Similar products are found below :

[FP2-BP12](#) [CEM881PG-i7-5650U](#) [t2Express-HL-i5-4402E](#) [34099-0000-99-2](#) [38017-0000-00-0](#) [36024-0000-99-1](#) [34099-0000-99-0](#) [36026-0000-99-1](#) [36026-0000-99-0](#) [38017-0000-00-5](#) [36016-4000-19-4](#) [VSTK-6ULL-NFC](#) [Express-SL-i7-6820EQ](#) [W612M3A600SC](#) [24828-10724571-309](#) [30846-682](#) [ET970K-X3G](#) [UPC-PLUSX5Q-A20-0464](#) [UPC-PLUSX7-A20-08128](#) [UPC-PLUSX5D-A20-0232](#) [UPC-PLUSX7-A20-0864](#) [UPX-WHLCR-A20-04064](#) [cExpress-BL-i5-5350U](#) [cExpress-KL-i3-7100U](#) [Express-BD7-D1539](#) [Express-CF-i5-8400H](#) [Express-HLE-i3-4100E](#) [Express-IBR-i7-R-3612QE](#) [LEC-BT4-4G-8G-ER](#) [nanoX-BT-E3825-2G/8G](#) [nanoX-BT-E3845-4G](#) [Q7-BT1-2G-8G-ER](#) [ROM-3310CS-MCA1E](#) [ROM-3310WS-MCA1E](#) [Evo M51](#) [EmNANO-a56M0-210HA](#) [EmQ-i2301-E3825](#) [EmQ-i2301-E3845](#) [EmQ-i2506](#) [G552BE](#) [CEM130-V1202B](#) [CEM700-D1508](#) [ET976-1807LV-4G](#) [ET976-1202-4G](#) [ET976-1605-4G](#) [ET976-1605LV-4G](#) [ET976-1605LV-8G](#) [ET976-1807LV-8G](#) [ET976-1202LV-E4G](#)