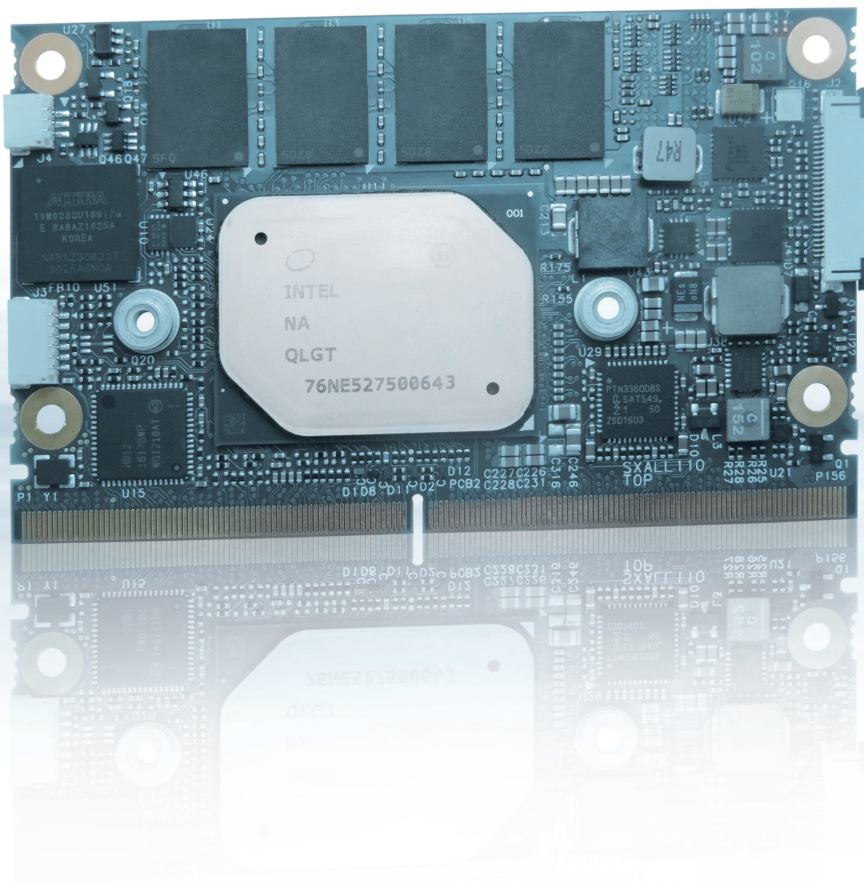


SMARC-sXAL (E2)



LATEST GENERATION Intel Atom[®], Pentium[®] and Celeron[®] PROCESSOR SERIES

- ▶ up to 8 GByte DDR3L memory down (ECC / non ECC)
- ▶ Triple display support
- ▶ 2x USB 3.0, 4x USB 2.0 (optional 1x USB OTG), 1x SATA, eMMC onboard
- ▶ industrial grade temperature
- ▶ support of Kontron's Embedded Security Solution (Approtect)

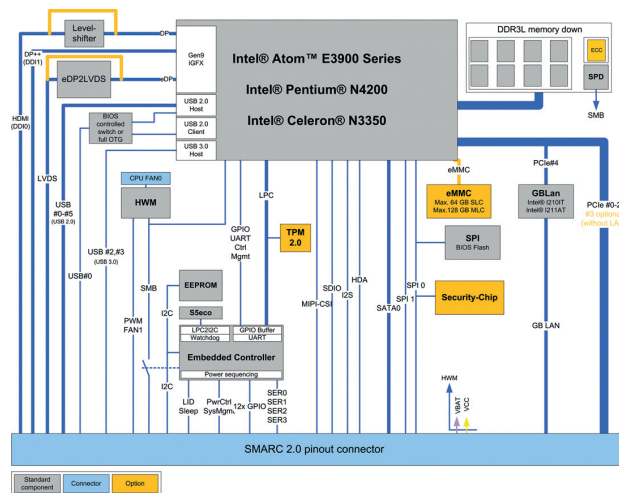
POSSIBILITIES START HERE



kontron

TECHNICAL INFORMATION

COMPLIANCE	SMARC 2.0
DIMENSIONS (H X W X D)	82 x 50 mm
CPU	Intel Atom® x7-E3950, 4C, 1.6 / 2.0 GHz, 12 W TDP Intel Atom® x5-E3940, 4C, 1.6 / 1.8 GHz, 9.5 W TDP Intel Atom® x5-E3930, 2C, 1.3 / 1.8 GHz, 6.5 W TDP Intel® Pentium® N4200, 4C, 1.1 / 2.5 GHz, 6 W TDP Intel® Celeron® N3350, 2C, 1.1 / 2.4 GHz, 6 W TDP
CHIPSET	-
MAIN MEMORY	Up to 8 GByte DDR3-1867 (-1600) memory down (ECC for Atom-versions)
GRAPHICS CONTROLLER	Intel HD Gfx Gen9
ETHERNET CONTROLLER	Intel® I210IT/I211AT
ETHERNET	10/100/1000 MBit Ethernet
STORAGE	1x SATA 6 Gb/s
FLASH ONBOARD	32 GByte eMMC 5.0
PCI EXPRESS® SUPPORT	3x PCIe x1
PANEL SIGNAL	1x HDMI (on request DP), 1x DP++, 1x LVDS dual channel (on request eDP)
USB	2x USB 3.0 (incl. USB 2.0) + 4x USB 2.0, alternatively USB #0 as OTG
SERIAL	4x serial interfaces (2x RX/TX only)
OTHERS	HD Audio and I2S, 5x I2C, 2x SPI, Camera Interface (2x MIPI CSI), 12x GPIOs
SPECIAL FEATURES	Trusted Platform Module TPM 2.0 Security Chip (Support of Kontron Appprotect), Industrial Temperature Grade versions
FEATURES ON REQUEST	w/o onboard LAN: 4x PCIe x1, or 1x PCIe x4 configuration eMMC 5.0 Flash onboard (up to 32 GByte SLC, up to 64 GByte MLC) eDP instead of LVDS, DP instead of HDMI
BIOS	AMI Aptio V
OPERATING SYSTEM	Windows® 10, Enterprise, Windows 10 IoT, Linux, VxWorks
POWER SUPPLY	3 V – 5.25 V operates directly from single level Lithium Ion cells or fixed 3.3 V – 5 V power supplies
TEMPERATURE	SMARC-sXAL: Commercial temperature: 0 °C to +60 °C operating, -30 °C to +85 °C non-operating SMARC-sXAL E2: Industrial temperature: -40 °C to +85 °C operating, -40 °C to +85 °C non-operating
HUMIDITY	93 % relative Humidity at 40 °C, non-condensing (according to IEC 60068-2-78)



GLOBAL HEADQUARTERS

KONTRON S&T AG

Lise-Meitner-Str. 3-5
86156 Augsburg, Germany
Tel.: + 49 821 4086 0
Fax: + 49 821 4086 111
info@kontron.com
www.kontron.com

X-ON Electronics

Largest Supplier of Electrical and Electronic Components

Click to view similar products for [Computer-On-Modules - COM category](#):

Click to view products by [Kontron manufacturer](#):

Other Similar products are found below :

[FP2-BP12](#) [CEM881PG-i7-5650U](#) [t2Express-HL-i5-4402E](#) [34099-0000-99-2](#) [38017-0000-00-0](#) [36024-0000-99-1](#) [34099-0000-99-0](#) [36026-0000-99-1](#) [36026-0000-99-0](#) [38017-0000-00-5](#) [36016-4000-19-4](#) [VSTK-6ULL-NFC](#) [Express-SL-i7-6820EQ](#) [W612M3A600SC](#) [24828-10724571-309](#) [30846-682](#) [ET970K-X3G](#) [UPC-PLUSX5Q-A20-0464](#) [UPC-PLUSX7-A20-08128](#) [UPC-PLUSX5D-A20-0232](#) [UPC-PLUSX7-A20-0864](#) [UPX-WHLCR-A20-04064](#) [cExpress-BL-i5-5350U](#) [cExpress-KL-i3-7100U](#) [Express-BD7-D1539](#) [Express-CF-i5-8400H](#) [Express-HLE-i3-4100E](#) [Express-IBR-i7-R-3612QE](#) [LEC-BT4-4G-8G-ER](#) [nanoX-BT-E3825-2G/8G](#) [nanoX-BT-E3845-4G](#) [Q7-BT1-2G-8G-ER](#) [ROM-3310CS-MCA1E](#) [ROM-3310WS-MCA1E](#) [Evo M51](#) [EmNANO-a56M0-210HA](#) [EmQ-i2301-E3825](#) [EmQ-i2301-E3845](#) [EmQ-i2506](#) [G552BE](#) [CEM130-V1202B](#) [CEM700-D1508](#) [ET976-1807LV-4G](#) [ET976-1202-4G](#) [ET976-1605-4G](#) [ET976-1605LV-4G](#) [ET976-1605LV-8G](#) [ET976-1807LV-8G](#) [ET976-1202LV-E4G](#)