

COMe-bBD7



COM Express® basic Type 7 with Intel® Xeon® and Pentium® D-1500 SOC processors

- ▶ server-grade platform
- ▶ up to 64 GByte DDR4 ECC/non-ECC
- ▶ dual 10GbE interfaces
- ▶ high-speed connectivity 24x PCIe 3.0 + 8x PCIe 2.0, 4x USB 3.0, 2x SATA3
- ▶ industrial grade versions

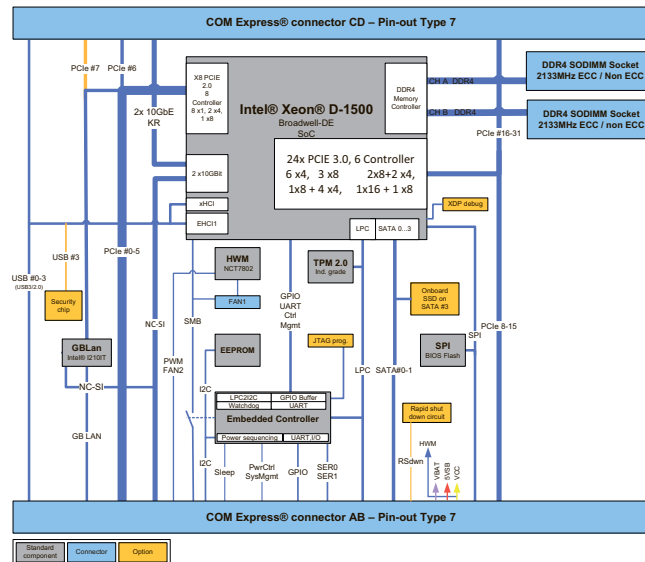
POSSIBILITIES START HERE



kontron
an S&T company

TECHNICAL INFORMATION

COMPLIANCE	COM Express® Basic, Pin-out Type 7
DIMENSIONS (H x W x D)	95 x 125 mm
CPU (SoC)	Intel® Xeon® Processor D-1577, 16 C, 1.3 GHz, 24 MByte, 45 W, Intel® Xeon® Processor D-1548, 8 C, 2.0 GHz, 12 MByte, 45 W, Intel® Xeon® Processor D-1537, 8 C, 1.7 GHz, 12 MByte, 35 W, Intel® Xeon® Processor D-1528, 6 C, 1.9 GHz, 9 MByte, 35 W, Intel® Xeon® Processor D-1527, 4 C, 2.2 GHz, 6 MByte, 35 W, Intel® Pentium® Processor D1517, 4 C, 1.6 GHz, 6 MByte, 25 W, Intel® Pentium® Processor D1508, 2 C, 2.2 GHz, 3 MByte, 25 W, Intel® Xeon® Processor D-1559, 12 C, 1.5 GHz, 18 MByte, 45 W, ind. Temp Intel® Xeon® Processor D-1539, 8 C, 1.6 GHz, 12 MByte, 35 W, ind. Temp Intel® Pentium® Processor D1519, 4 C, 1.5 GHz, 6 MByte, 25 W, ind. Temp
MAIN MEMORY	2x DDR4 SODIMM dual channel up to 64 GByte ECC or non ECC
ETHERNET CONTROLLER	Intel® I210IT (uses one lane of PCIe 2.0) Intel® Dual 10GbE LAN integrated in SoC
ETHERNET	1x 10/100/1000 MBit Ethernet Dual 10GbE Interface (KR) and NC-SI
HARD DISK	2x SATA3, 6Gb/s
FLASH ONBOARD	SATA SSD up to 32 GByte (on request)
PCI Express® / PCI SUPPORT	24x PCIe 3.0 (6 controllers, x16, x8, x4, x1 operation) 8x PCIe 2.0 (8 controllers, x8, x4, x1 configuration), one lane used by onboard 1 GbE LAN controller
USB	4x USB 3.0/2.0 (3x USB 3.0/2.0 with APPROTECT Security chip - based on WIBU systems technology - populated)
SERIAL	2x serial interface (RX/TX only)
COMMON FEATURES	SPI, LPC, SMB, Fast I ² C, Staged Watchdog, RTC
BIOS	AMI UEFI
HUMIDITY	93 % relative Humidity at 40° C, non-condensing (according to IEC 60068-2-78)
ON REQUEST	Onboard SATA SSD up to 32 GByte SLC, APPROTECT Security chip - based on WIBU systems technology
POWER MANAGEMENT	ACPI 5.0
POWER SUPPLY	ATX, 8.5 V – 20 V Wide Range, Single Supply Power
SPECIAL FEATURES	Trusted Platform Module TPM 2.0,
OPERATING SYSTEM	Linux, Windows® Server 2012 / 2012 R2 / 2016, Windows® 7, Windows® 10, VxWorks 7.x
TEMPERATURE	Commercial temperature 0 °C – 60 °C (COMe-bBD7) Industrial temperature -40 °C to +85 °C (COMe-bBD7R E2)
SUPPORTED MODULES	COMe-bBD7 xxxxx commercial grade COMe-bBD7R E2 xxxxx industrial grade



GLOBAL HEADQUARTERS

KONTRON S&T AG

Lise-Meitner-Str. 3-5
86156 Augsburg, Germany
Tel.: + 49 821 4086 0
Fax: + 49 821 4086 111
info@kontron.com
www.kontron.com

X-ON Electronics

Largest Supplier of Electrical and Electronic Components

Click to view similar products for [Computer-On-Modules - COM category](#):

Click to view products by [Kontron manufacturer](#):

Other Similar products are found below :

[FP2-BP12](#) [CEM881PG-i7-5650U](#) [t2Express-HL-i5-4402E](#) [34099-0000-99-2](#) [38017-0000-00-0](#) [36024-0000-99-1](#) [34099-0000-99-0](#) [36026-0000-99-1](#) [36026-0000-99-0](#) [38017-0000-00-5](#) [36016-4000-19-4](#) [VSTK-6ULL-NFC](#) [Express-SL-i7-6820EQ](#) [W612M3A600SC](#) [24828-10724571-309](#) [30846-682](#) [ET970K-X3G](#) [UPC-PLUSX5Q-A20-0464](#) [UPC-PLUSX7-A20-08128](#) [UPC-PLUSX5D-A20-0232](#) [UPC-PLUSX7-A20-0864](#) [UPX-WHLCR-A20-04064](#) [cExpress-BL-i5-5350U](#) [cExpress-KL-i3-7100U](#) [Express-BD7-D1539](#) [Express-CF-i5-8400H](#) [Express-HLE-i3-4100E](#) [Express-IBR-i7-R-3612QE](#) [LEC-BT4-4G-8G-ER](#) [nanoX-BT-E3825-2G/8G](#) [nanoX-BT-E3845-4G](#) [Q7-BT1-2G-8G-ER](#) [ROM-3310CS-MCA1E](#) [ROM-3310WS-MCA1E](#) [Evo M51](#) [EmNANO-a56M0-210HA](#) [EmQ-i2301-E3825](#) [EmQ-i2301-E3845](#) [EmQ-i2506](#) [G552BE](#) [CEM130-V1202B](#) [CEM700-D1508](#) [ET976-1807LV-4G](#) [ET976-1202-4G](#) [ET976-1605-4G](#) [ET976-1605LV-4G](#) [ET976-1605LV-8G](#) [ET976-1807LV-8G](#) [ET976-1202LV-E4G](#)