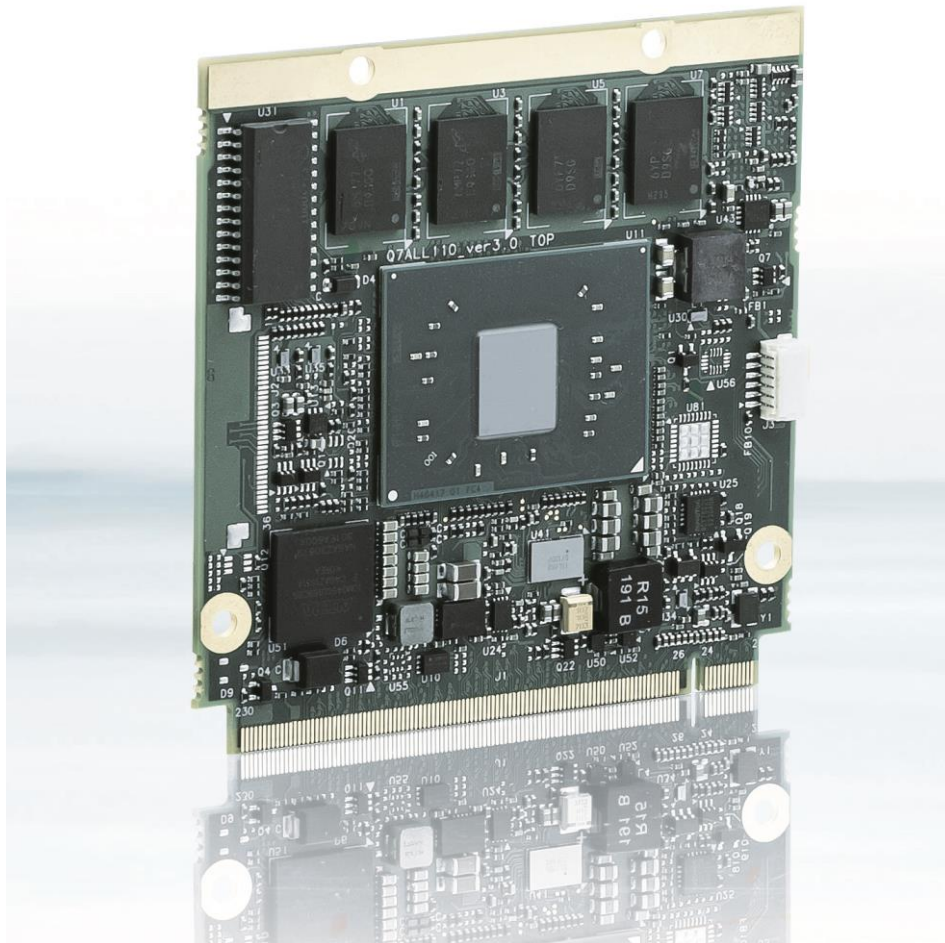


Qseven-Q7AL



LATEST GENERATION Intel® Atom™, Pentium™ and Celeron™
PROCESSOR SERIES

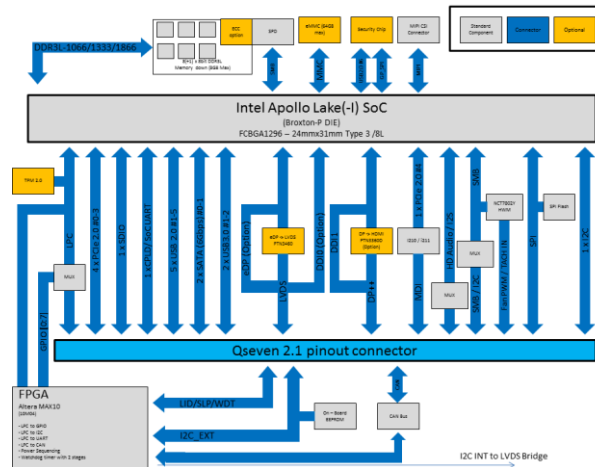
- ▶ Up to 8GB onboard DDR3L memory down (ECC / non ECC)
- ▶ Dual display support
- ▶ 2x USB 3.0, 4 x USB 2.0 (1x OTG), 2 x SATA, eMMC onboard
- ▶ Industrial grade temperature
- ▶ Support of Kontron's Embedded Security Solution (Approtect)

POSSIBILITIES START HERE



TECHNICAL INFORMATION

COMPLIANCE	Qseven Specifications 2.1
DIMENSIONS (H X W X D)	Standard Size, 70 x 70 mm
CPU	Intel® Atom™ x7-E3950, 4C, 1.6 / 2.0 GHz, 12 W TDP Intel® Atom™ x5-E3940, 4C, 1.6 / 1.8 GHz, 9.5 W TDP Intel® Atom™ x5-E3930, 2C, 1.3 / 1.8 GHz, 6.5 W TDP Intel® Pentium® N4200, 4C, 1.1 / 2.5 GHz, 6 W TDP Intel® Celeron® N3350, 2C, 1.1 / 2.4 GHz, 6 W TDP
CHIPSET	-
MAIN MEMORY	Up to 8 GByte DDR3-1867 (-1600) memory down (ECC for Atom-versions)
GRAPHICS CONTROLLER	Intel HD Gfx Gen9
ETHERNET CONTROLLER	Intel® I210IT/ I211AT
ETHERNET	10 / 100 / 1000 MBit Ethernet
STORAGE	2 x SATA 6Gb/s
FLASH ONBOARD	Up to 32GB eMMC 5.0
PCI EXPRESS® SUPPORT	4 x PCIe 2.0
PANEL SIGNAL	1 x DP ++ (on request HDMI), 1 x LVDS dual channel (on request eDP + DP)
USB	2 x USB 3.0 (incl. USB 2.0), 4 x USB 2.0, alternatively USB #1 as OTG
SERIAL	1 x Serial Interface (RX, TX, RTS, CTS)
OTHERS	HD Audio and I2S, 1x I2C, 1x SPI, Camera Interface (2x MIPI CSI), 1x LPC (Muxed with GPIO [0:7]), 1 x CAN
SPECIAL FEATURES	Trusted Platform Module TPM 2.0 (On-request) Security Chip (Support of Kontron Aprotect, On-Request) Industrial Temperature Grade versions
FEATURES ON REQUEST	eMMC 5.0 Flash onboard (up to 64 GByte SLC, up to 128 GByte MLC) eDP + DP instead of LVDS, HDMI instead of DP
BIOS	AMI Aptio V
OPERATING SYSTEM	Windows® 10, Enterprise, Linux
POWER SUPPLY	5 V power supplies
TEMPERATURE	Qseven-Q7AL: Commercial temperature: 0 °C to +60 °C operating, -30 °C to +85 °C non-operating Qseven-Q7ALi E2: Industrial temperature: -40 °C to +85 °C operating, -40 °C to +85 °C non-operating
HUMIDITY	93 % relative Humidity at 40 °C, non-condensing (according to IEC 60068-2-78)



CORPORATE OFFICES

EUROPE, MIDDLE EAST

Lise-Meitner-Str. 3-5
86156 Augsburg
Germany
Tel.: + 49 821 4086 0
Fax: + 49 821 4086 111
info@kontron.com

NORTH AMERICA

9477 Waples Street
San Diego, CA 92121
USA
Tel.: + 1 888 294 4558
Fax: + 1 858 677 0898
info@us.kontron.com

ASIA PACIFIC & AFRICA

Plot 554 Lorong Perusahaan,
Prai Free Trade Zone,
Penang 13600,
Malaysia
Tel.: +604 377 7178
Fax: +604 380 8182

X-ON Electronics

Largest Supplier of Electrical and Electronic Components

Click to view similar products for [Computer-On-Modules - COM category](#):

Click to view products by [Kontron manufacturer](#):

Other Similar products are found below :

[FP2-BP12](#) [CEM881PG-i7-5650U](#) [t2Express-HL-i5-4402E](#) [34099-0000-99-2](#) [38017-0000-00-0](#) [36024-0000-99-1](#) [34099-0000-99-0](#) [36026-0000-99-1](#) [36026-0000-99-0](#) [38017-0000-00-5](#) [36016-4000-19-4](#) [VSTK-6ULL-NFC](#) [Express-SL-i7-6820EQ](#) [W612M3A600SC](#) [24828-10724571-309](#) [30846-682](#) [ET970K-X3G](#) [UPC-PLUSX5Q-A20-0464](#) [UPC-PLUSX7-A20-08128](#) [UPC-PLUSX5D-A20-0232](#) [UPC-PLUSX7-A20-0864](#) [UPX-WHLCR-A20-04064](#) [cExpress-BL-i5-5350U](#) [cExpress-KL-i3-7100U](#) [Express-BD7-D1539](#) [Express-CF-i5-8400H](#) [Express-HLE-i3-4100E](#) [Express-IBR-i7-R-3612QE](#) [LEC-BT4-4G-8G-ER](#) [nanoX-BT-E3825-2G/8G](#) [nanoX-BT-E3845-4G](#) [Q7-BT1-2G-8G-ER](#) [ROM-3310CS-MCA1E](#) [ROM-3310WS-MCA1E](#) [Evo M51](#) [EmNANO-a56M0-210HA](#) [EmQ-i2301-E3825](#) [EmQ-i2301-E3845](#) [EmQ-i2506](#) [G552BE](#) [CEM130-V1202B](#) [CEM700-D1508](#) [ET976-1807LV-4G](#) [ET976-1202-4G](#) [ET976-1605-4G](#) [ET976-1605LV-4G](#) [ET976-1605LV-8G](#) [ET976-1807LV-8G](#) [ET976-1202LV-E4G](#)