

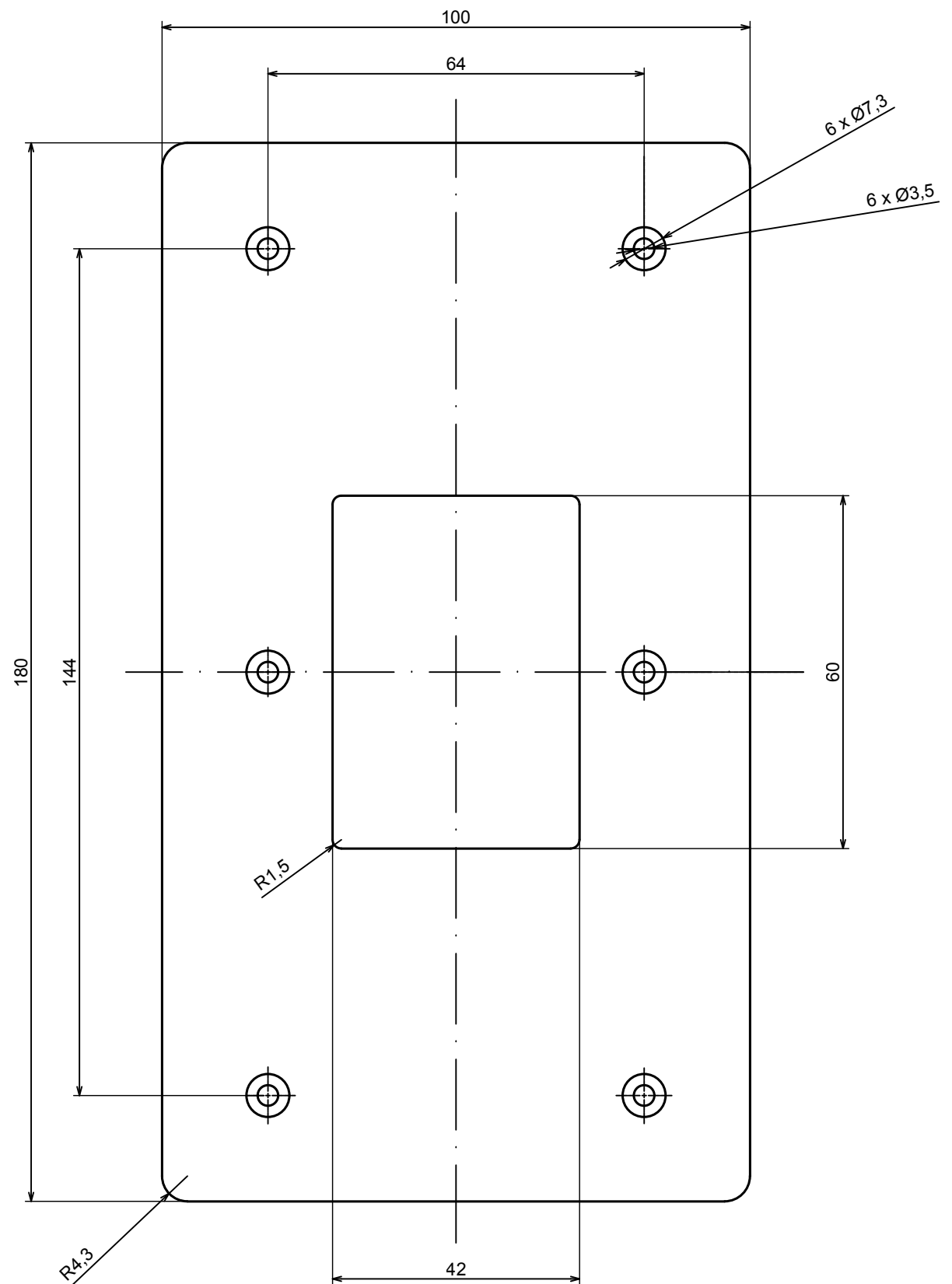
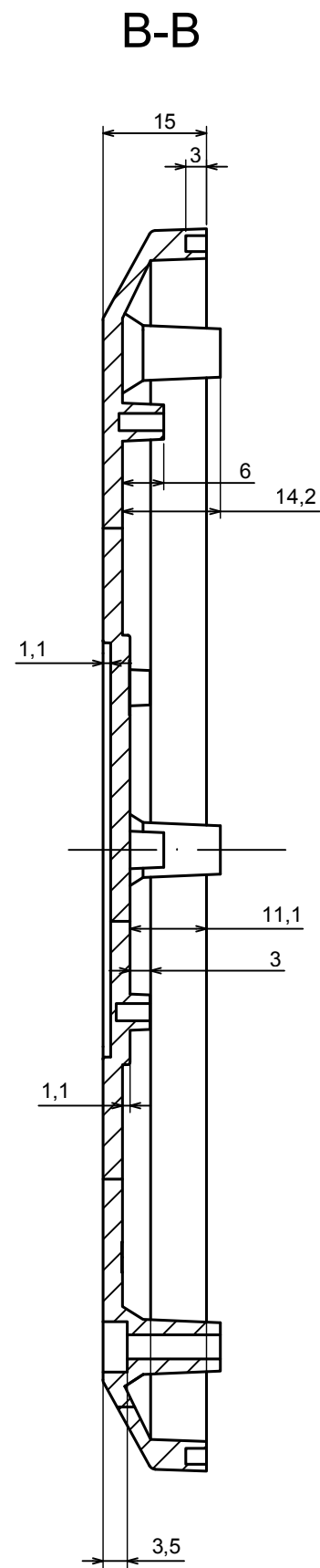
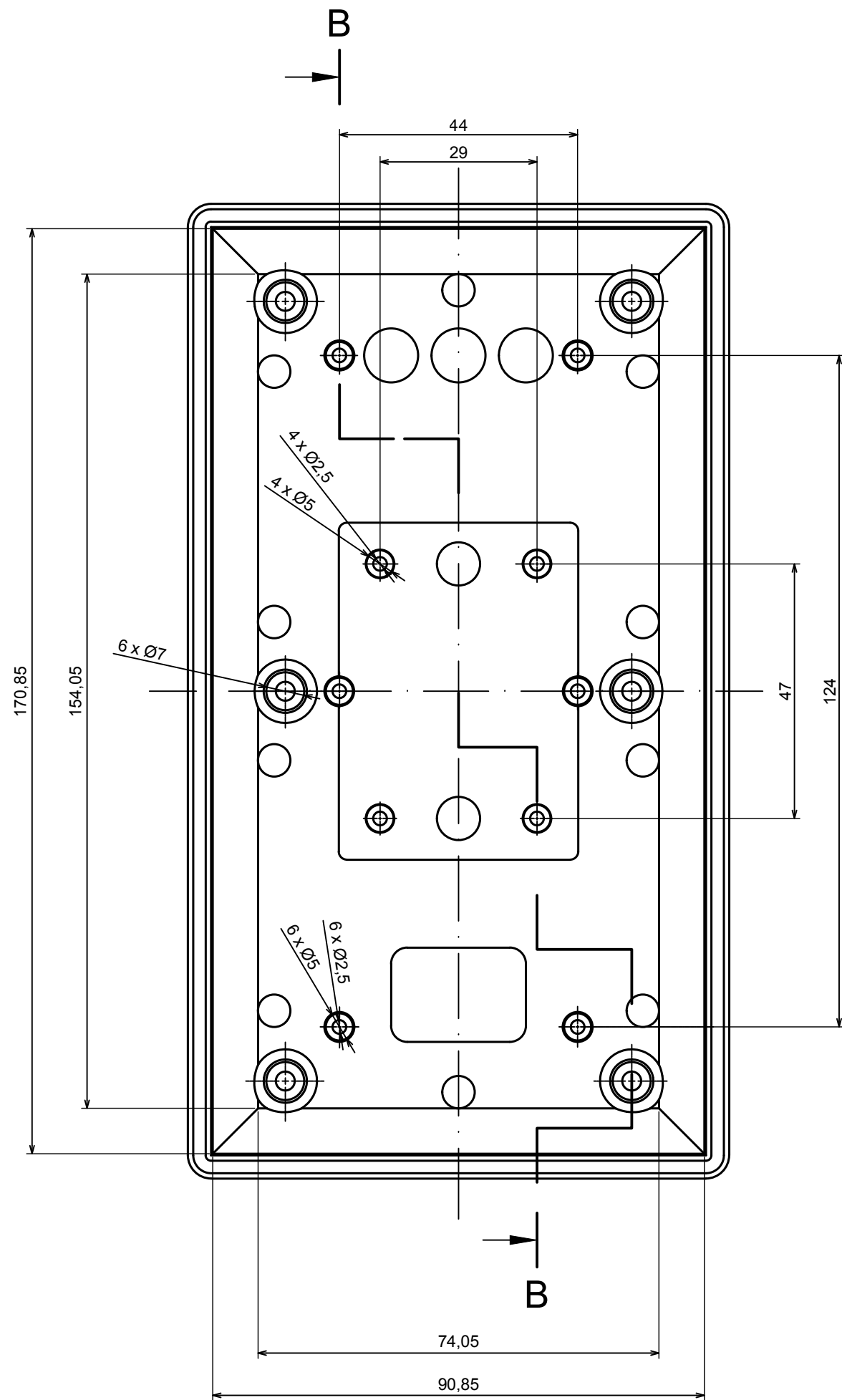
All rights reserved. Copyright Kradox 2022


Product model Z133 - Assembly

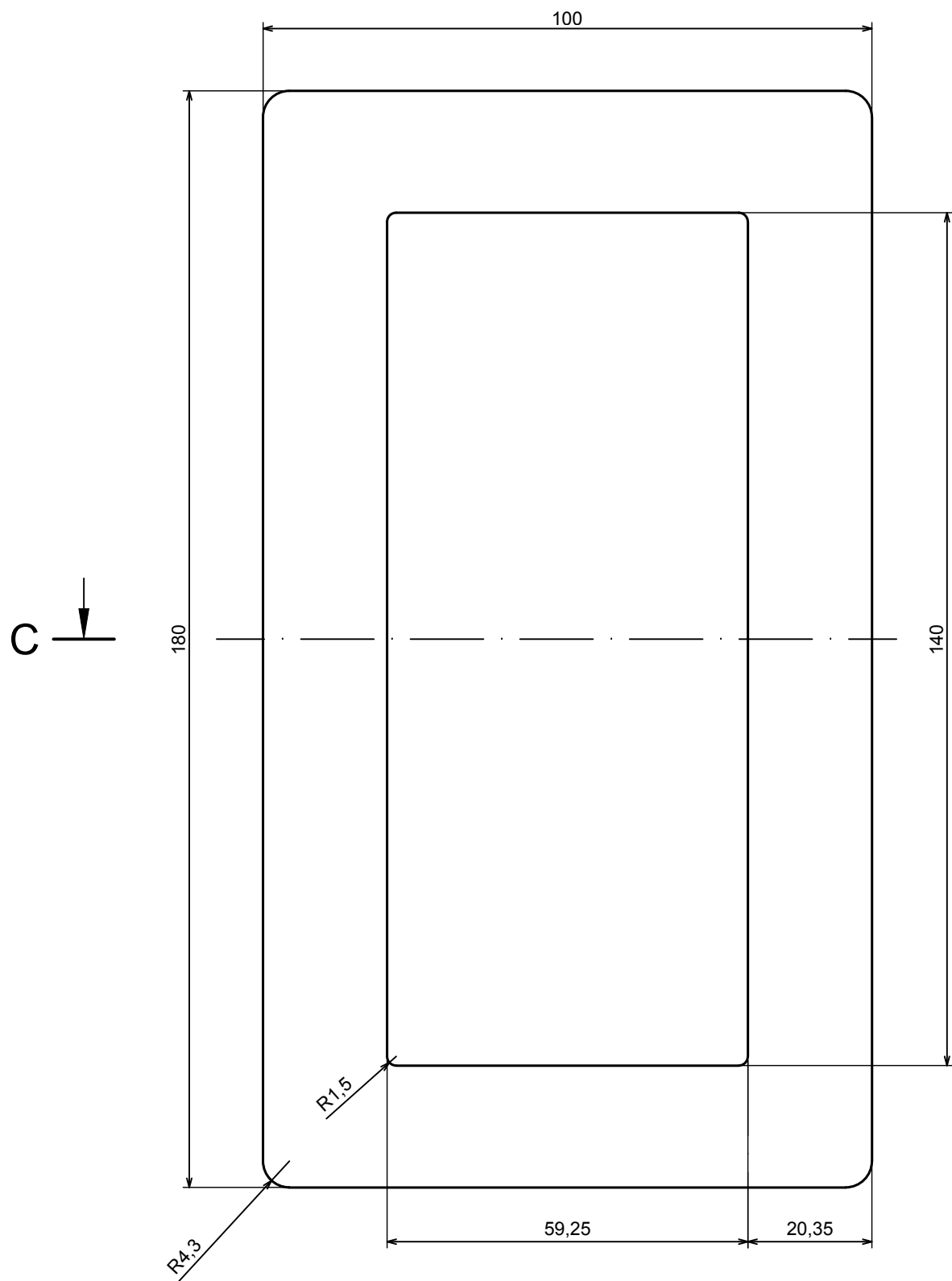
Format: A3 Material: ABS

Scale 1:1 Tolerance: +/- 0,3

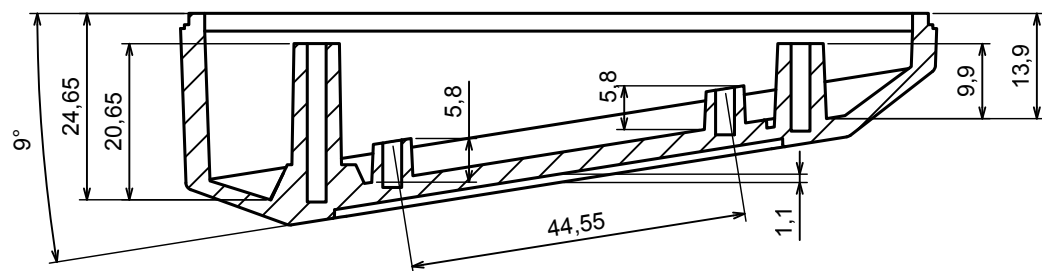
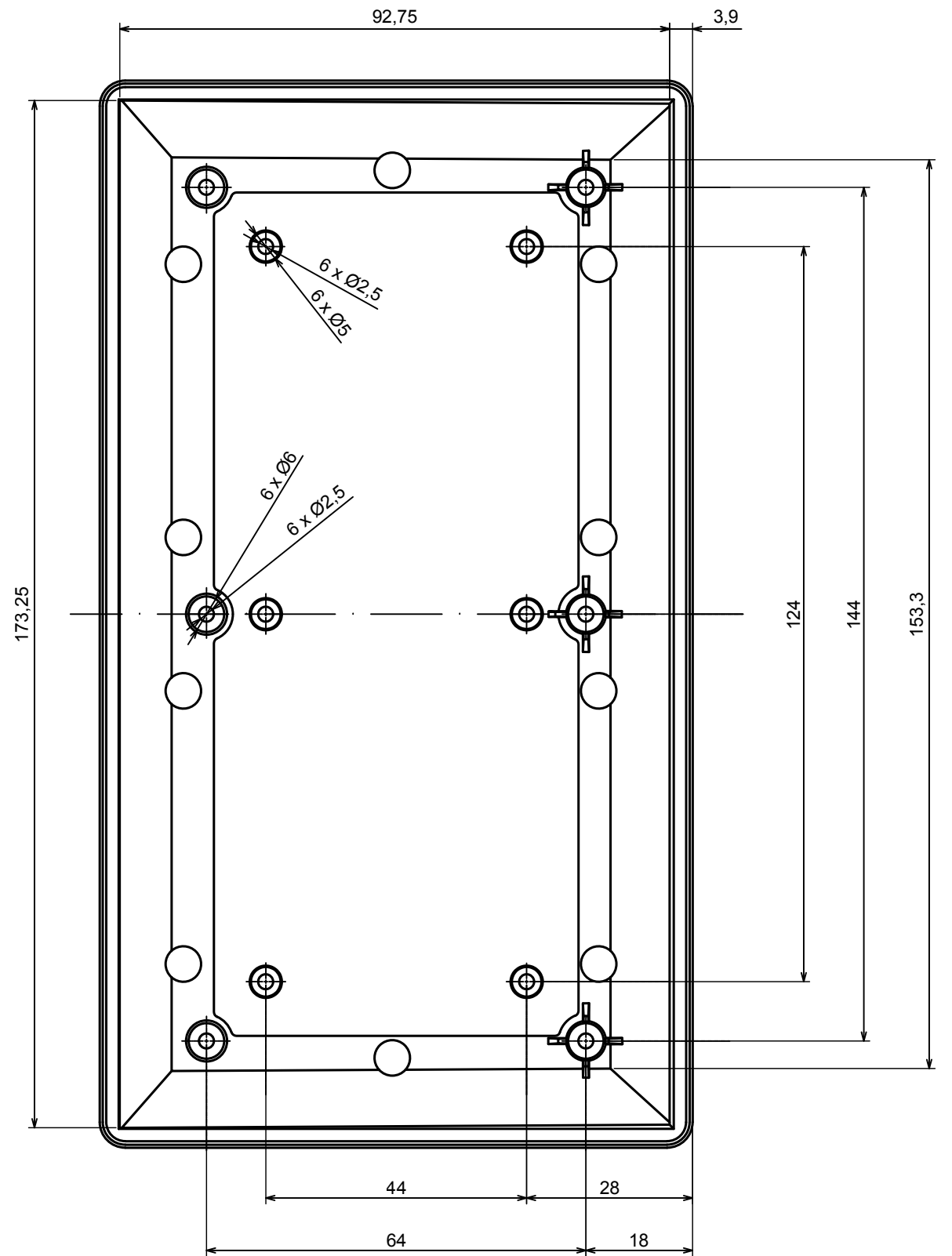
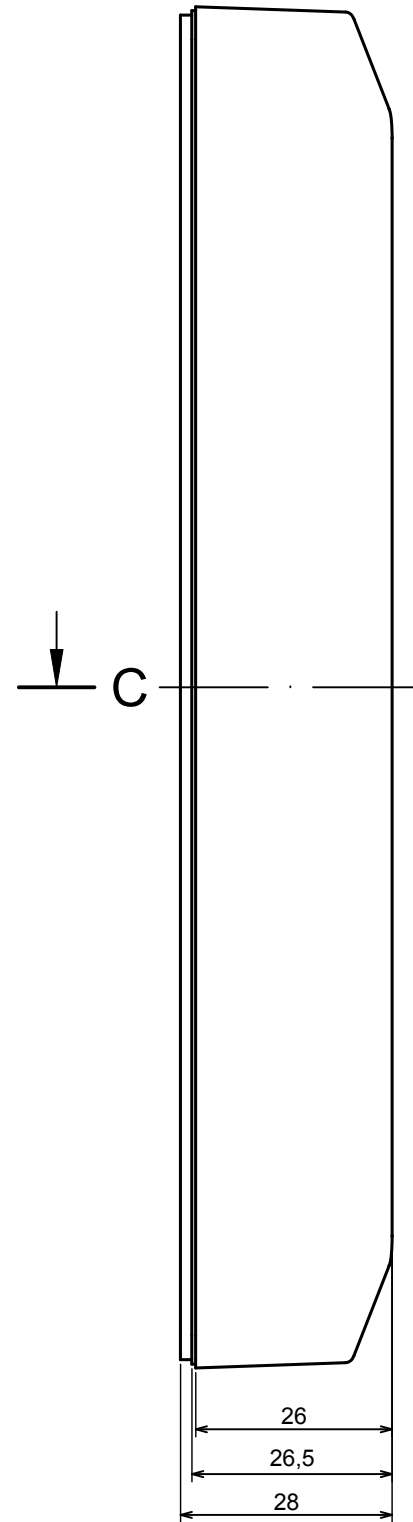





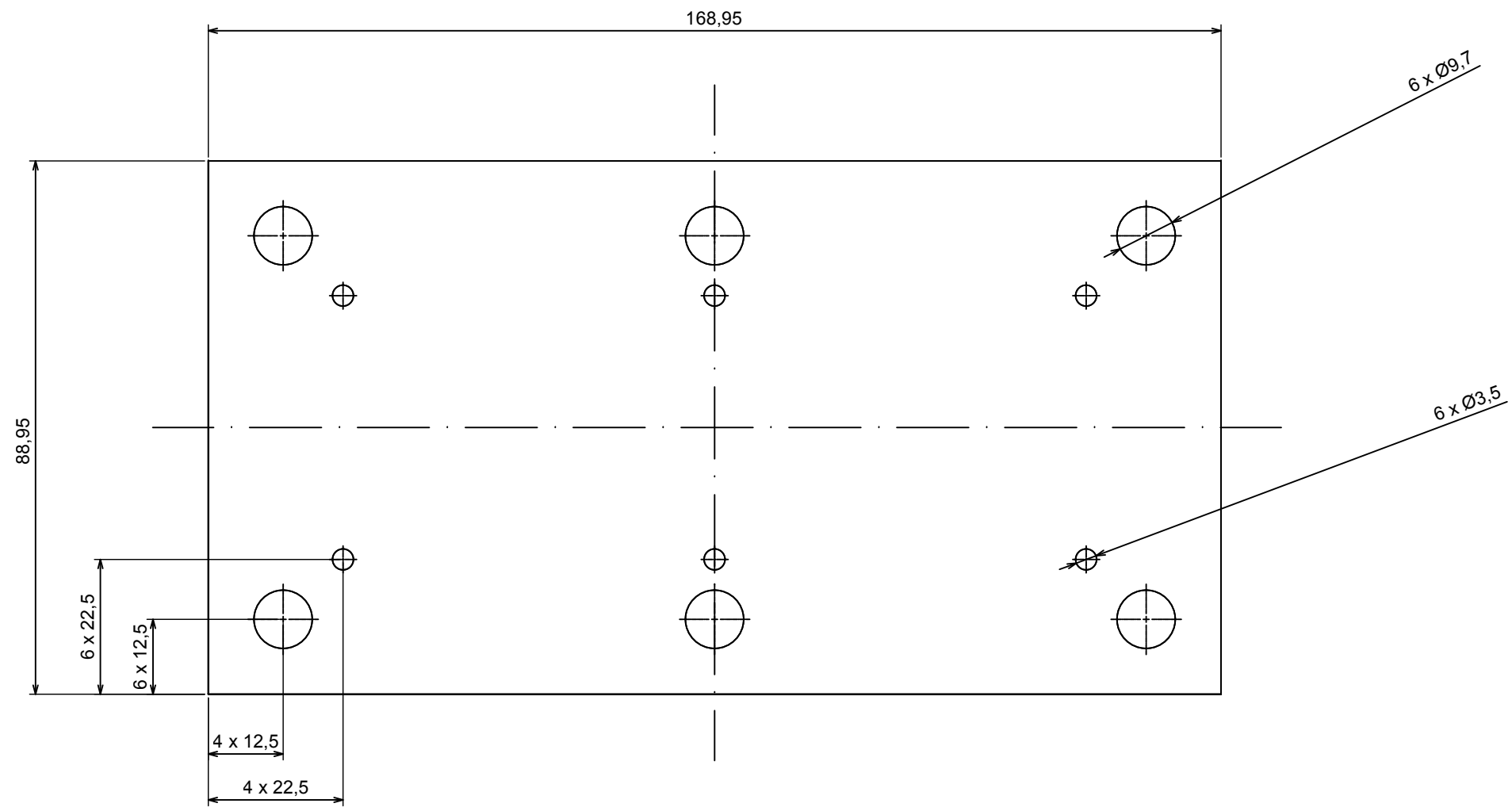
| | | |
|--|--------------------|---|
| All rights reserved. Copyright Kradox 2022 | | |
| Product model | Z133 - Base | |
| Format: A3 | Material: ABS |  |
| Scale 1:1 | Tolerance: +/- 0,3 | |




C-C

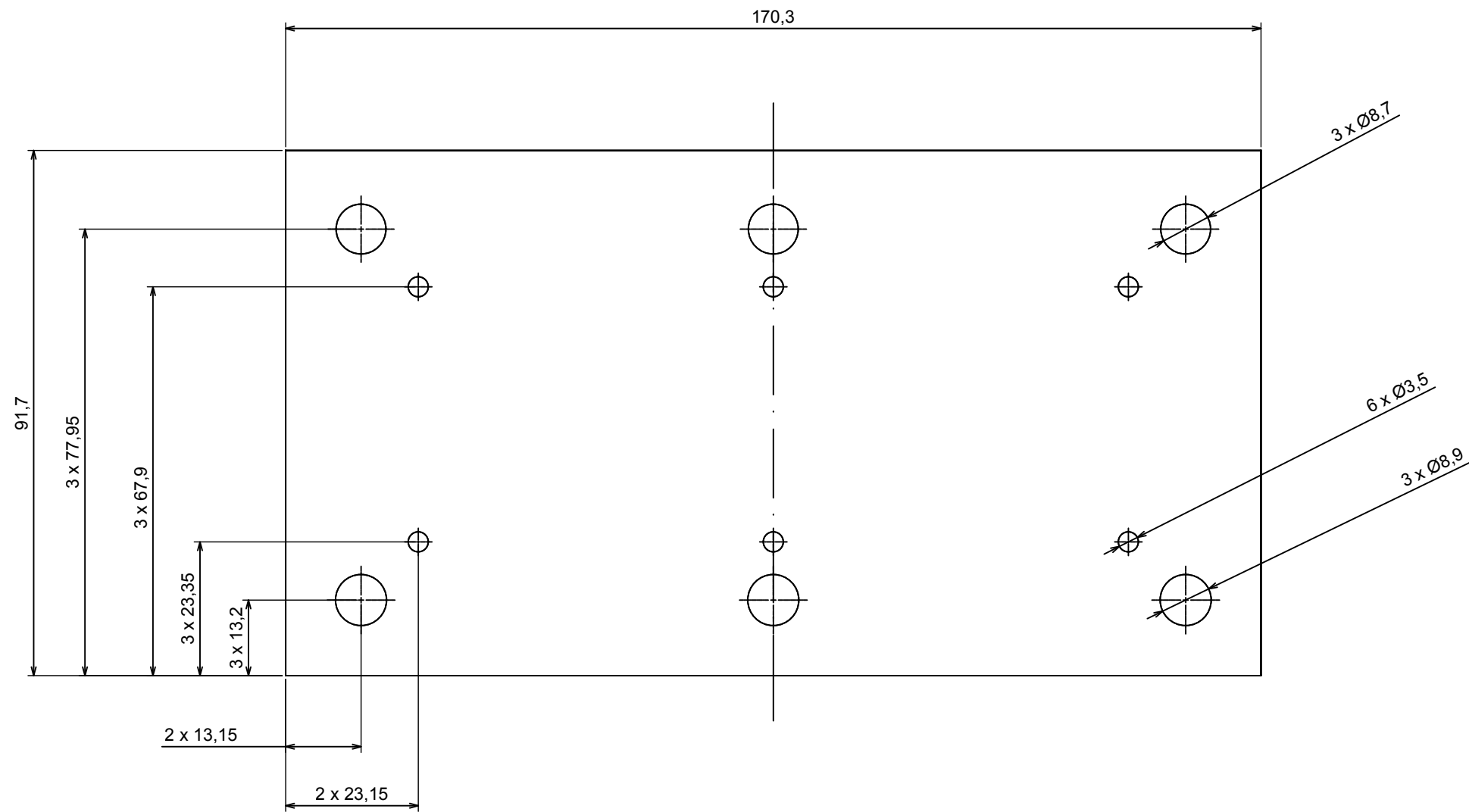


| | | |
|--|--------------------|---|
| All rights reserved. Copyright Kradex 2022 | | |
| Product model | Z133 - Cover | |
| Format: A3 | Material: ABS |  |
| Scale 1:1 | Tolerance: +/- 0,3 | |




Sample PCB maximum dimensions (not included)

| | | |
|--|--------------------|---|
| All rights reserved. Copyright Kradox 2022 | | |
| Product model | Z133 - Base PCB | |
| Format: A3 | Material: laminate |  |
| Scale 1:1 | Tolerance: +/- 1 | |



Sample PCB maximum dimensions (not included)

| | | |
|--|--------------------|---|
| All rights reserved. Copyright Kradox 2022 | | |
| Product model | Z133 - Cover PCB | |
| Format: A3 | Material: laminate |  |
| Scale 1:1 | Tolerance: +/- 1 | |

X-ON Electronics

Largest Supplier of Electrical and Electronic Components

Click to view similar products for [Electrical Enclosure Accessories](#) category:

Click to view products by [Kradex](#) manufacturer:

Other Similar products are found below :

[1307GSKTSC](#) [BAS-5104](#) [CB-1263-BT](#) [60121-04-028 C-275 Black](#) [AXX2POSTBRCKT](#) [1317GSKTSC](#) [GN 967-20-40-F-1-ZB](#) [GN 967-45-45-L-2-ZB](#) [52100620](#) [52100623](#) [53801100](#) [53801105](#) [53801125](#) [430081](#) [430086](#) [AXX2POSTBRCKT 918808](#) [GN 4490-ZD-38-1-SR](#) [GN 4490-ZD-68-2-SW](#) [GN 4490-ZD-80-1-SR](#) [USPE-15.04](#) [UT-33.3](#) [DIN 7603-AL-8-11,5-A](#) [DIN 7603-CU-20-24-A](#) [8G504M4X6.4N 01-0016.00X2.5 ORING 75FPM BROWN](#) [01-0021.00X2.5 ORING 80FPM BROWN](#) [01-0007.52X3.53 ORING 80FPM BROWN*](#) [FG13LH15A700S11](#) [PP070N-S](#) [PP071N-S](#) [PP062W-S](#) [PP084N-S](#) [PP105L-S](#) [PP105N-S](#) [KM-320G](#) [KM-340G](#) [35112075.HMT1](#) [ATPH-IP 2385-0150_ALU-TOPLINE SET](#) [Z133JH ABS](#) [35116075.HMT1](#) [35122075.HMT1](#) [35116076.HMT1](#) [BOPAD BOP 10.1 P-9005-SET](#) [Z133H ABS](#) [35112076.HMT1](#) [BOPAD BOP 7.0 P-9016-SET](#) [Z133BH ABS](#) [ATPH-IP 2385-0200_ALU-TOPLINE SET](#) [ATPH-IP 2385-0265_ALU-TOPLINE SET](#) [Z133B ABS](#)