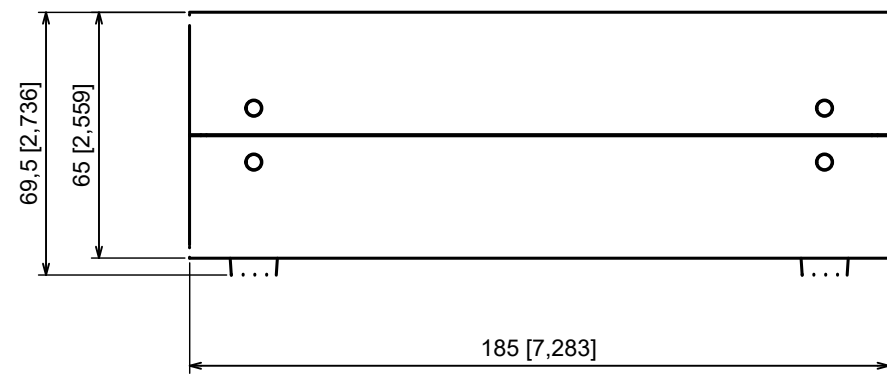
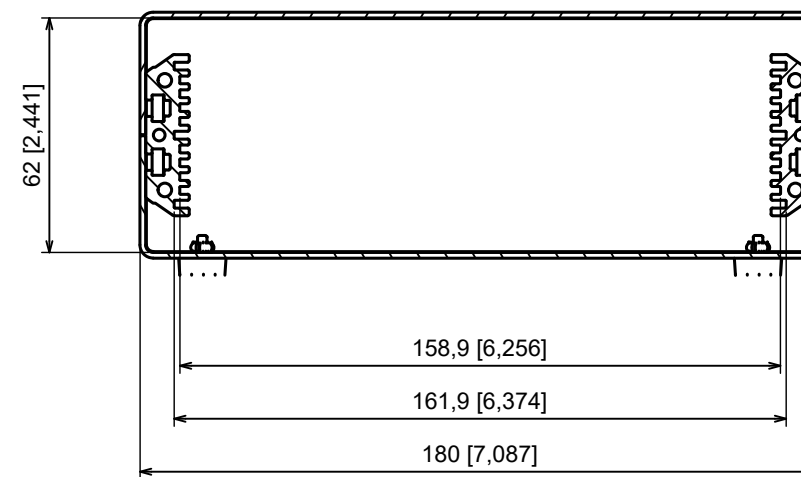


A |



A |

A-A



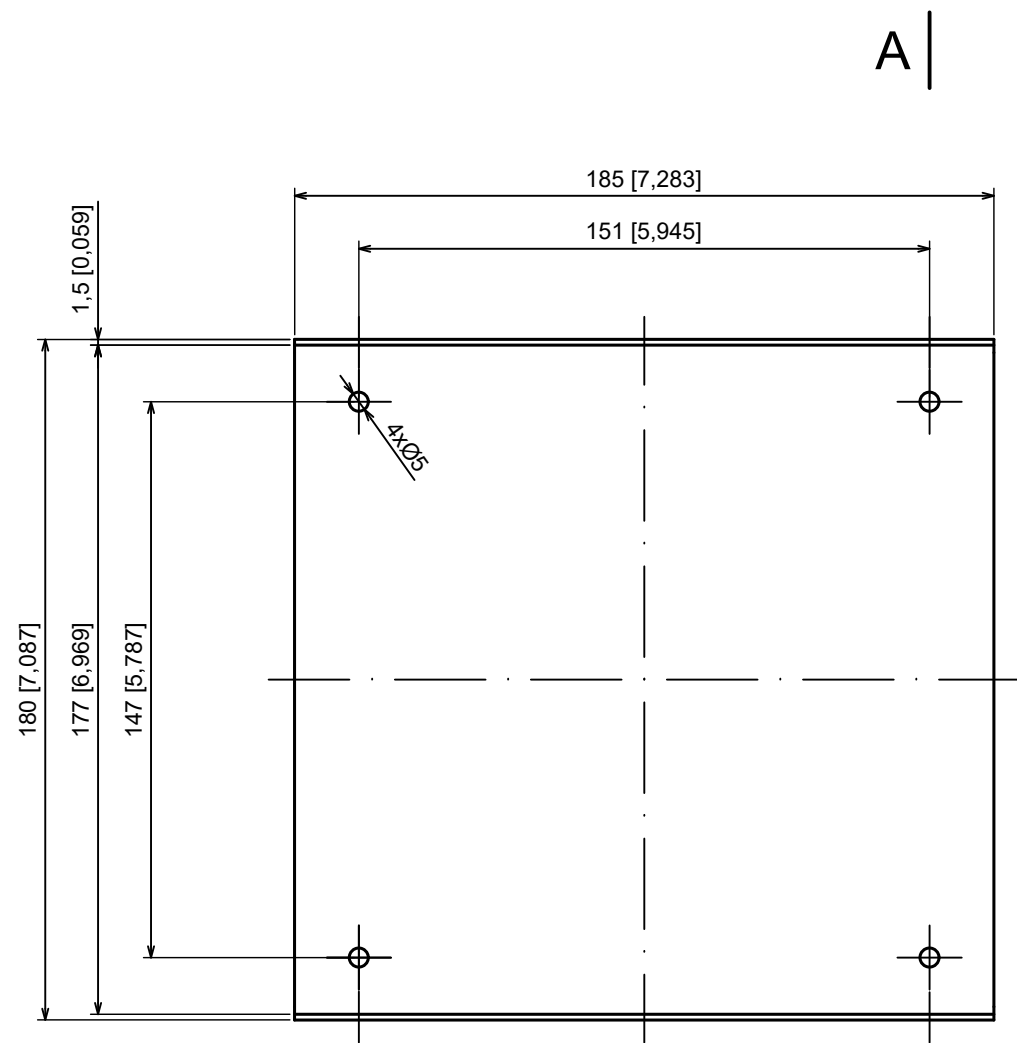
All rights reserved, Copyright Kradex 2023

Product model Enclosure ZR185.180.65 - Assembly

Format: A3 Material: Al

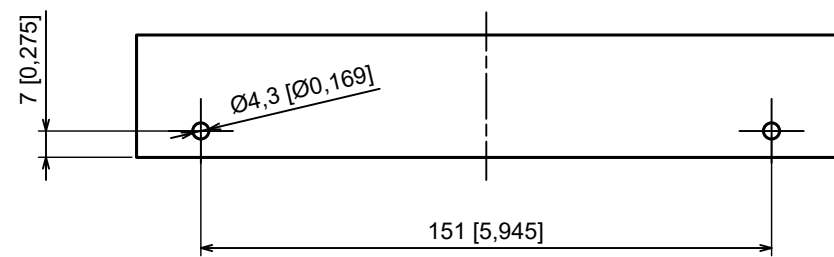
Scale 1:2 Tolerance: +/- 0.5



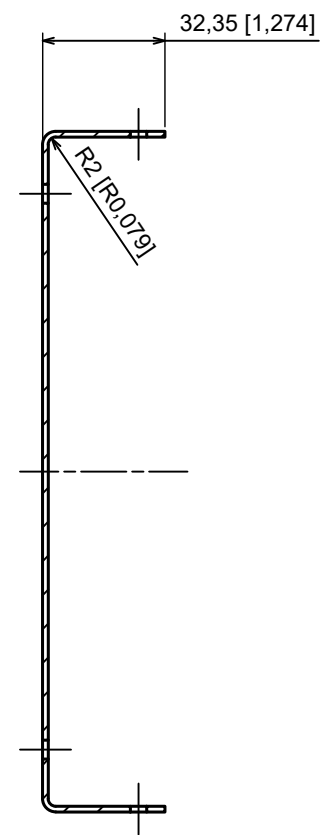


A |

A |



A-A



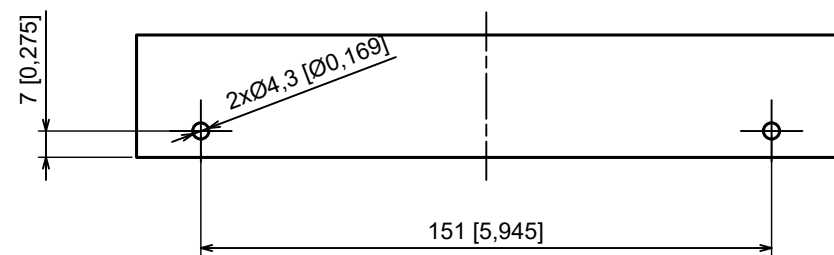
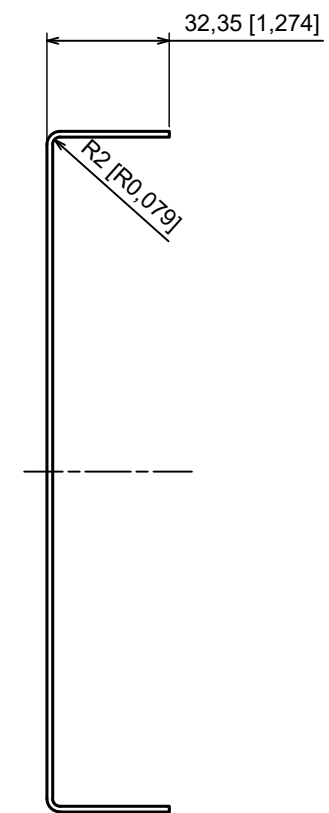
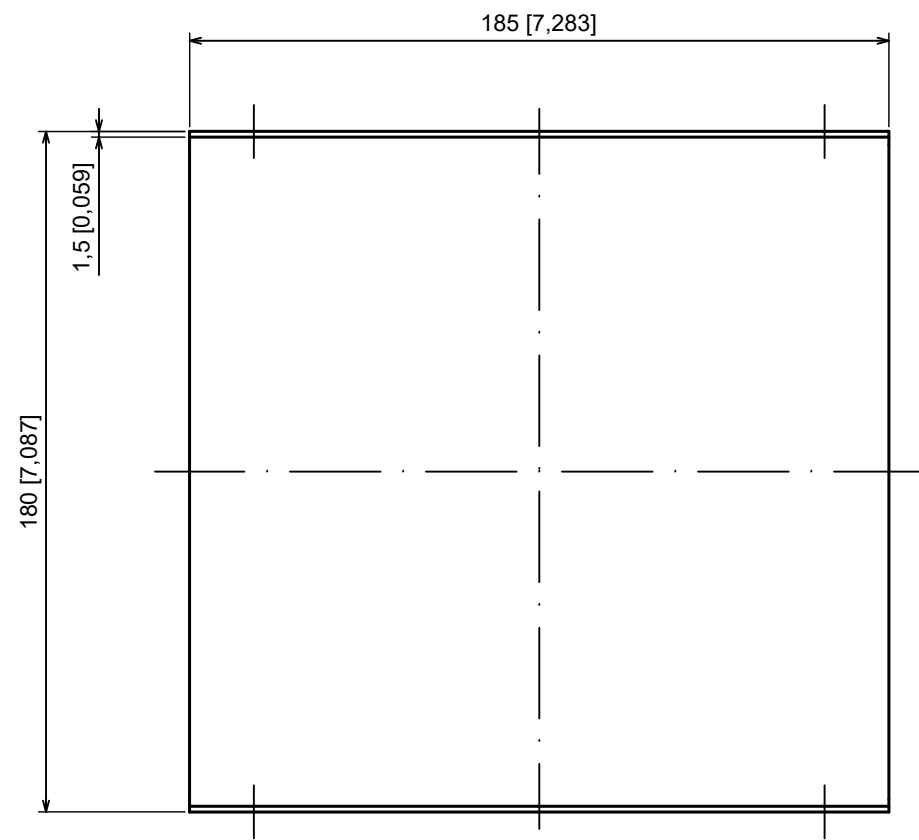
All rights reserved, Copyright Kradox 2023

Product model Enclosure ZR185.180.65 - Base

Format: A3 Material: Al

Scale 1:2 Tolerance: +/- 0.5





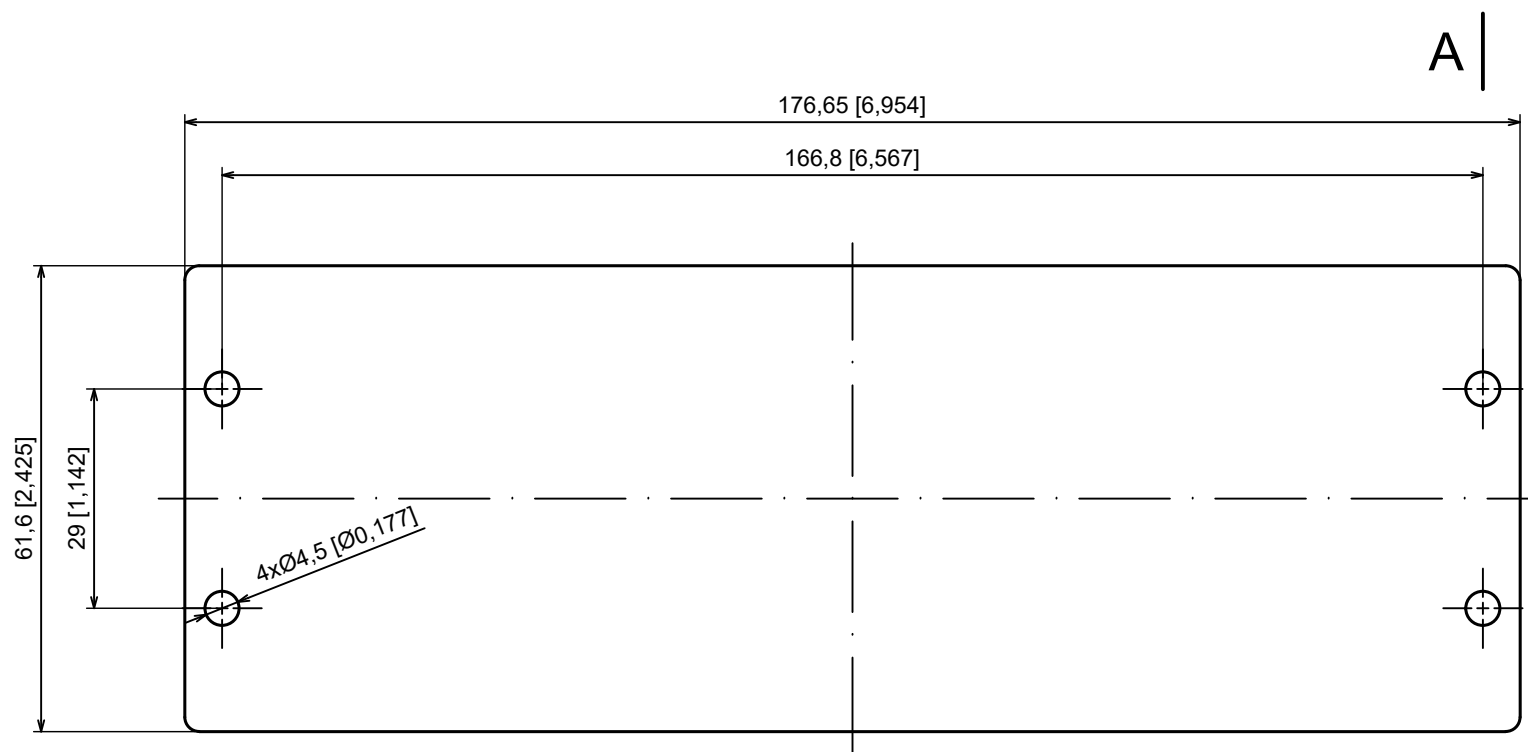
All rights reserved, Copyright Kradox 2023

Product model Enclosure ZR185.180.65 - Cover

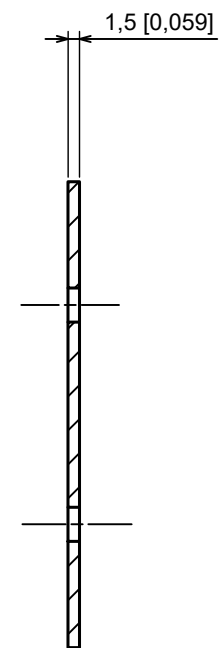
Format: A3 Material: Al

Scale 1:2 Tolerance: +/- 0.5





A-A



A

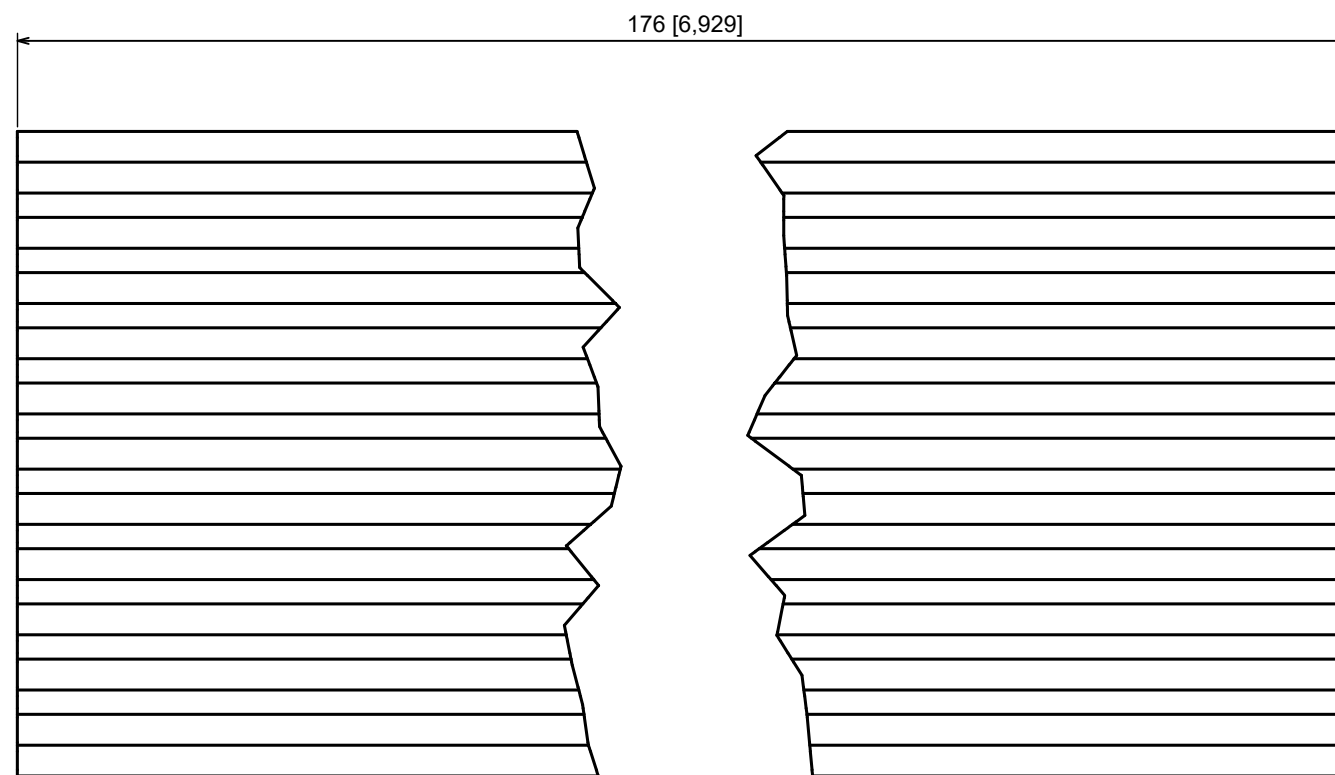
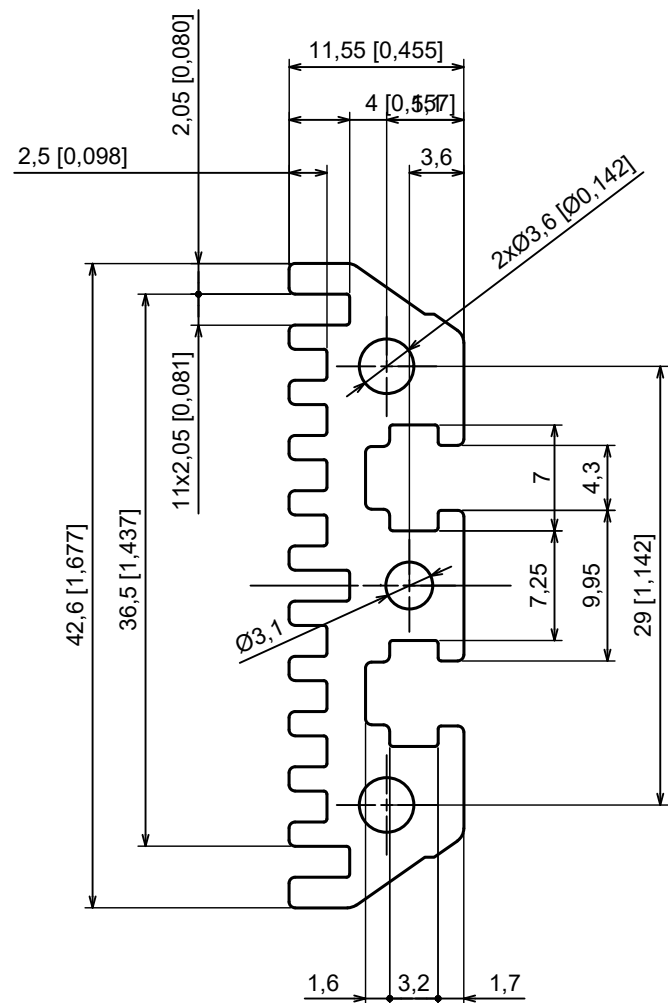
All rights reserved, Copyright Kradox 2023


Product model Enclosure ZR185.180.65 - Front Panel

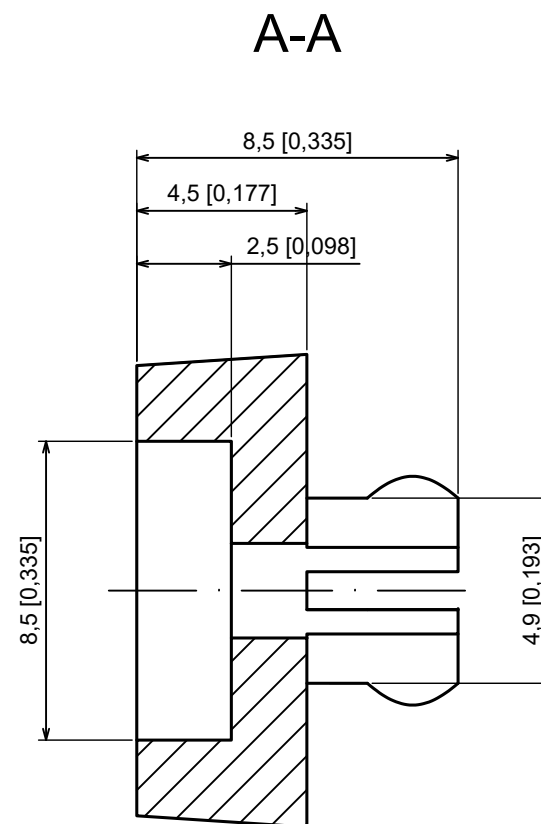
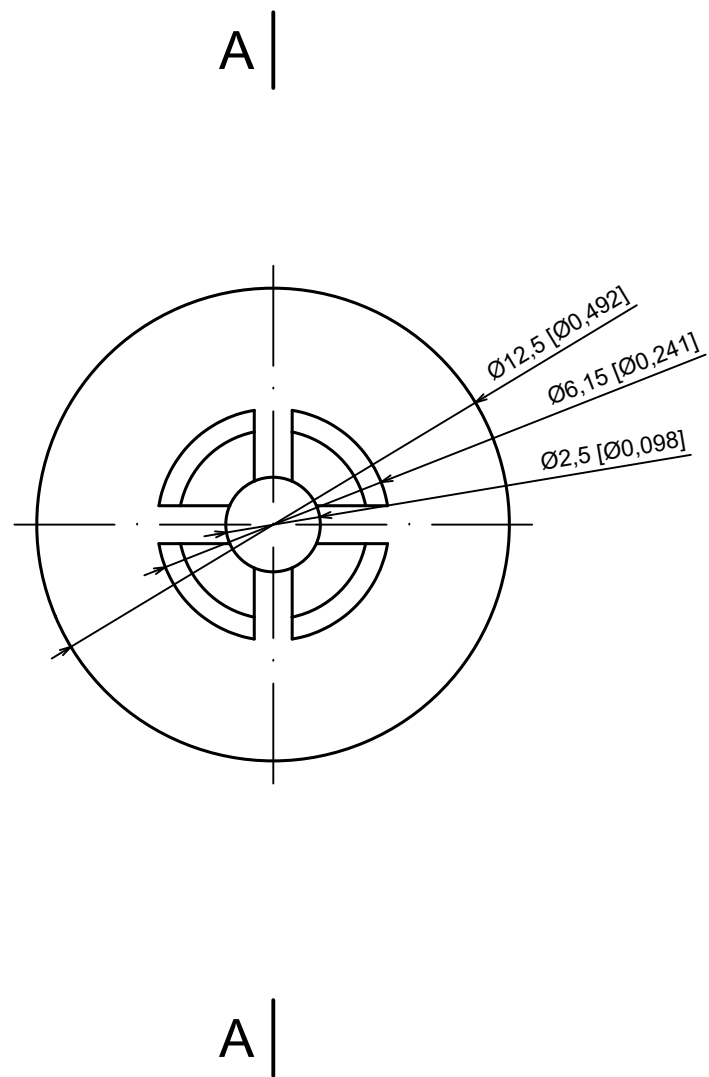
Format: A3 Material: Al


Scale 1:1 Tolerance: +/- 0.5

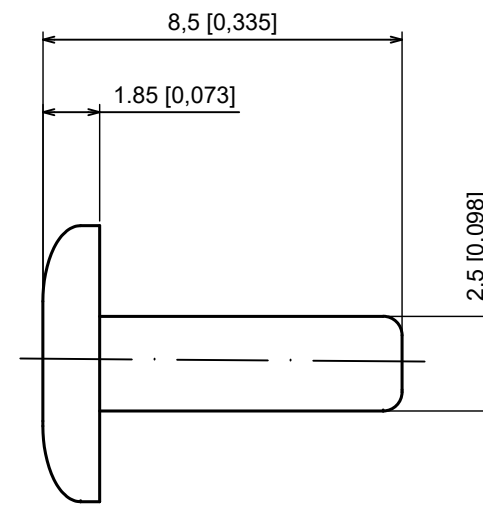
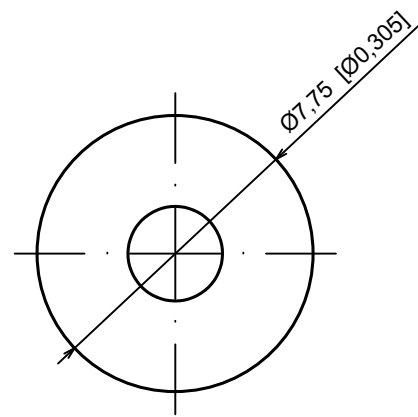




All rights reserved, Copyright Kradox 2023		
Product model	Enclosure ZR185.180.65 - Rail	
Format: A3	Material: Al	
Scale 2:1	Tolerance: +/- 0.5	



All rights reserved, Copyright Kradox 2023		
Product model	Enclosure ZR185.180.65 - Foot	
Format: A3	Material: PE	
Scale 5:1	Tolerance: +/- 0.5	



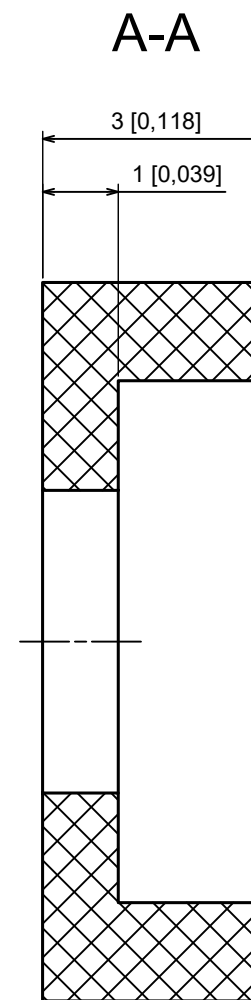
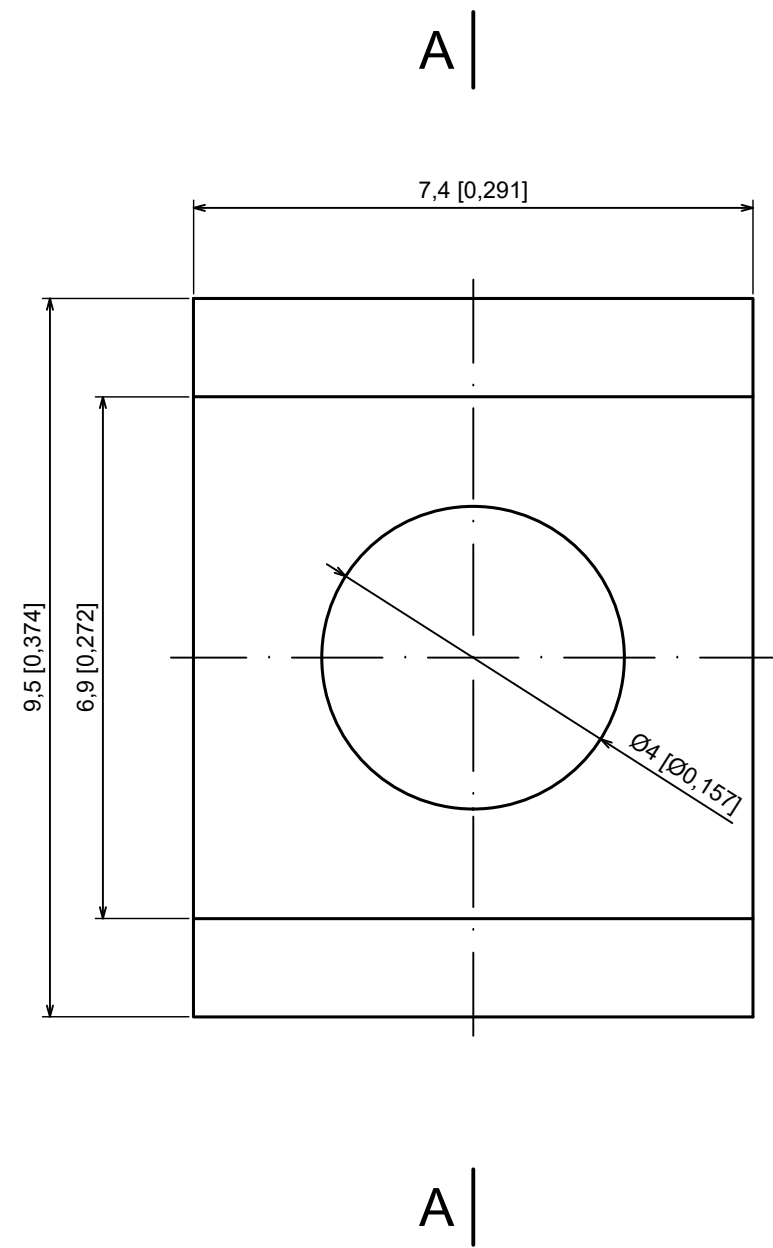
All rights reserved, Copyright Kradox 2023

Product model Enclosure ZR185.180.65 - Pin

Format: A3 Material: PP

Scale 5:1 Tolerance: +/- 0.5





All rights reserved, Copyright Kradox 2023

Product model	Enclosure ZR185.180.65 - Rubber Pad
---------------	-------------------------------------

Format: A3	Material: Rubber
------------	------------------

Scale 10:1	Tolerance: +/- 0.5
------------	--------------------



X-ON Electronics

Largest Supplier of Electrical and Electronic Components

Click to view similar products for [Enclosures, Boxes & Cases](#) category:

Click to view products by [Kradex](#) manufacturer:

Other Similar products are found below :

[M-10-PLATED](#) [60221-01](#) [M17-L-PLN](#) [M-21-PLATED](#) [63310-01-000](#) [6711GSKT](#) [90026-501-000](#) [PS36-200](#) [120-407](#) [138-PLAIN](#) [144011](#)
[EAS-500 \(BLACK ANO\)](#) [2062750000](#) [KAB3421](#) [A0645271](#) [1928952](#) [2106-IR](#) [2792057](#) [2906241](#) [2906254](#) [2907981](#) [H5031](#) [CU-284](#)
[MDC-532-PLAIN-ALUM](#) [B137](#) [5400TN](#) [UNC 2-4-6 PLAIN](#) [462-0020E](#) [0542100012](#) [043853](#) [103031](#) [11416P](#) [KR8-315](#) [UM-SE-A73-R](#)
[BK](#) [2202158](#) [TUF 55 25 100 ME](#) [332-907](#) [4122](#) [52213](#) [24560-245](#) [736-409](#) [144012](#) [61-9480.6](#) [134573](#) [M18-L-PLTD](#) [73095-510-000](#)
[CNM-0303 Black](#) [S3A-453213-S](#) [ALUG702RD040-IR](#) [07.6370000](#) [P/4.2](#)