

# KSH Series

## Soft Feeling High Tactile SMT Top Actuated

### Features/Benefits

- 6.3 x 6.3 x 5.0 mm footprint
- Low contact resistance
- High number of cycles
- 2 or 4 pin PCB layout

### Typical Applications

- Automotive Interior
- Car AV equipment
- Electronic musical instrument



### Specifications

FUNCTION: momentary action  
 CONTACT ARRANGEMENT: 1 make contact = SPST N.O.  
 TERMINALS: J type for SMT  
 TRAVEL: 1.3 ± 0.2 mm

### Mechanical

Part Number	Operating Force (N)	Operating Life (operations)
KSH X11J 50 LFS	1.6 ± 0.5	200,000
KSH X21J 50 LFS	2.0 ± 0.6	200,000
KSH X31J 50 LFS	2.5 ± 0.8	200,000
KSH X41J 50 LFS	3.0 ± 1.0	200,000
KSH X51J 50 LFS	3.5 ± 1.2	100,000

### Electrical

MAXIMUM / MINIMUM VOLTAGE: 12 VDC / 2 VDC  
 MAXIMUM / MINIMUM CURRENT DC: 50 mA / 10 µA  
 DIELECTRIC STRENGTH: 250 VA C (1mn)  
 CONTACT RESISTANCE: ≤ 100 mΩ  
 INSULATION RESISTANCE: ≥ 100 MΩ  
 BOUNCE TIME: ≤ 10 ms

### Environmental

OPERATING TEMPERATURE: -40°C to 90°C

### Process

SOLDERING: This component is suited to the following methods:  
 Infrared Reflow Soldering in accordance with IEC61760-1

### Packaging

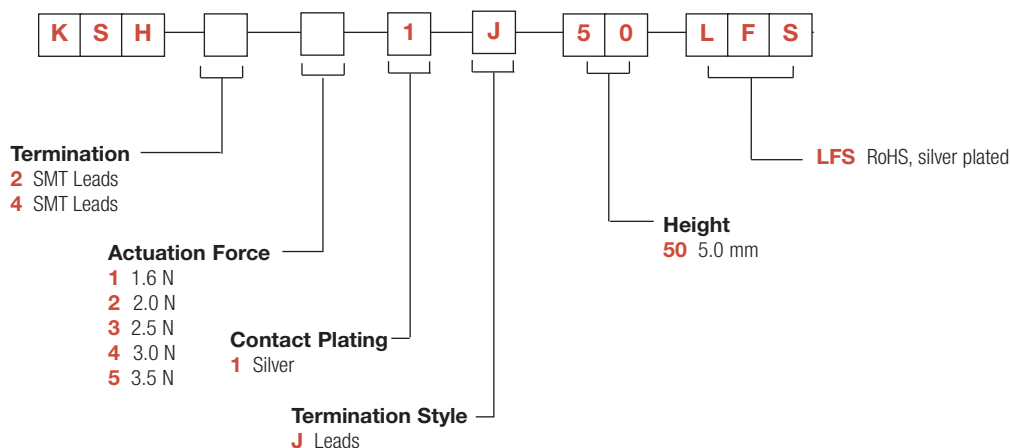
In reels of 1,000 pieces  
 Dimensions of reels according to EIA 481B  
 External diameter 330 mm

**NOTE:** Specifications listed above are for switches with standard options.  
 For information on specific and custom switches, consult Customer Service Center.

### How To Order

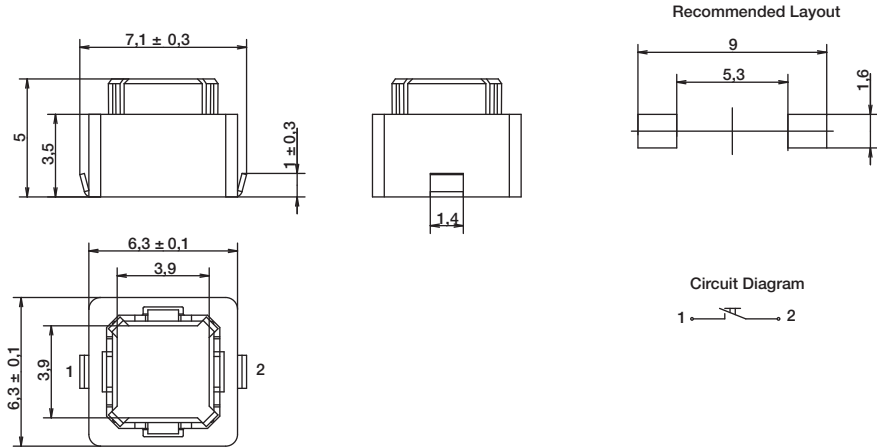
Our easy build-a-switch concept allows you to mix and match options to create the switch you need. To order, select desired option from each category and place it in the appropriate box.

**For any part number different from those listed above, please consult your local representative.**

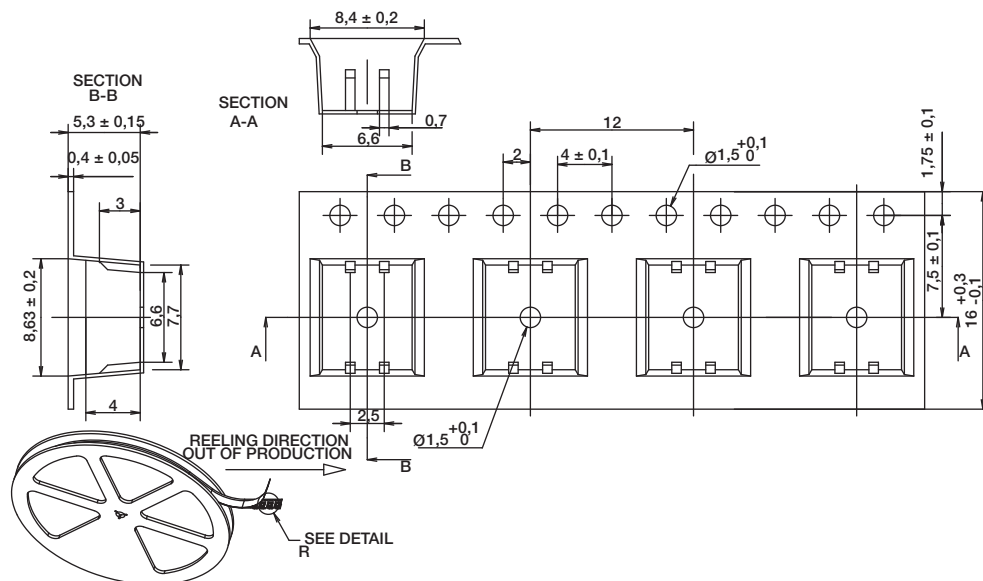
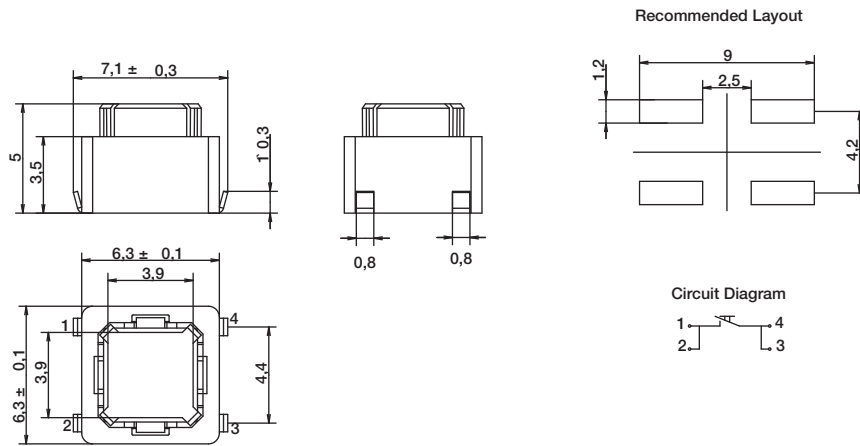


# KSH Series Soft Feeling High Tactile SMT Top Actuated

## KSH2



## KSH4



## X-ON Electronics

Largest Supplier of Electrical and Electronic Components

*Click to view similar products for [Tactile Switches](#) category:*

*Click to view products by [C&K](#) manufacturer:*

Other Similar products are found below :

[KMR633NG](#) [LFG](#) [5GTH9202242](#) [6426-201-11343](#) [MJ1226](#) [MJTP1109B](#) [MJTP1138EAUTR](#) [MJTP1230BL](#) [MJTPSHW](#) [GS6.90F300QP](#) [1-1977223-0](#) [1-1977120-4](#) [ADTSA62NV](#) [ADTSA62RV](#) [ADTSA63KV](#) [ADTSA644NV](#) [ADTSM24NVTR](#) [ADTSMW66NV](#) [ADTSMW67RV](#) [ATM533VTR](#) [1571300-3](#) [B3F-3123](#) [B3F-6055A](#) [B3F-B32-01-KIT](#) [1977177-8](#) [1977266-1](#) [2-1977223-4](#) [2-1977223-7](#) [ADTS644KV](#) [ADTSA61RV](#) [ADTSA62KV](#) [ADTSA63NV](#) [ADTSA63RV](#) [ADTSA65NV](#) [ADTSM21NSVTR](#) [ADTSM25RVTR](#) [ADTSM31RVTR](#) [ADTSM32NVTR](#) [ADTSM61YVTR](#) [ADTSM63SVTR](#) [ADTSM644KVTR](#) [ADTSMW64RV](#) [ADTSMW69NV](#) [FSMRA4JHA04](#) [GS4.70F300QP](#) [D38999/20JJ37SA](#) [TL1105B](#) [TL1105J](#) [ATH447K2Q](#) [ATM534VTR](#) [MJ1215](#)