

## VINYL-INSULATED MALE DISCONNECTORS

**MAXIMUM ELECTRIC CURRENT:**

A.W.G.	22	20	18	16	14	12	10
AMP.	3	4	7	10	15	20	24

**MAXIMUM ELECTRICAL RATING: 75°C 300 VOLTS MAX.**

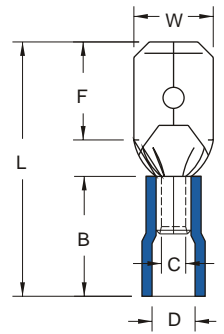
**INSULATION MATERIAL: VINYL      TERMINAL MATERIAL: BRASS**

**INSULATION COLOR:**

22-16 A.W.G.: RED     16-14 A.W.G.: BLUE     12-10 A.W.G.: YELLOW

**TERMINAL BARREL I.D.:**

22-16 A.W.G.: C=1.7mm      16-14 A.W.G.: C=2.3mm      12-10 A.W.G.: C=3.4mm



WIRE RANGE A.W.G. mm <sup>2</sup>	ITEM NO.	NEMA TAB	DIMENSION <sup>inch</sup> / <sub>mm</sub>						CRIMPING TOOL	Q'TY BOX
			W	F	L	B	D	T		
22-16 A.W.G.  0.5-1.5 mm <sup>2</sup>	MDV1-110(5)	.020 × .110 (0.5 × 2.8)	.110 2.8	.256 6.5	.728 18.5	.394 10.0	.157 4.0	.020 0.5	K.S.MODEL KST2000C WITH DIE INDEX COLOR:RED	1000
	MDV1-110(8)	.032 × .110 (0.8 × 2.8)			.748 19.0					.016 0.4
	MDV1-187(5)	.020 × .187 (0.5 × 4.75)	.189 4.8	.264 6.7	.020 0.5					1000
	MDV1-187(8)	.032 × .187 (0.8 × 4.75)								.016 0.4
	MDV1-250	.032 × .250 (0.8 × 6.35)	.250 6.35	.303 7.7	.827 21.0					.016 0.4
16-14 A.W.G.  1.5-2.5 mm <sup>2</sup>	MDV2-110(5)	.020 × .110 (0.5 × 2.8)	.110 2.8	.256 6.5	.728 18.5	.394 10.0	.177 4.5	.020 0.5	K.S.MODEL KST2000C WITH DIE INDEX COLOR:BLUE	1000
	MDV2-110(8)	.032 × .110 (0.8 × 2.8)			.748 19.0					.016 0.4
	MDV2-187(5)	.020 × .187 (0.5 × 4.75)	.189 4.8	.264 6.7	.016 0.4					1000
	MDV2-187(8)	.032 × .187 (0.8 × 4.75)								.016 0.4
	MDV2-250	.032 × .250 (0.8 × 6.35)	.250 6.35	.303 7.7	.827 21.0					.016 0.4
12-10 A.W.G. 4-6 mm <sup>2</sup>	MDV5-250	.032 × .250 (0.8 × 6.35)	.250 6.35	.303 7.7	.945 24.0	.512 13.0	.217 5.5	.016 0.4	K.S.MODEL KST2000C WITH DIE INDEX COLOR:YELLOW	500

## VINYL-INSULATED PIGGY BACK DISCONNECTORS

**MAXIMUM ELECTRIC CURRENT:**

A.W.G.	22	20	18	16	14	12	10
AMP.	3	4	7	10	15	20	24

**MAXIMUM ELECTRICAL RATING: 75°C 300 VOLTS MAX.**

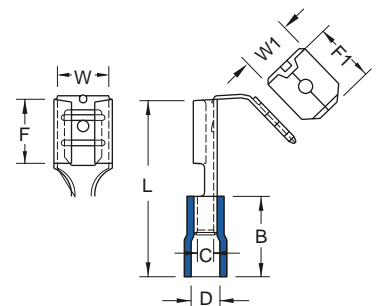
**INSULATION MATERIAL: VINYL      TERMINAL MATERIAL: BRASS**

**INSULATION COLOR:**

22-16 A.W.G.: RED     16-14 A.W.G.: BLUE     12-10 A.W.G.: YELLOW

**TERMINAL BARREL I.D.:**

22-16 A.W.G.: C=1.7mm      16-14 A.W.G.: C=2.3mm      12-10 A.W.G.: C=3.4mm



WIRE RANGE A.W.G. mm <sup>2</sup>	ITEM NO.	NEMA TAB	DIMENSION <sup>inch</sup> / <sub>mm</sub>								CRIMPING TOOL	Q'TY BOX
			W	W1	F	F1	L	B	D	T		
22-16 A.W.G. 0.5-1.5 mm <sup>2</sup>	PBDV1-250	.032 × .250 (0.8 × 6.35)	.260 6.6	.250 6.35	.315 8.0	.323 8.2	.866 22.0	.394 10.0	.157 4.0	.016 0.4	K.S.MODEL KST2000C WITH DIE INDEX COLOR:RED	1000
16-14 A.W.G. 1.5-2.5 mm <sup>2</sup>	PBDV2-250	.032 × .250 (0.8 × 6.35)	.260 6.6	.250 6.35	.315 8.0	.323 8.2	.866 22.0	.394 10.0	.177 4.5	.016 0.4	K.S.MODEL KST2000C WITH DIE INDEX COLOR:BLUE	1000
12-10 A.W.G. 4-6 mm <sup>2</sup>	PBDV5-250	.032 × .250 (0.8 × 6.35)	.260 6.6	.250 6.35	.315 8.0	.323 8.2	.945 24.0	.512 13.0	.217 5.5	.016 0.4	K.S.MODEL KST2000C WITH DIE INDEX COLOR:YELLOW	500

## X-ON Electronics

Largest Supplier of Electrical and Electronic Components

*Click to view similar products for [Terminals](#) category:*

*Click to view products by [K.S Terminals](#) manufacturer:*

Other Similar products are found below :

[00-054007-01074-6](#) [00-054007-70206-1](#) [00-054007-70210-8](#) [00-054007-70217-7](#) [00-054007-70228-3](#) [00-054007-70256-6](#) [00-054007-70316-7](#) [00-054007-49560-4](#) [00-054007-70209-2](#) [00-054007-70231-3](#) [00-054007-70241-2](#) [00-054007-70242-9](#) [00-054007-70246-7](#) [00-054007-70263-4](#) [00-054007-70288-7](#) [00-054007-70290-0](#) [00-054007-70300-6](#) [00-054007-70304-4](#) [01-2900-1-04412](#) [0190160084](#) [0190350008](#) [600TS-10](#) [605601-1](#) [60617-1-C](#) [61314-6-C](#) [626-0194](#) [63-S](#) [M55155/079C01](#) [M55155/099B03](#) [M55155/109H01](#) [M55155/12XH05](#) [M55155/29XJ08](#) [M55155/30-6S](#) [M55155/30-9S](#) [M55155/30XI09](#) [M6-14RSX](#) [M86700006](#) [D18-110B-C](#) [D18-110B-M](#) [701-1936](#) [701-1955](#) [701-2003](#) [701-2007](#) [701-2013](#) [701-2018](#) [701-2069](#) [701-2077-60](#) [701-2315](#) [701-2430](#) [701-2480](#)